

Model RBA4090-750

Materials & Features

Stainless steel angled grab rail meets all requirements of NZS4121 when installed correctly. Snap flange cover conceals fixings. Unit is ambidextrous and can be mounted on either left or right hand side.

Technical Detail

Rail: 32mm [Dia], 304 Satin Stainless Steel
 Fixings: Included



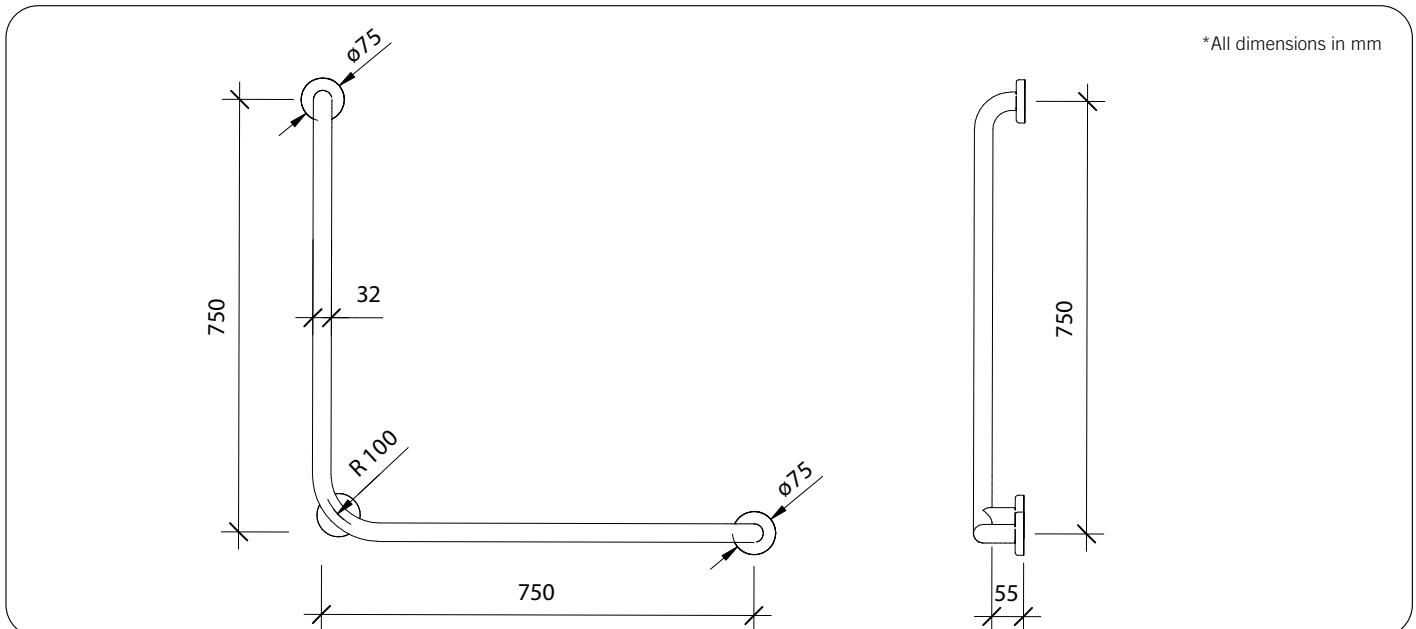
Available Models

RBA4090-750 Angled Grab Rail 90° 750 x 750mm

Related Products

- RBA4110-951** 5 Star Shower T-Rail Kit & Mixer, LH
- RBA4330-001** Tactile Sign, Male WC, 316 Stainless Steel
- RBA4330-002** Tactile Sign, Female WC, 316 Stainless Steel

Important: Grab Rails are no stronger than the anchors or walls to which they are attached and, therefore, must be firmly secured in order to support the loads for which they are intended. **Important:** Installation instructions and current rough-in details should be furnished with each fixture. Do not rough in without certified dimensions. Dimensions are subject to manufacturer's tolerance of +/-10mm.



As improvements in the design and performance of RBA products are continuous, specifications may be subject to change without notice. The illustrations and descriptions herein are applicable to production as of the date of this Technical Data Sheet. Revised 04/22 © 2022 by RBA Group TD/Model RBA4090-750/0922