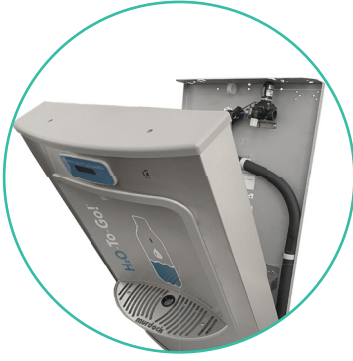


Intuitive break-open design makes installation and maintenance easy.



Easy to read digital bottle counter highlights plastic bottle savings to users and facility owners.

Sensor activation minimises contact and promotes good hygiene.

Low profile design protrudes only 124mm from wall.

Heavy duty, vandal resistant stainless steel body.



Get your H₂O-to-Go!™ with RBA

Need a bottle filler that's just easy?
That's easy to install, easy to use and easy to maintain?

Find out more: rba.com.au/bottle-fillers



*RBA2731-507 Shown

Models RBA2731-507 RBA2731-508

Materials & Features

Manufactured from #304 stainless steel with all exposed surfaces in satin finish and antibacterial impact resistant ABS surfaces. Sensor activated valve with strainer. Perforated drain for hygiene & ease of cleaning. Unit is non-refrigerated, but refrigerated options are available. Suitable for indoor use only.

Technical Detail

Inlet Connection:	G½B
Outlet Connection:	40mm BSP waste [P-Trap included]
Water Pressure:	200 – 500 kPa
Water Temperature:	4 - 30°C
Flow Rate:	3.8 LPM Laminar flow
Power Requirement:	9V [Transformer Included]

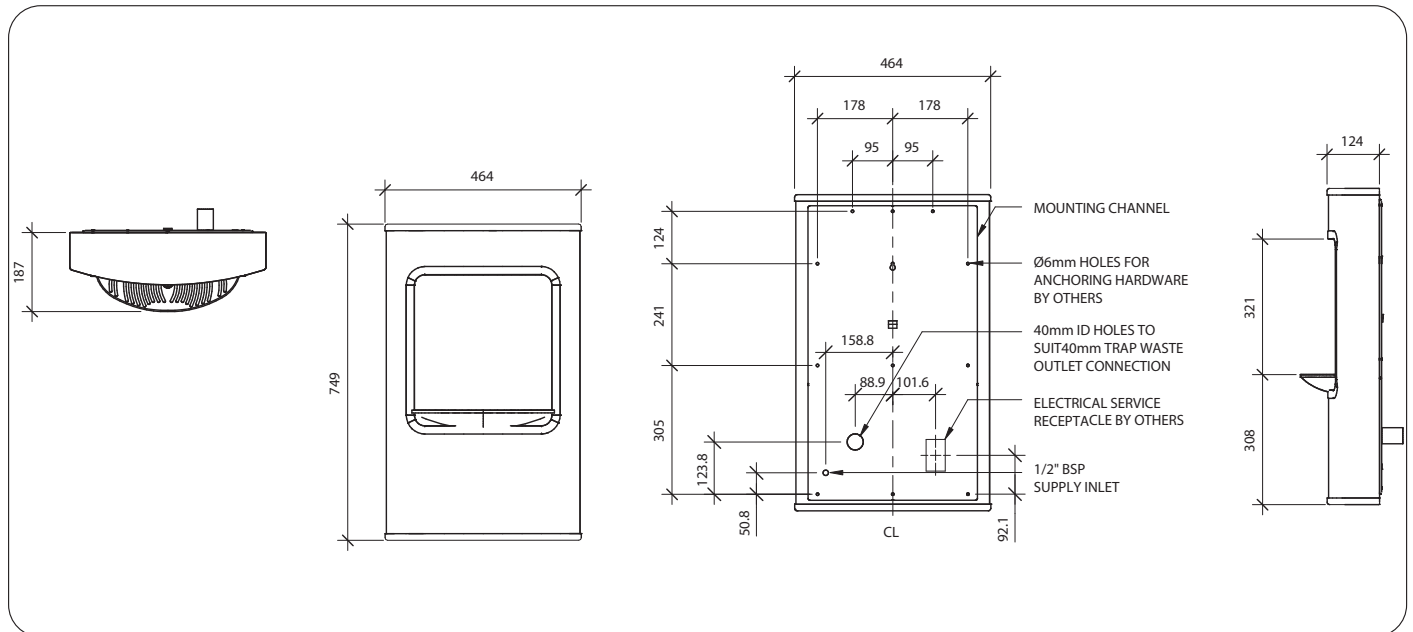
Available Models

- RBA2731-508** H₂O-to-Go!™ Bottle Filler, Sensor
- RBA2731-507** H₂O-to-Go!™ Bottle Filler Sensor and Bottle Counter Display

Related Products

- RBA2731-506** H₂O-to-Go!™ Bottle Filler, Push Button

Important: Installation instructions and current rough-in details should be furnished with each fixture. Do not rough in without certified dimensions. Dimensions are subject to manufacturer's tolerance of +/-10mm.



As improvements in the design and performance of RBA products are continuous, specifications may be subject to change without notice. The illustrations and descriptions herein are applicable to production as of the date of this Technical Data Sheet. Revised 09/22 © 2022 by RBA Group TD/Model RBA2731-507/RBA2731-508/0922