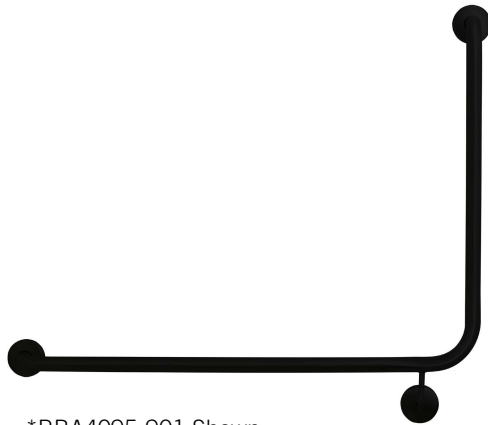


Models RBA4095-901 & RBA4095-911



*RBA4095-901 Shown

Materials & Features

Stainless steel 90° WC grab rail meets the requirements of AS1428.1 when installed correctly. The snap flange cover conceals the fixings.

Technical Detail

| | |
|---------|---------------------------------------|
| Rail | 32mm [Dia], 304 Satin Stainless Steel |
| Fixings | By others |
| Finish | Matte Black |
| SWL | 2000N |

Available Models

- RBA4095-901** 90° Toilet Grab Rail, Left Hand, Matte Black
- RBA4095-911** 90° Toilet Grab Rail, Right Hand, Matte Black

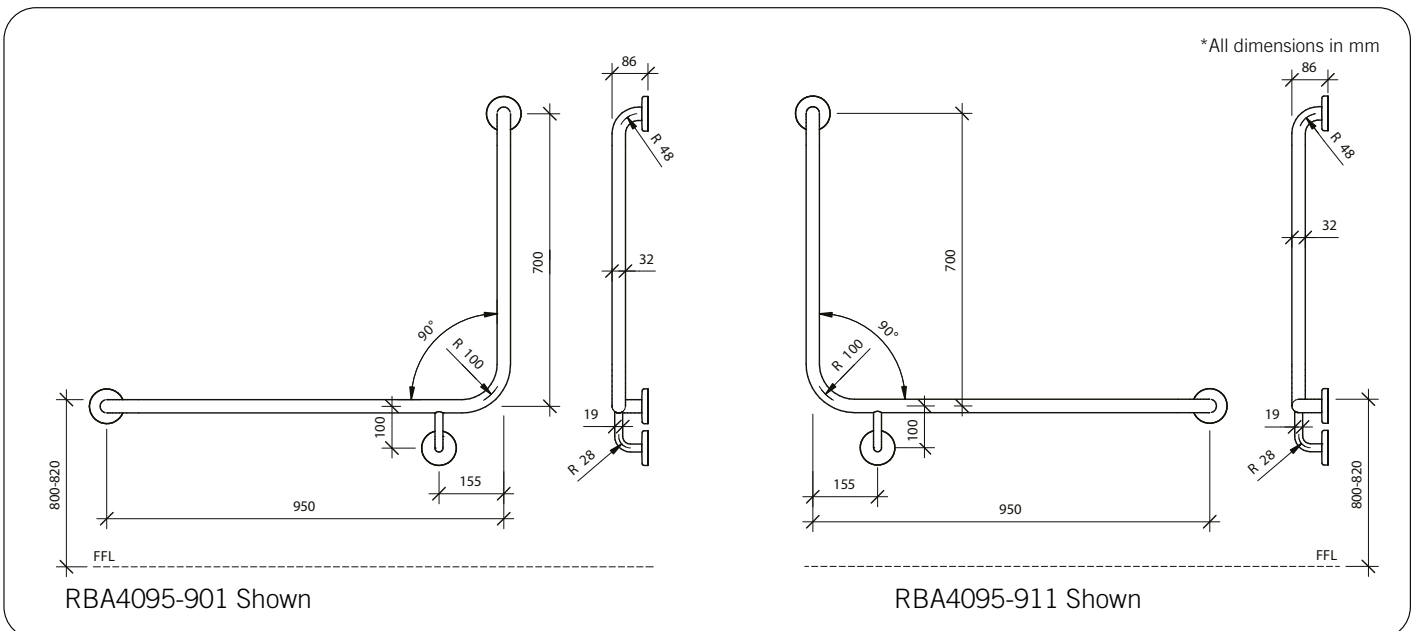
Related Products

- RBA4005-030** Straight Grab Rail, 300mm
- RBA4150-102** Accessible Compliant Backrest, Matte Black

Installation

Warning: Grab rails are no stronger than the anchors or walls to which they are attached and must be firmly secured in order to support the loads for which they are intended. Refer to local codes and Installation Instructions for location of fixing points, method of attachment, etc.

Important: Installation instructions and current rough-in details should be furnished with each fixture. Do not rough in without certified dimensions. Dimensions are subject to manufacturer's tolerance of +/-10mm.



RBA4095-901 Shown

RBA4095-911 Shown

