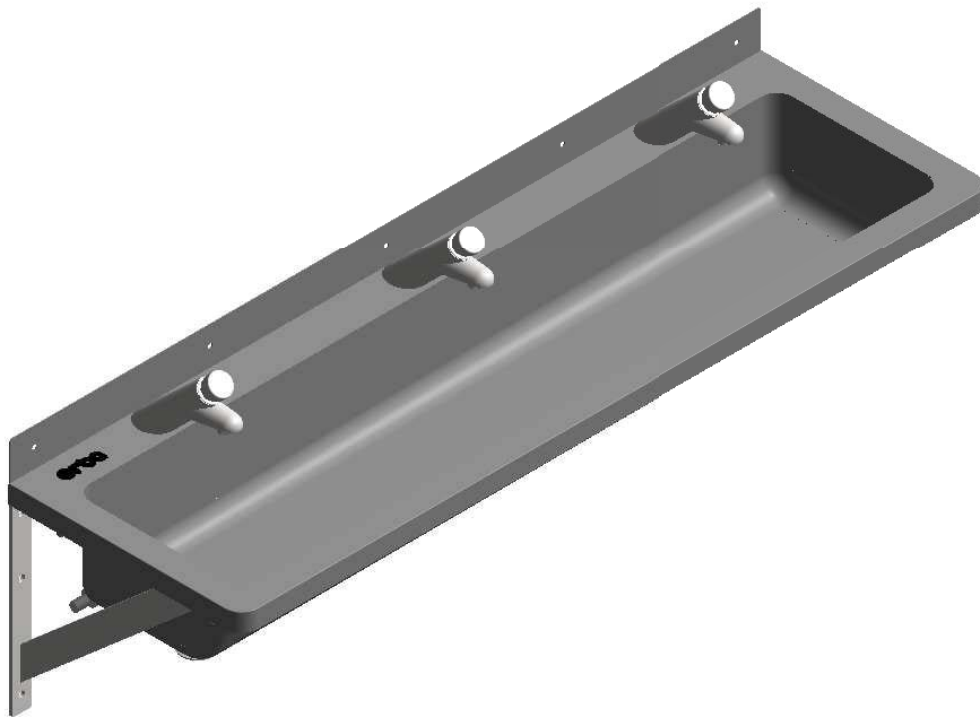


MODEL RBA5503 & RBA5504 Series

RBA5503 Series Lead-Free Pre-Plumbed trough Series | LH
RBA5504 Series Lead-Free Pre-Plumbed trough Series | RH



As improvements in the design and performance of RBA products are continuous, specifications may be subject to change without notice. The illustrations and descriptions herein are applicable to production as of the date of this Installation Instructions Sheet. Revised 12/22 © 2022 by RBA Group ll/Model RBA5503&5504-Series/1222

Components Supplied:

- Stainless Steel RBA Trough
- 50mm Waste Outlet
- Mounting Brackets
- Lead-Free Time Flow Tapware
- Lead-Free Pre-Plumbed assembly
- Tap temperature indicators to be fitted to comply with AS/NZS3718 and in accordance with AS/NZS3500.

Components Supplied by Others:

- 50mm Trap
- Wall fixings

Hydraulic Requirements

Operating Pressure:	Min: 200kPa Max: 500kPa
Inlet Connection:	G½B inlet connection
Outlet Connection:	50mm BSP Waste connection
Water Temperature:	4 - 30°C
Docol Tap Flow Time:	3-10 seconds [not adjustable]

Pre-Installation

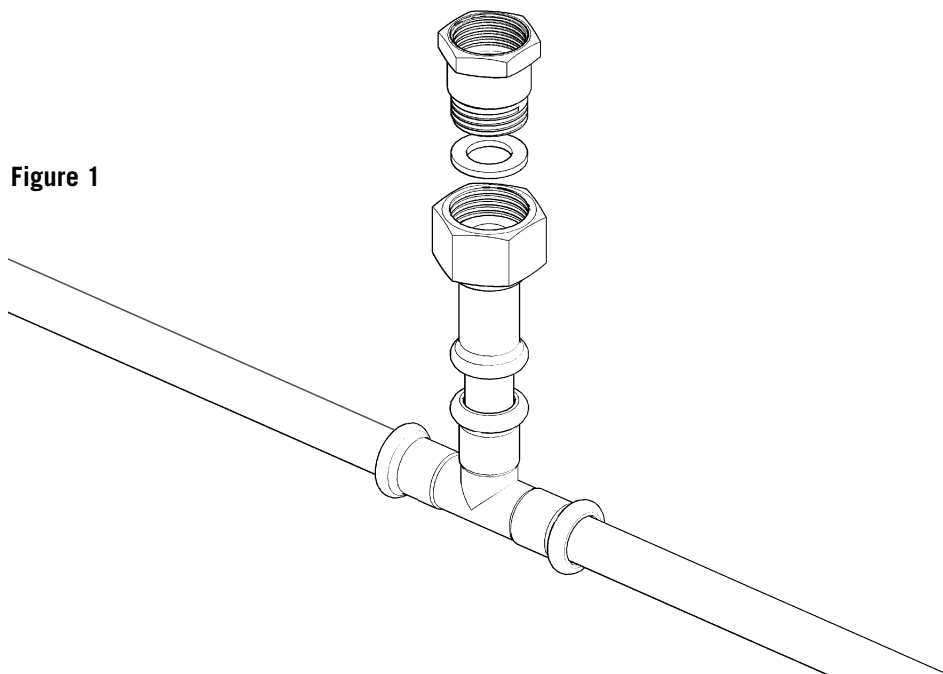
Installation should be in accordance with AS/NZS3500, the PCA, along with local authority and any other applicable statutory requirements as well as these instructions. The drinking fountain is “wall mounted” and should preferably be fixed to a masonry wall with suitable wall anchors.

RBA5503 & RBA5504 Lead-Free Pre-Plumbed Trough Series

Manufactured from stainless steel with all exposed surfaces in satin finish. Accommodates multiple users and is easy to install with only one water inlet and one waste outlet. Unit is pre-plumbed with Lead-Free waterpath and tapware. Suitable for education, site sheds and any high traffic installation. Tapware can be selected to offer hand wash or bottle filler options. Meets the requirements of VSBA, EFSG, AS1428.1 and RAIA Design Guide for Drinking Fountains and Water Filling Points, when mounted correctly.

Installation

1. Check site drawing for mounting heights and details to remove any debris
2. Place the unit in the required location and mark up fixing locations.
3. Fit off the wall mounting brackets to their correct position [Note: Wall anchors supplied by others]
4. Secure the trough to the wall mounting brackets.
5. Flush the water supply line to remove debris before connecting the pre-plumbed water supply pipework.
6. Fit off the pre-plumbed piping assembly to the pre-fitted tapware.
[Note: For trough models with three wall mounting brackets care must be taken to position the pipework through the centre wall mounting bracket]
7. Complete the connections to the tapware ½” Male Tails.
8. Connect the inlet water supply to the trough pipework.
9. Turn on the water supply and check for leaks.
10. Fit appropriate coloured indicator to the handle.



Assembly Union Disassembly

1. Remove the 1/2” M x F connector from the 1/2” loose nut
2. Remove the sealing washer

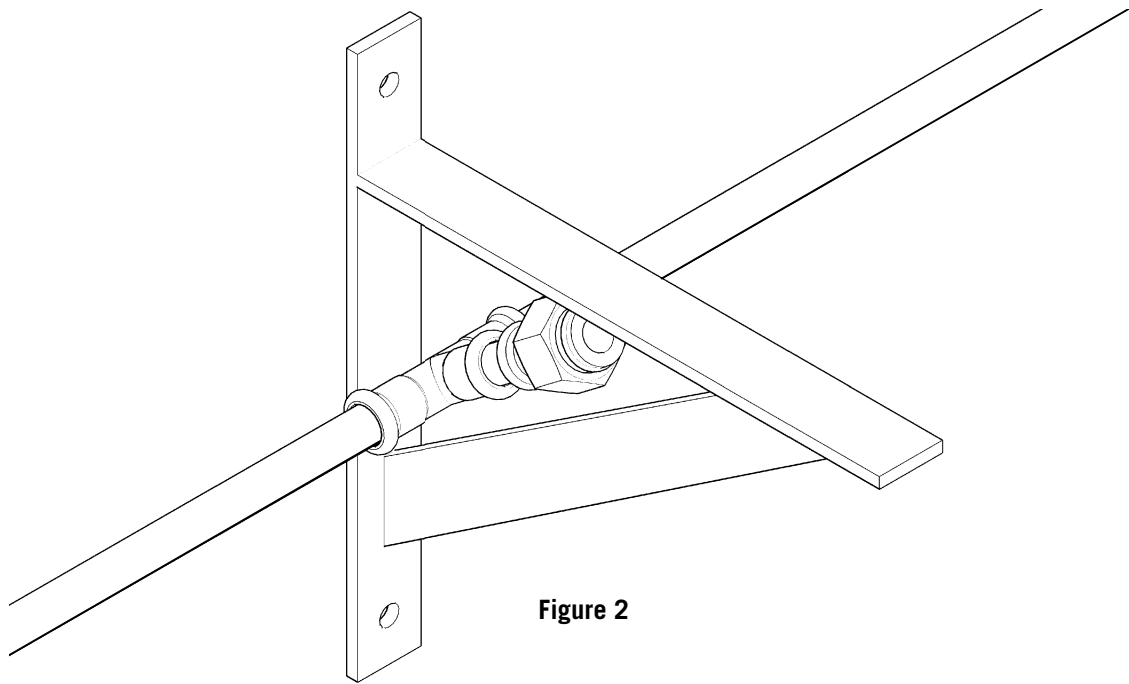


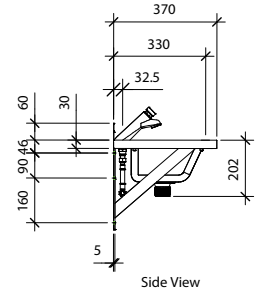
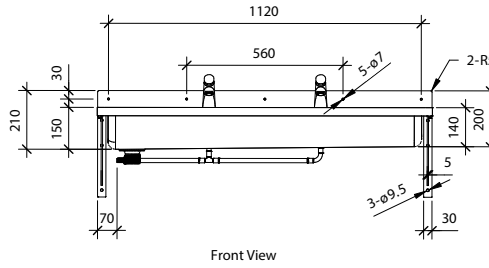
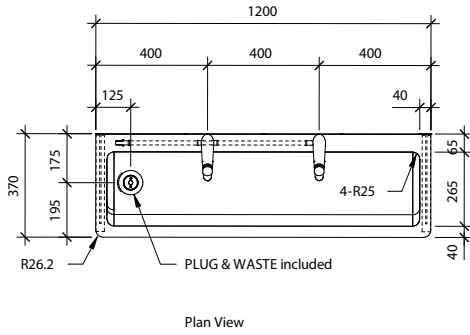
Figure 2

Bracket Pipework Fed Through Centre Mounting Bracket

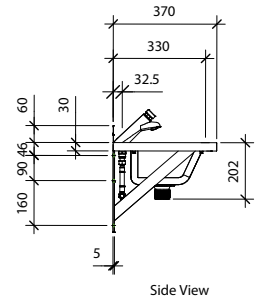
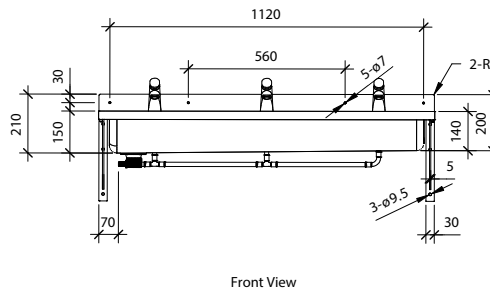
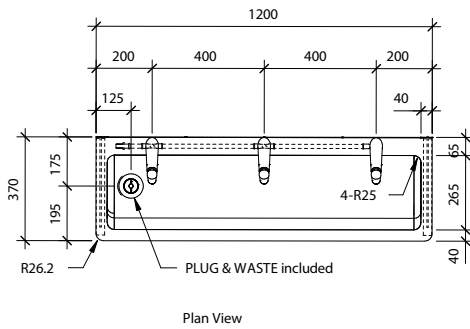
1. Refer to Assembly Union Disassembly. See Figure 1
2. Feed pipework and loose nut union through the mounting bracket as shown
3. Align the pipework for connection to the 1/2" Male Tail of each Tap
4. Replace sealing washer into loose nut union
5. Connect the 1/2" M x F connector to the 1/2" Male Tail of the tap. Use a suitable sealing tape or thread sealant
6. Tighten the 1/2" loose nut onto the 1/2" Male connector ensuring the sealing washer is in place

Dimensions - RBA5503 - Series

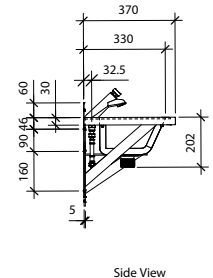
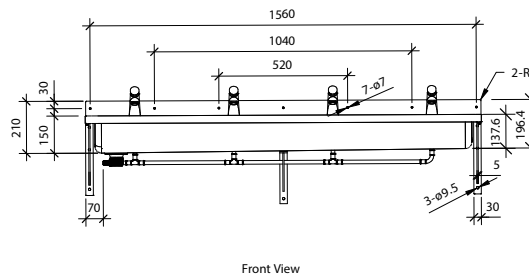
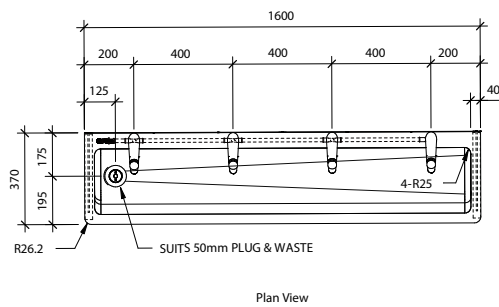
RBA5503-120-452



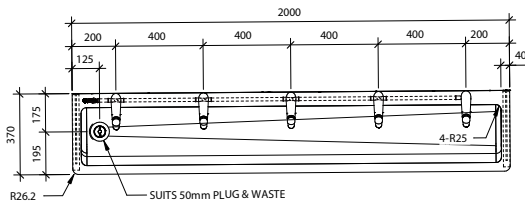
RBA5503-120-453



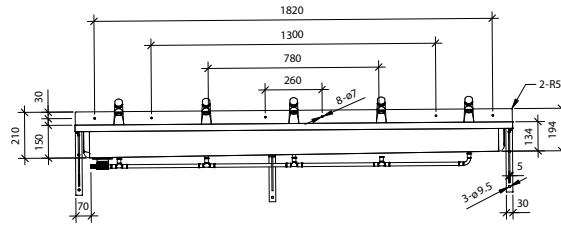
RBA5503-160-454



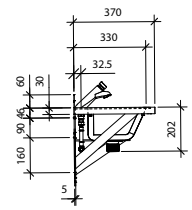
RBA5503-200-455



Plan View

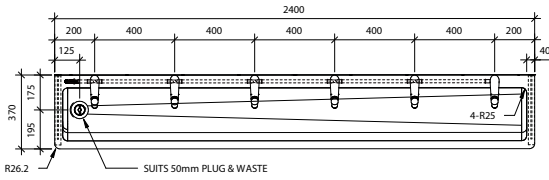


Front View

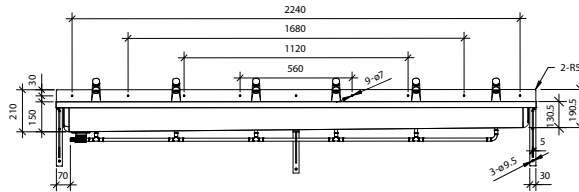


Side View

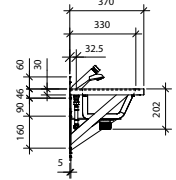
RBA5503-240-456



Plan View



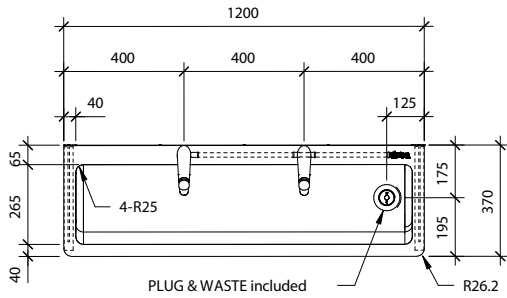
Front View



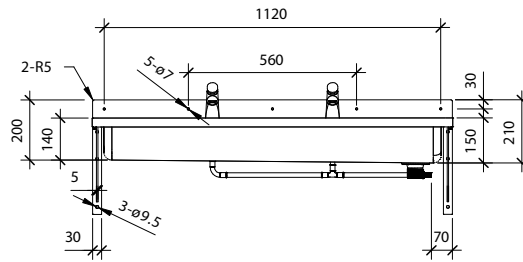
Side View

Dimensions - RBA5504 - Series

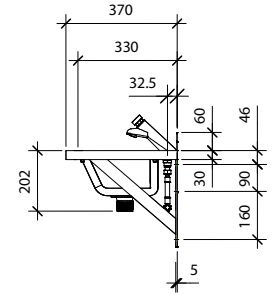
RBA5504-120-452



Plan View

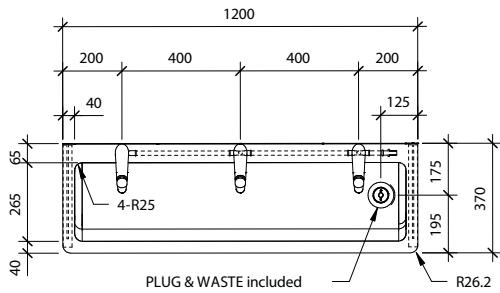


Front View

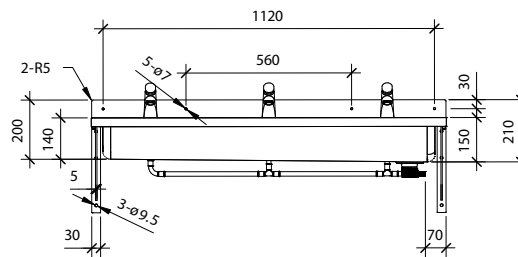


Side View

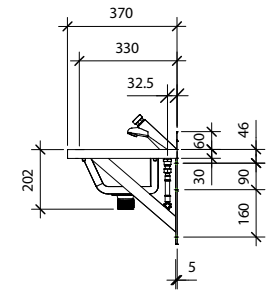
RBA5504-120-453



Plan View

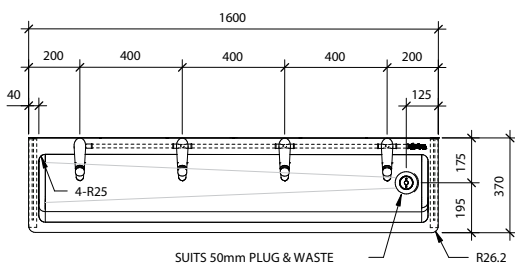


Front View

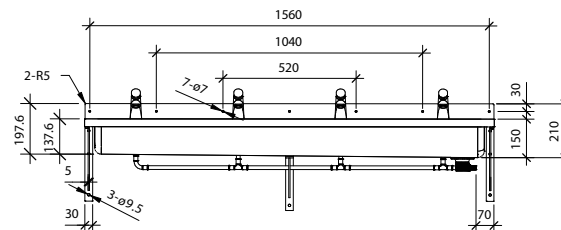


Side View

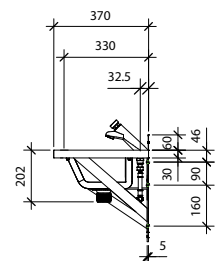
RBA5504-160-454



Plan View

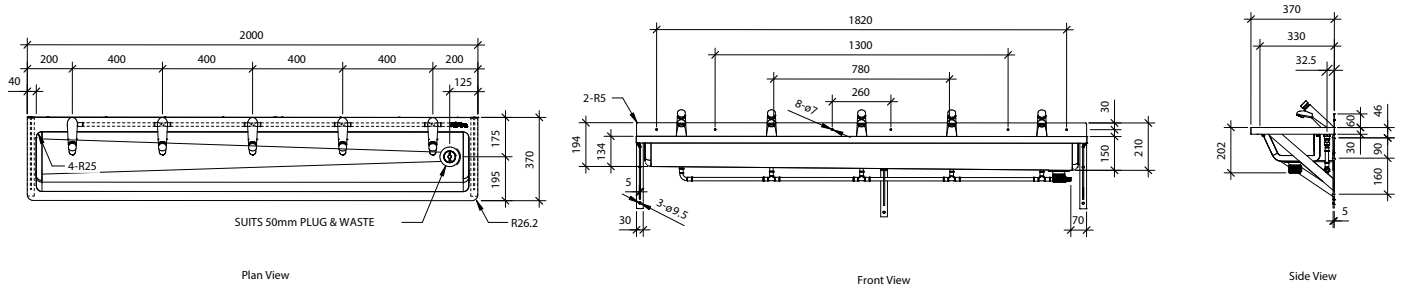


Front View

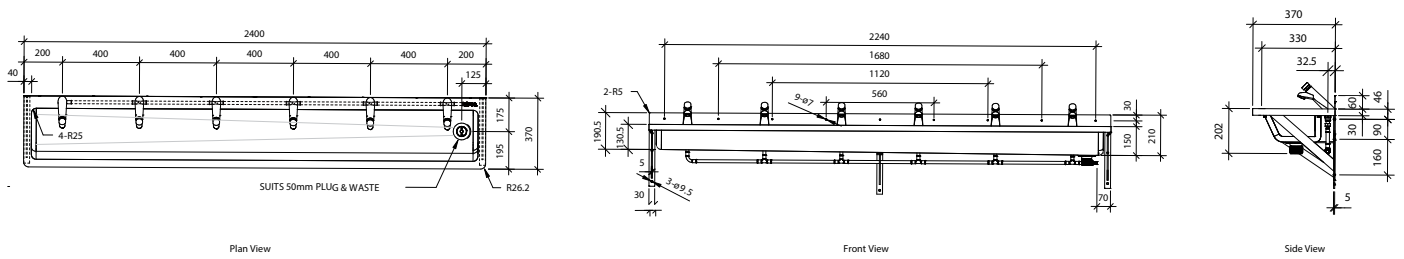


Side View

RBA5504-200-455



RBA5504-240-456

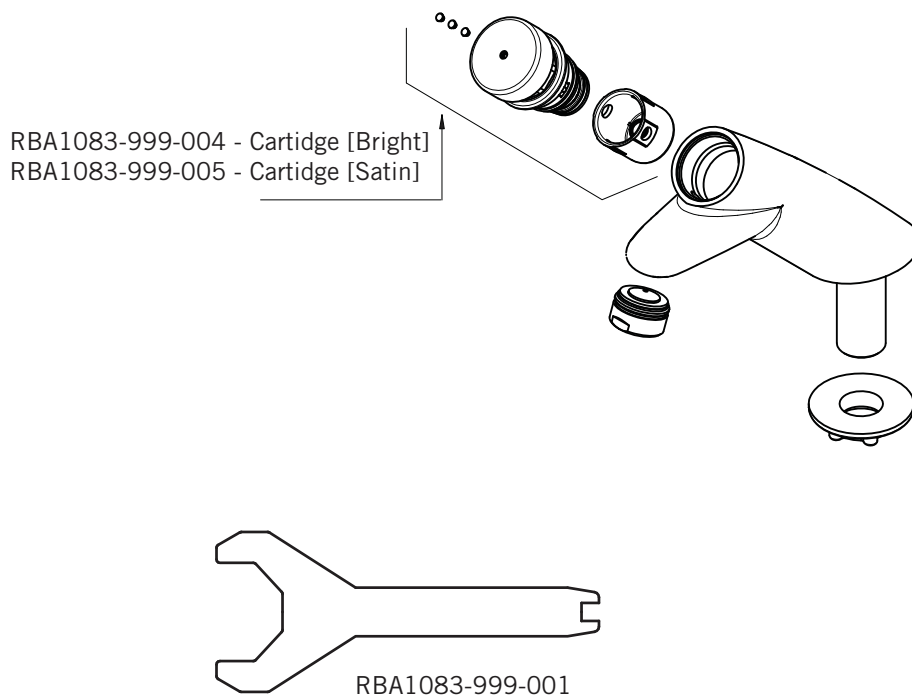


Troubleshooting

Problem	Probable Cause	Solution
No flow or low volume	Water turned off Water outlet blocked	Turn on Remove and clean*
Water flows continuously or Short/ long flow time	Cartridge blocked with dirt Cartridge damaged	Remove and clean* Replace the cartridge*
Leak under cartridge	Cartridge damaged	Replace the cartridge*

*To remove the aerator and cartridge, use the Spanner Key [Not supplied with the pillar cock]

Spare Parts



RBA Code No.	Description
RBA1083-999-005	Replacement tap cartridge - Satin
RBA1083-999-001	Cartridge Spanner
RBA1083-607	Replacement tap complete: Lead-Free satin finish SS 5Lpm 6 Star WELS

Note: This product should be installed, by suitably qualified persons, in a fit for purpose application, to suitable materials, using suitable fixings and comply with any relevant codes. It should be inspected periodically for signs of wear and tear that may affect performance or safety.

Dimensions are subject to manufacturer's tolerance of +/-10mm. Rough-in should be completed with each fixture.

Important: Installation Instructions are subject to change without notice.

Please visit **our websites** for latest revision.

