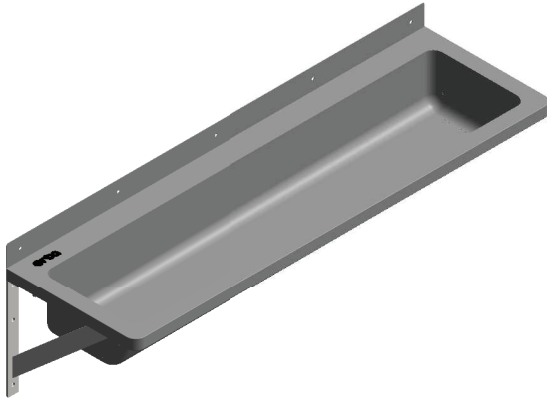


Model RBA5501-Series



Materials & Features

Manufactured from stainless steel with all exposed surfaces in satin finish. Accommodates multiple users and is easy to install with only one waste outlet. Can be site drilled to suit either wall or basin mounted tapware.

Technical Detail

Basin and Housing:	1.2mm, type 304 Stainless Steel
Outlet Connection:	50mm BSP waste, supplied
Brackets:	5.0mm, type 201 Stainless Steel, supplied
Trap:	By others

Available Models

RBA5501-120	1200mm Hand Wash & Bottle Filler Trough, LH
RBA5501-160	1600mm Hand Wash & Bottle Filler Trough, LH
RBA5501-200	2000mm Hand Wash & Bottle Filler Trough, LH
RBA5501-240	2400mm Hand Wash & Bottle Filler Trough, LH

Related Products

RBA5502-Series	Hand Wash & Bottle Filler Troughs, RH
RBA5503-Series	Lead-Free Pre-plumbed Hand Wash & Bottle Filler Trough, LH
RBA5504-Series	Lead-Free Pre-plumbed Hand Wash & Bottle Filler Trough, RH

Important: Installation instructions and current rough-in details should be furnished with each fixture. Do not rough in without certified dimensions. Dimensions are subject to manufacturer's tolerance of +/-10mm.

