

Model RBA4110-950



Materials & Features

Set consists of a wall mounted Stainless Steel rail complete with lever mixer, slider, handset and 1.5m hose, with wall connection [includes backflow prevention]. Grab rail is accessible compliant when installed in accordance with AS1428.1-2009.

Technical Detail

Rail:	#304 Stainless Steel, Satin, 32mm Dia
Hose:	1.5m
Inlet Connection:	DN 15mm [1/2"] BSP Includes backflow prevention
Water Pressure:	150-500 kpa
Water Temperature:	50°C Maximum
Flow Rate:	6.0 LPM
WELS:	5 Star
WELS Reg. Number:	S14913

Available Models

RBA4110-950 5 Star Shower T-Rail Kit & Mixer, Right Hand

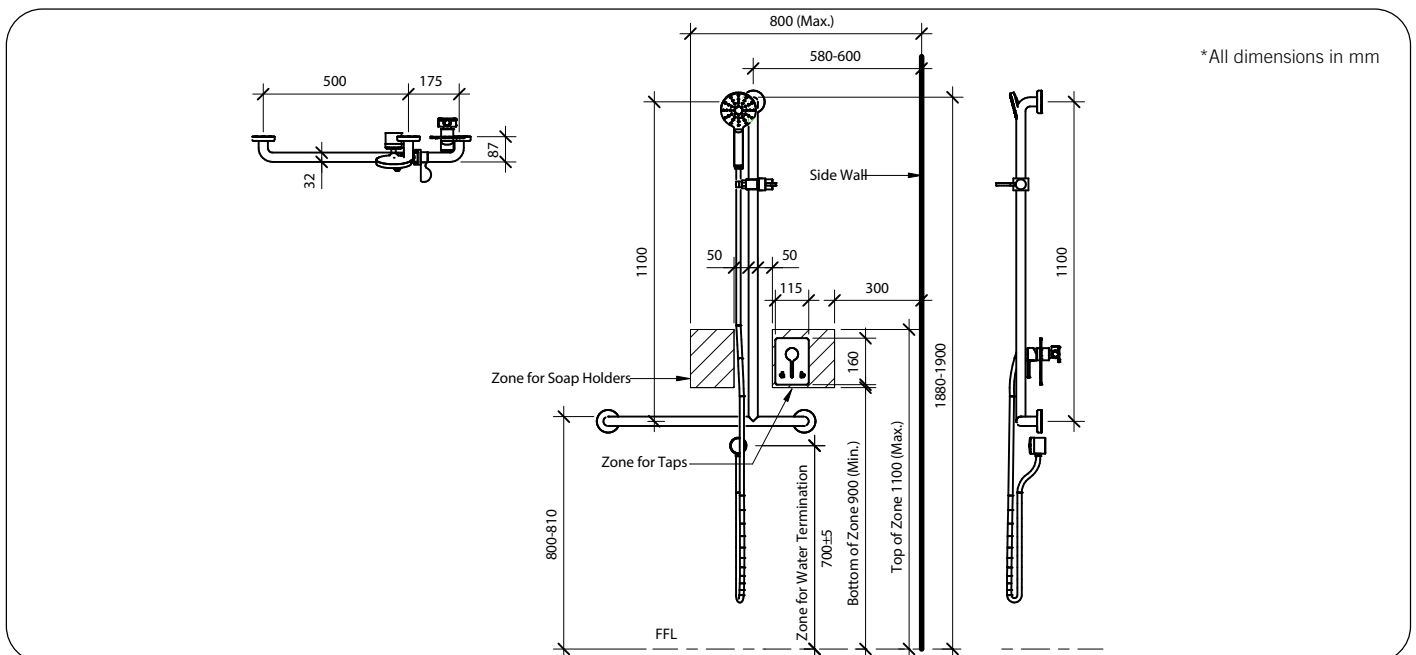
Related Products

RBA4110-951 5 Star Shower T-Rail Kit & Mixer, Left Hand

Installation

Warning: Grab rails are no stronger than the anchors or walls to which they are attached and must be firmly secured in order to support the loads for which they are intended.

Note: For Australia, Installation shall be in accordance with the PCA [Plumbing Code of Australia] and any relevant local authority requirements.
Important: Installation instructions and current rough-in details should be furnished with each fixture. Do not rough in without certified dimensions. Dimensions are subject to manufacturer's tolerance of +/-10mm.



As improvements in the design and performance of RBA products are continuous, specifications may be subject to change without notice. The illustrations and descriptions herein are applicable to production as of the date of this Technical Data Sheet. Revised 07/21 © 2022 by RBA Group TD/Model RBA4110-950/0722