

## Model RBA1882-100-503 White Plate

### Materials & Features

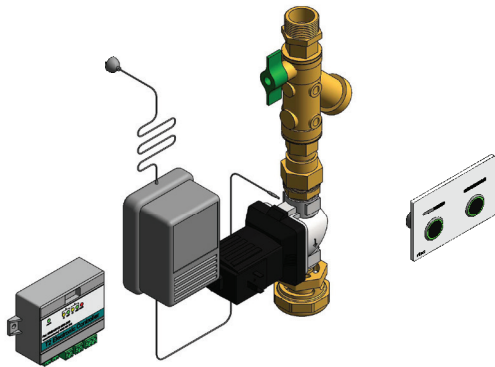
Wave-n-Go™ activated mains pressure dual flush valve for WELS 6/3L and 4.5/3L WC applications. Supplied complete with integrated isolating ball valve and strainer, electronic flush valve, Wave-n-Go™ Sensors and vacuum breaker. Watermark certified for direct connection to the drinking water supply. A range of standard and custom stainless steel face plates are available to suit commercial installations.

### Electrical Detail

Temperature Range:	5° C - 55° C
Solenoid Cable:	2M x 32/0.20ELCF2810 1.00mm2
Transformer:	240VAC/24VAC, 2 AMP incl. 2M cable
Controller:	85mm [W] x 65mm [H] x 33mm [D] Mains power
Supply:	By Others

### Hydraulic Detail

Inlet Connection:	DN 25mm min.
Outlet Connection:	DN 40 to suit DWV
Water Supply Pressure:	300kPa min – 500kPa max.
Flush Pipe:	DN40 (Supplied by others)
Flush Volume:	WELS 3 Star 6/3L or 4 Star 4.5/3L
Electrical:	24V AC
Flow Rate:	Nominal 1.4 LPS



### Available Models

**RBA1882-100-503**

Wave-n-Go™ Touch-Free Dual Flush Valve Incl Small White Mounting Plate

### Related Products

**RBA1882-100**

Flush Valve Bare

**RBA1882-100-501**

Wave-n-Go™ Touch-Free Dual Flush Valve Incl Large Mounting Plate

**RBA1882-100-502**

Wave-n-Go™ Touch-Free Dual Flush Valve Incl Small Mounting Plate

**RBA1882-100-505**

Wave-n-Go™ Dual Flush Valve Incl Small Black Mounting Plate

**RBA1882-100-507**

Wave-n-Go™ Touch-Free Dual Flush Valve to AS1428.1

**RBA1882-100-508**

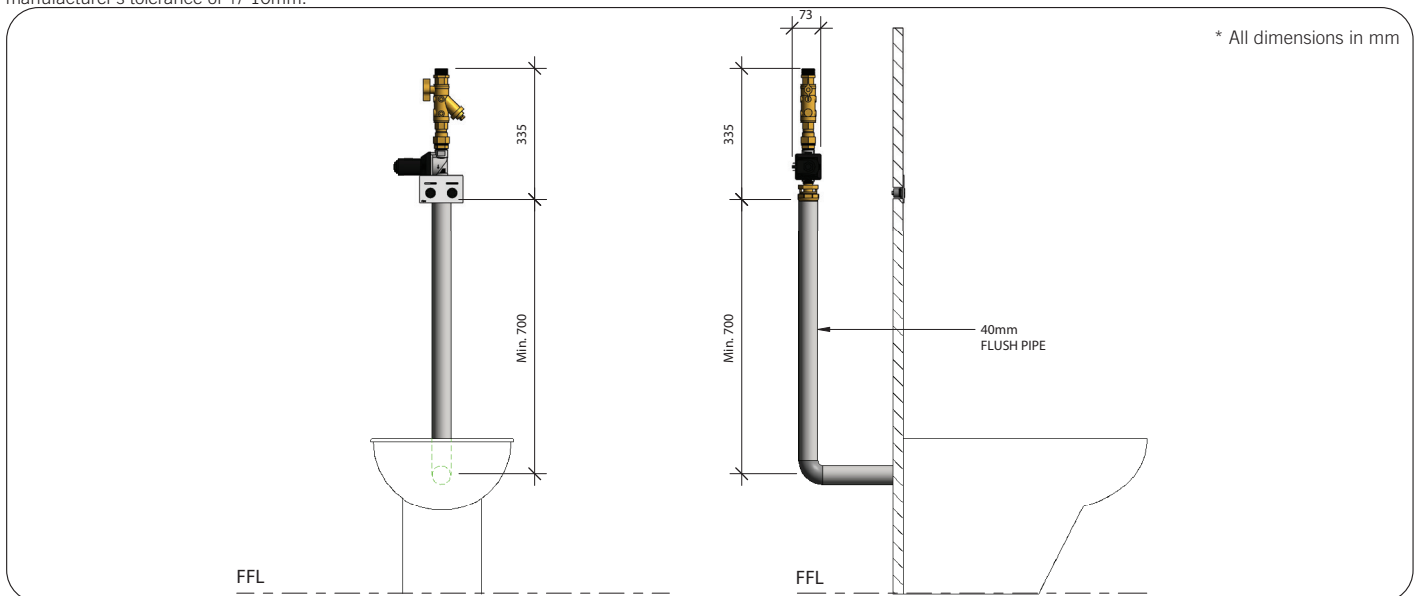
Wave-n-Go™ Touch-Free Dual Flush Valve Incl Indicator Rings, No Plate, Tile Fixed

### Installation

All water services supplying the valve shall be hydraulically calculated in accordance with the Plumbing Code of Australia and AS/NZS3500.

Recommendation that only 1 x 90° bend be used. 2 x 45° bends may be installed in lieu of the 90° bend. Unless otherwise specified, the flush valve shall be pre-set to deliver WELS 3 Star 6/3L It is recommended that a distance of 700mm +/- 100mm between the outlet of the vacuum breaker and the centre line of the flush pipe connected to the WC pan inlet be maintained for optimum performance. (Min. distance is 450mm as per AS/NZS3500) 240v Mains Supply for the connection of 24V AC Transformer for each flush valve. **Valve intended for vertical installation only**

**Important:** Installation instructions and current rough-in details should be furnished with each fixture. Do not rough in without certified dimensions. Dimensions are subject to manufacturer's tolerance of +/-10mm.



**Wave-n-Go™**  
Touch-Free Sensor



As improvements in the design and performance of RBA products are continuous, specifications may be subject to change without notice. The illustrations and descriptions herein are applicable to production as of the date of this Technical Data Sheet. Revised 04/21 © 2021 by RBA Group TD/Model Model RBA1882-100-503/0421

**SYDNEY | MELBOURNE | BRISBANE | PERTH | AUCKLAND**

Australia 1300 788 778 www.rba.com.au | New Zealand 0800 722 111 www.rbagroup.co.nz