



# Security Basin | Wall Mounted

Models RBA8880-100



## Materials & Features

Manufactured from stainless steel with all exposed surfaces in satin finish. Trap is fully enclosed. Rear fixed option available on request. Fully concealed fixings. Radiused corners and tapware for ligature & vandal resistance. Tapware included.

## Technical Detail

Basin and Housing:	1.6mm, type 304 Stainless Steel
Trap:	40mm Iplex low level 'P' trap (by others)
Waste Connection:	40mm BSP waste
Tap Outlet:	6 star WELS, Satin Stainless Steel Timed Flow
Tap Inlet:	15mm BSP [1/2"]
Flow Time:	5-60 seconds [adjustable] Factory set 45 sec
Fixings:	By others

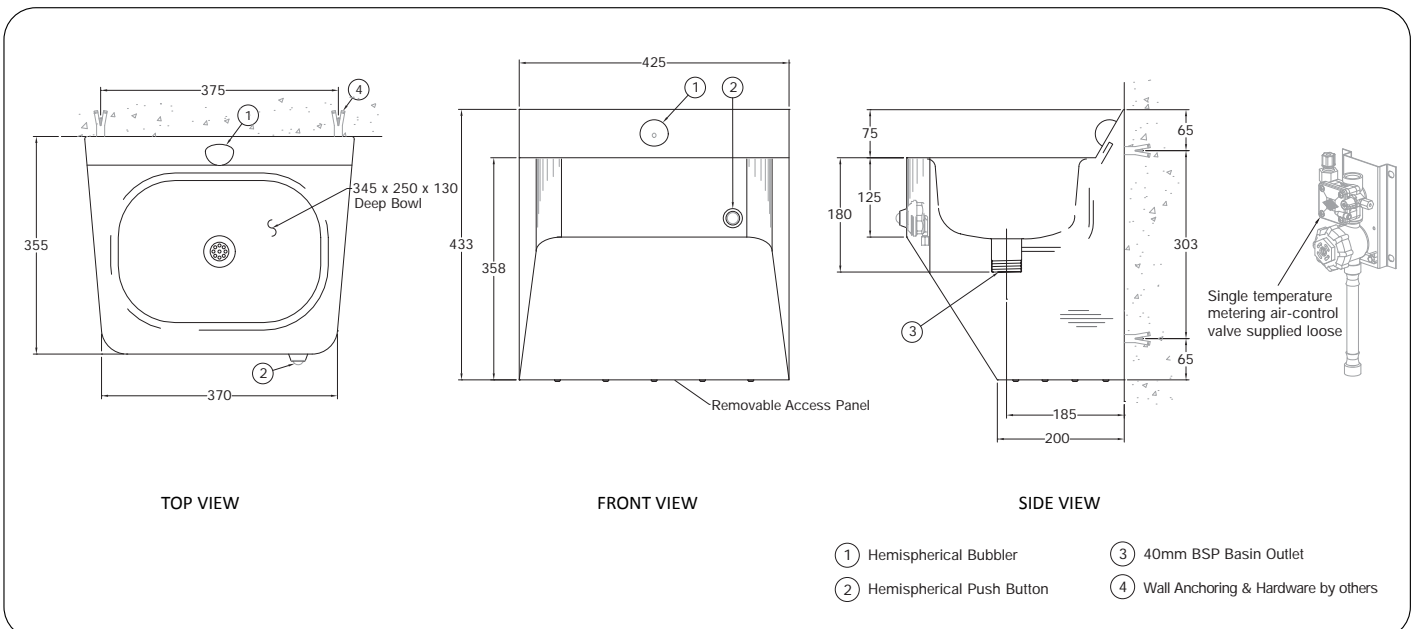
## Available Models

<b>RBA8880-100</b>	Wall Mounted Security Basin
<b>RBA8880-777-002</b>	Wall Mounted Security Basin, EnviroGlaze® White

## Related Products

<b>RBA8519-100</b>	Security Shower Set
<b>RBA8847-428</b>	Accessible Compliant Stainless Steel Toilet Suite with Seat
<b>RBA1055-530</b>	Security Time Flow Shower Valve

**Important:** Installation instructions and current rough-in details should be furnished with each fixture. Do not rough in without certified dimensions. Dimensions are subject to manufacturer's tolerance of +/-10mm.



As improvements in the design and performance of RBA products are continuous, specifications may be subject to change without notice. The illustrations and descriptions herein are applicable to production as of the date of this Technical Data Sheet. Revised 05/20 © 2020 by RBA Group TD/Model RBA8880-100/0520