



VANDAL-RESISTANT SURFACE MOUNTED SOAP DISH



RBA8136-100 SURFACE MOUNTED SOAP DISH [FRONT FIXED]

Materials & Features

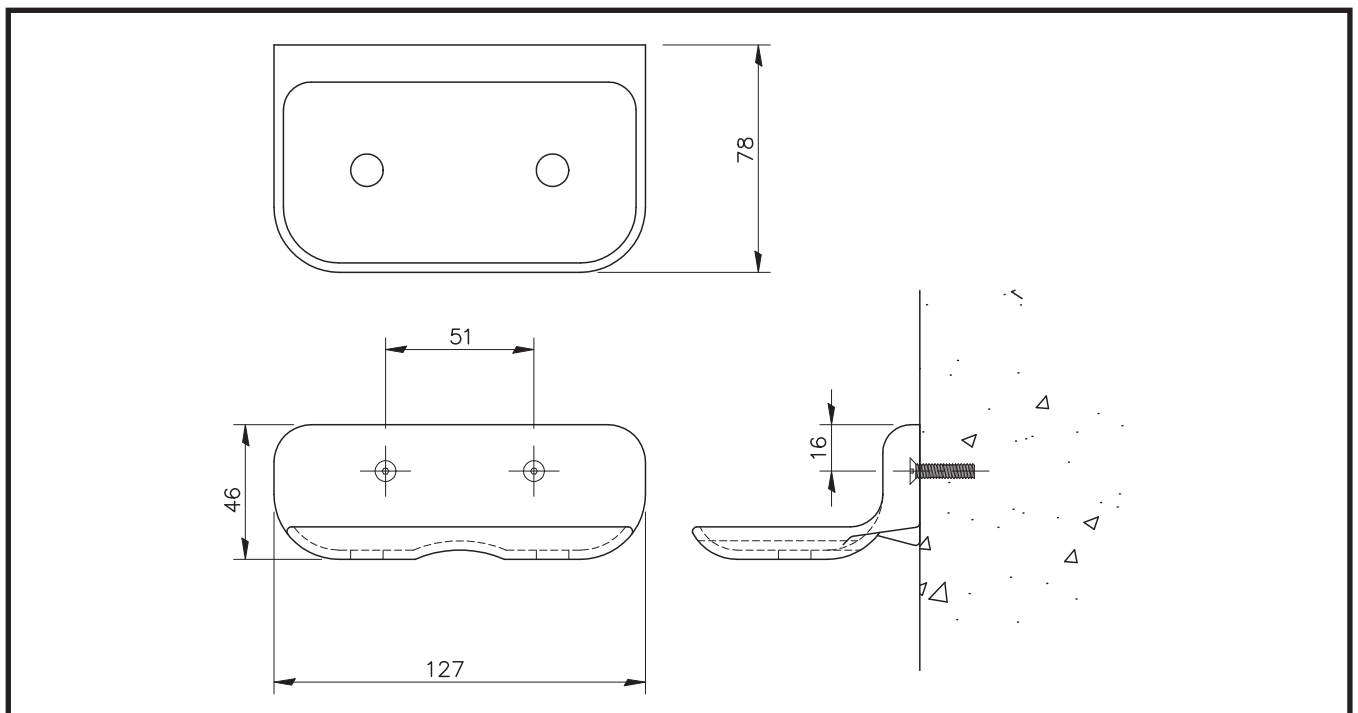
Constructed of extra heavy-duty cast bronze with bright polished, chrome-plated finish. Two drain-holes and raised centre for self-draining.

Installation

Ensure wall construction is suitable to support the unit.

Countersunk drill-holes to accommodate wall fixings. Furnished with tamper-resistant screws. For front fixing only.

Important: Installation instructions and current rough-in details should be furnished with each fixture. Do not rough in without certified dimensions. Dimensions are subject to manufacturer's tolerance of +/-10mm.



As improvements in the design and performance of RBA products are continuous, specifications may be subject to change without notice. The illustrations and descriptions herein are applicable to production as of the date of this Technical Data Sheet. Revised 07/11 Printed in Australia © 2011 by RBA Group TD/Model RBA8136-100/0711