

STAINLESS STEEL FRAMED MIRROR



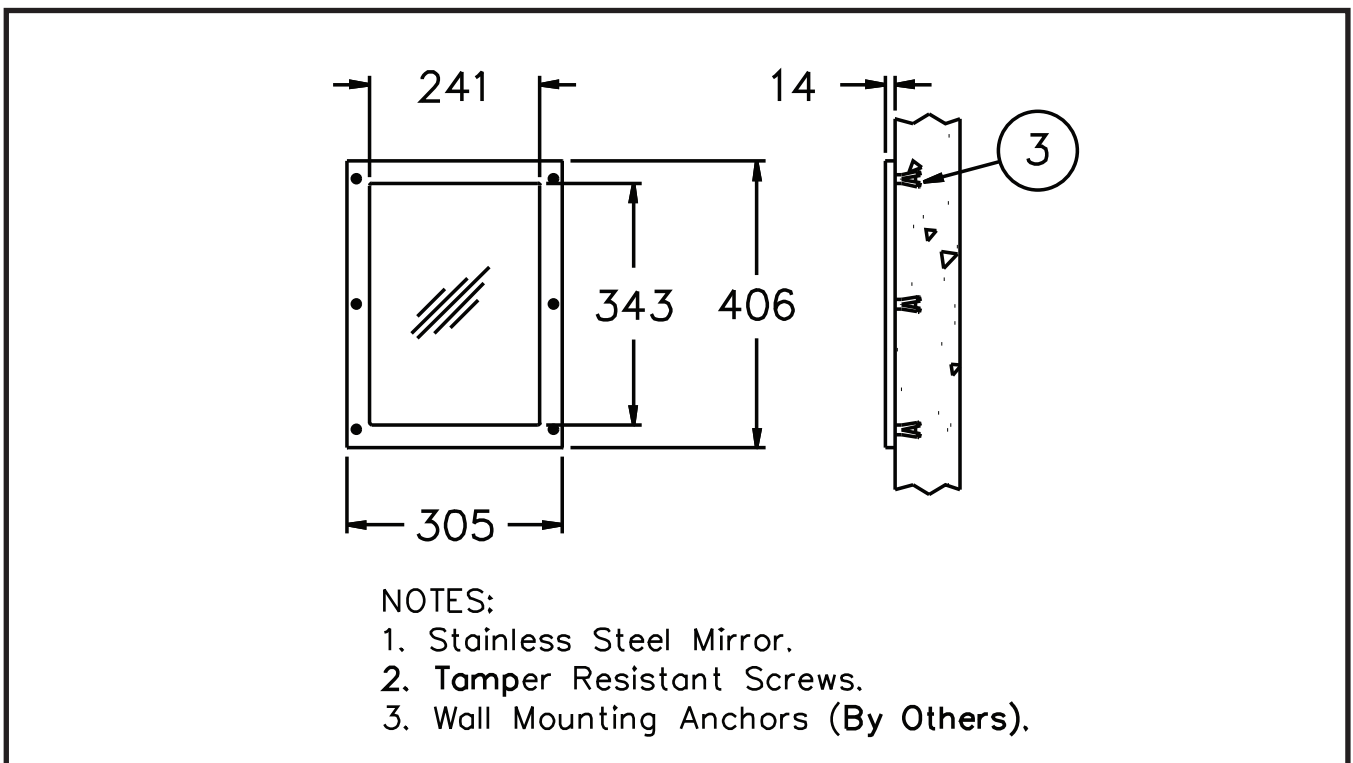
Description

The RBA Framed Mirror is designed for use in all areas where Mirrors are subject to breakage and theft. Model RBA8110-100 Framed Mirror is front mounted. Mirror features a seamless heavy gauge, type 304 stainless steel frame. Frame is polished to a satin finish. Mirror frame has countersunk screw holes and is furnished with six 1/4" tamper-resistant screws. Wall plugs by others.

Installation

Stainless Steel Mirror is standardly furnished for all mirrors. It is reinforced with 1/2" thick masonite backing. Mirror is type 400 stainless steel polished to a mirror finish.

Options: Specify - 100 for Fixed Front
 - 144 for Rear Fixed



As improvements in the design and performance of RBA products are continuous, specifications may be subject to change without notice. The illustrations and descriptions herein are applicable to production as of the date of this Technical Data Sheet. Revised 07/11 Printed in Australia © 2011 by RBA Group TD/Model RBA8110-100/0711