

INSTALLATION, OPERATION AND MAINTENANCE INSTRUCTIONS



Stainless Steel Toilet | Ambulant S-Trap

RBA8851-156



Model	Bariatric Toilet
Date	07/11/18

Supersedes all previous

Components

“S” Trap Stainless Steel Pan

Security bit

“S” Clip

Pre-installation

Installation should be in accordance with local authority and statutory requirements, and as per these installation instructions.

Pan is “wall faced” and should be fixed with suitable wall anchors provided by others.

Flushing device should be –

Caroma Invisi II (Inceiling mount recommended)

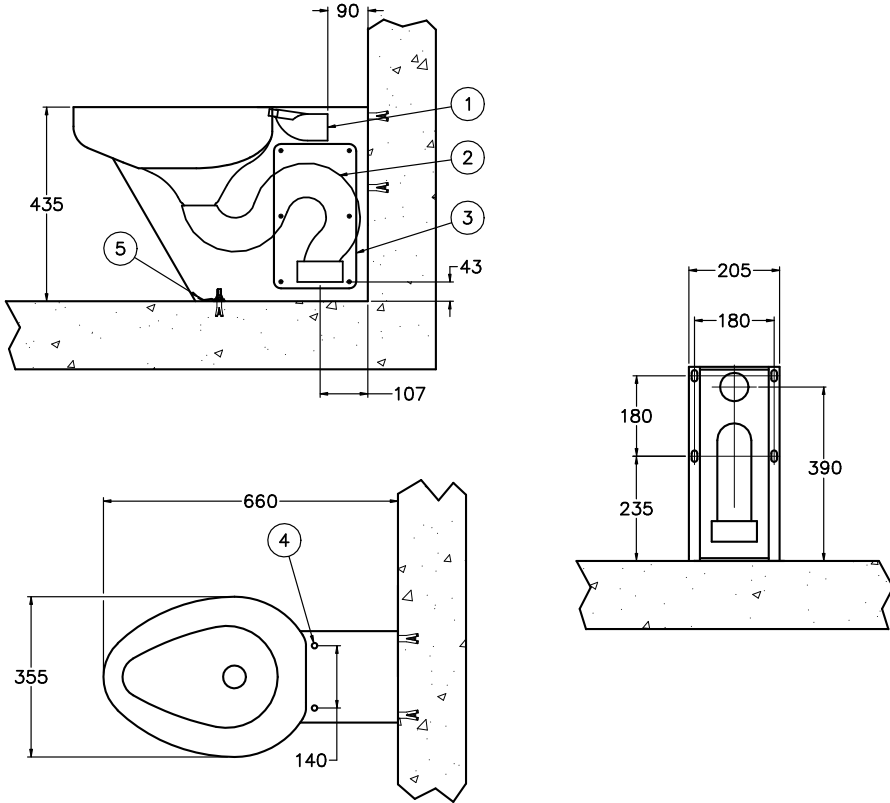
To meet AS1428.1-2009 this unit is 460mm high when installed with optional seat (order separately), alternatively for secure installations with no hinged seat unit should be built up to 460mm.

Installation

1. If not pre-formed, make sufficient penetrations through the wall and floor, as determined from the drawing, to allow the 100 mm waste pipe, 50 mm flush pipe, and, if necessary, 12 mm fixing rods to pass through. If front fixed, suitable wall anchors applied by others.
2. Fit a 100 mm pan collar to the outlet with sufficient 100 mm pipe, location of floor penetration should be determined from the drawing.
3. Similarly fit a 50 mm keyseal to the pan inlet with sufficient pipe, as provided by the cistern manufacturer, to extend through the wall.
4. Push the pan into position, and secure the pan to the wall.
5. Make the necessary connections to the waste, and install the cistern and connect according to the manufacturers instructions.
6. Check for leaks and correct flush volumes, 6 litres full flush and 3 litres half flush.
7. If supplied, fit the seat to pre-drilled holes and replace the access panels. Seat must be ordered separately.

INSTALLATION, OPERATION AND MAINTENANCE INSTRUCTIONS

Installation



- ① 55mm ID Flush Inlet; Keyseal or Gasket Provided by Others.
- ② 100mm OD Waste Outlet. Back Outlet S-Trap.
- ③ Access Panels – Both Sides of Toilet Housing.
- ④ 12mm Holes w/ Plugs
- ⑤ Concealed S-Clip

