

MODELS

AMBULANT TOILET SUITE

RBA8847-156

Ambulant Toilet Suite S-Trap with Seat

RBA8847-157

Ambulant Toilet Suite P-Trap with Seat



*RBA8847-157 Shown



As improvements in the design and performance of RBA products are continuous, specifications may be subject to change without notice. The illustrations and descriptions herein are applicable to production as of the date of this Installation Instructions Sheet. Revised 07/22 © 2022 by RBA Group II/Model RBA8847-156-RBA8847-157/0722

Description

Unit is highly vandal resistant, front fixed and is manufactured from stainless steel. External surface is satin finish. Internal bowl is matte finish for hygiene, easy cleaning and scale resistance. The integrated seat is bright polished for hygiene and comfort. Laser-cut, flush-fitting access panels on both sides are fixed with security screws. Suitable for installations as follows:

RBA8847-156 S Trap - where waste connection is through the floor;
RBA8847-157 P Trap - where waste connection is through the wall.

Components Supplied

- WC Pan
- Cistern
- Cistern Cover
- Buttons
- Toilet Seat with Lid

Components Supplied by Others

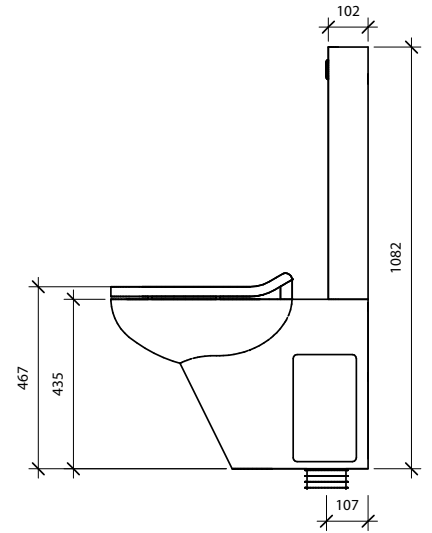
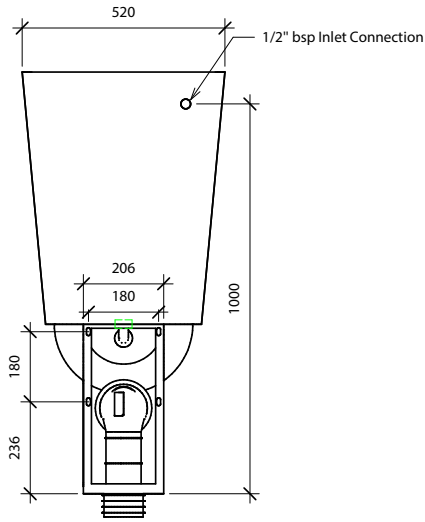
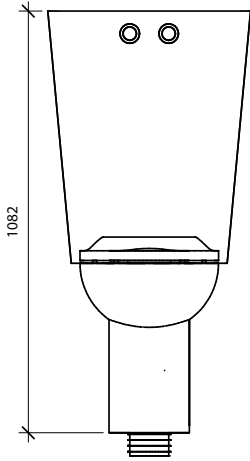
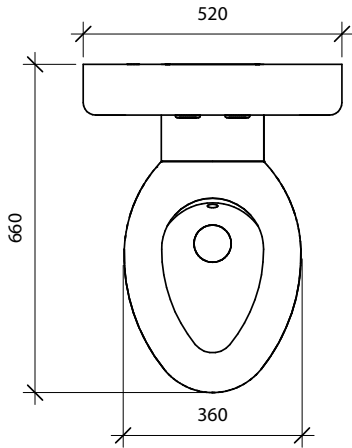
- Wall/floor anchors
- Kee Seal [Geberit 119.668.00.1]
- ½" Mini Cock

Installation

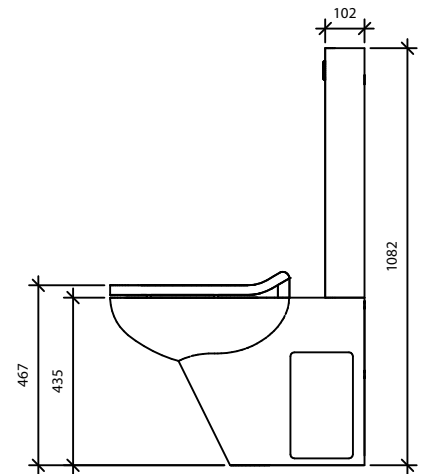
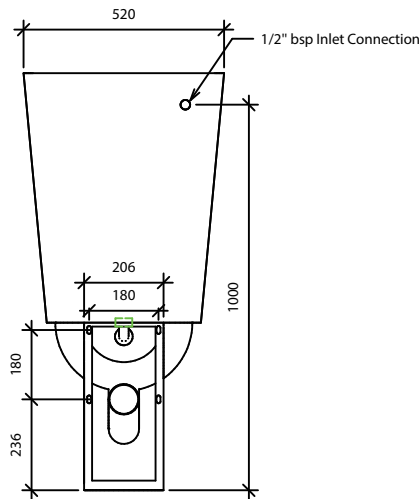
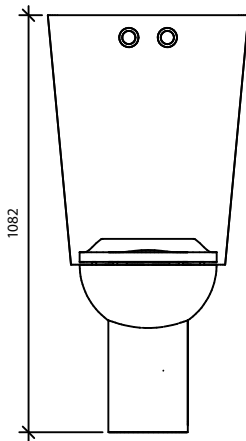
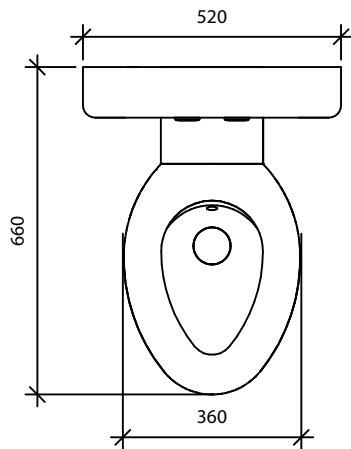
Installation to be in accordance with the AS/NZS3500 series of Standards plus all local and statutory requirements.

1. Remove the access panels in the sides of the pan, using the security bit provided. Install the pan using the 'S' clip provided to secure the pan to the floor. Secure the pan to the wall, with suitable anchors provided by others.
2. Connect the waste.
3. Mount the cistern, secure to the wall and make the necessary water connections. Cistern flush volume has been modified to 6/3L in accordance with the manufacturer's instructions.
4. Install the cistern cover over the cistern and secure.
5. Check for correct operation and leaks.
6. Fit the seat and replace the access panels.
7. Suite should be installed only with the Caroma Invisi 2 Cistern.

Dimensions & Rough In RBA8847-156



Dimensions & Rough In RBA8847-157



Note: This product should be installed, by suitably qualified persons, in a fit for purpose application, to suitable materials, using suitable fixings and to comply with any relevant codes. It should be inspected periodically for signs of wear and tear that may affect performance or safety.

Dimensions are subject to manufacturer's tolerance of +/-10mm. Rough-in should be completed with each fixture.

Important: Installation Instructions are subject to change without notice. Please visit **our websites** for latest revision.