

INSTALLATION, OPERATION AND MAINTENANCE INSTRUCTIONS



RBA8841-156 Ambulant Toilet P-Trap Configuration



Model	RBA8841-156
Date	19/09/18
Doc#	ii/rba8841-156 /0918

Supersedes all previous

Components

“P” Trap Stainless Steel Pan

Security bit

Security seat

Pre-Installation

Installation should be in accordance with local authority and statutory requirements, and as per these installation instructions.

Pan is “wall faced” and should be fixed with suitable wall anchors provided by others.

Flushing device should be

- Caroma Invisi II (Inceiling mount recommended)

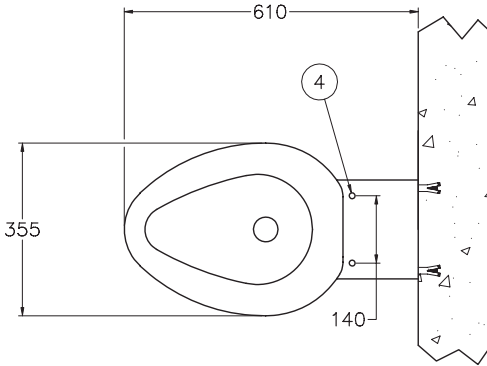
To meet AS1428.1-2009 this unit is 460mm high when installed with optional seat (order separately), alternatively for secure installations with no hinged seat unit should be built up to 460mm.

Installation

1. Installation to be in accordance with the AS/NZ3500 series of Standards plus all local and statutory requirements. For Australia, Installation shall be in accordance with the PCA [Plumbing Code of Australia] and any relevant local authority requirements.
2. If not pre-formed, make sufficient penetrations through the wall, as determined from the drawing, to allow the 100 mm waste pipe, 50 mm flush pipe, and suitable wall anchors supplied by others.
3. Fit a 100 mm pan collar to the outlet with sufficient 100 mm pipe to extend through the wall. (Alternately the waste and flush pipes may be preplumbed and the pan pushed onto the pipework.)
4. Similarly fit a 50 mm keeseal to the pan inlet with sufficient pipe, as provided by the cistern manufacturer, to extend through the wall.
5. Push the pan into position, and secure the pan to the wall.
6. Make the necessary connections to the waste, and install the cistern and connect according to the manufacturers instructions.
7. Check for leaks and correct flush volumes, 6 litres full flush and 3 litres half flush.
8. If supplied, fit the seat to pre-drilled holes and replace the access panels. Seat must be ordered separately.

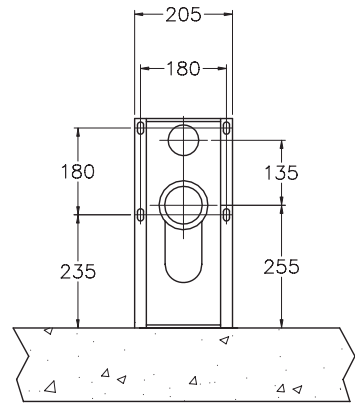
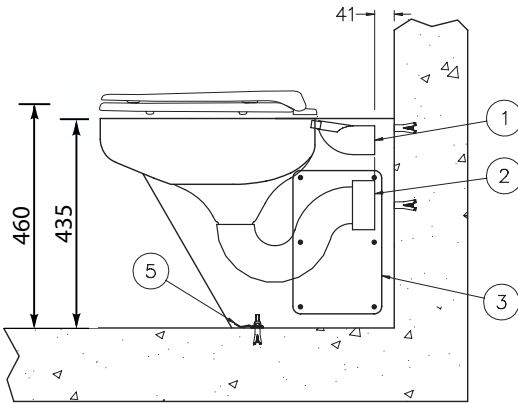
INSTALLATION, OPERATION AND MAINTENANCE INSTRUCTIONS

Installation



RBA8841-156

- ① 55mm ID Flush Inlet; Keyseal or Gasket Provided by Others.
- ② 100mm OD Waste Outlet. Back Outlet P-Trap.
- ③ Access Panels – Both Sides of Toilet Housing.
- ④ 12mm Holes w/ Plugs
- ⑤ Concealed S-Clip





ii/rba8841-156/0918