

INSTALLATION, OPERATION AND MAINTENANCE INSTRUCTIONS



RBA4150-229
RBA4150-230
RBA4150-239
RBA4150-240
RBA4150-202

Right Hand, 90° Rail, Polyurethane Backrest, Stainless Steel Grab Rail
Left Hand, 90° Rail, Polyurethane Backrest, Stainless Steel Grab Rail
Right Hand, 40° Rail, Polyurethane Backrest, Stainless Steel Grab Rail
Left Hand, 40° Rail, Polyurethane Backrest, Stainless Steel Grab Rail
Drop Down Polyurethane Backrest



RBA4150-229 Shown

Model 2-Wall Grab Rail & Backrest Installation Instructions
Date 14/11/14

Supersedes all previous

INSTALLATION, OPERATION AND MAINTENANCE INSTRUCTIONS

Installation Instructions

GENERAL NOTES

1. Measure site to find correct location for Grab Rail & Backrest ensuring it is installed to meet disabled code AS1428.1-2009 (Amdt. 2010) and local building codes.
2. Ensure wall construction is able to support the unit and loads it is subject to. Grab Rails & Backrests are no stronger than the anchors & walls to which they are attached.
3. Wall anchors to be supplied by others.
4. Rough-in should be done with each unit. Construction is subject to manufactures tolerances of 10mm.

INSTALLATION INSTRUCTIONS

1. Mount Backrest concealed wall fixing plate in a location as per Fig. A
2. Assemble Polyurethane Backrest to rail with hardware provided.
3. Based on location of toilet seat hinge point, determine desired length of the Backrest to achieve 95° - 100° angle on seat when raised as shown in Fig B.
4. Cut stainless steel bar of Backrest to suit the required angle of the toilet seat when open.
5. Loosely fit mounting brackets for adjoining rails over the ends of the Backrest rail. The FxF connector (Fig. C) should be on the rail near the side wall and the MxF connector (Fig. D) on the opposite side.
6. Slide Backrest mounting brackets with dress rings onto the stainless steel bar of the Backrest. Tighten the mounting bracket cover with the tension bolts to a torque of 80Nm.
7. Set the bracket cover over concealed mounting bracket and secure with locking bolts on the bottom of the mounting bracket cover.
8. Set toilet seat upright to confirm correct position.
9. Slide the side wall rail into the bracket located on the Grab Rail.
10. Locate the side wall rail in the correct location in accordance with the drawing & AS1428.1-2009 (Amdt. 2010)
11. Remove cover flange and mount unit to wall. Fixings by others.
12. Tighten allen head grub screws on FxF connector.
13. Slide the rear wall rail into the MxF connector.
14. Remove cover flange and mount unit to wall. Fixings by others.
15. Tighten allen head grub screws on the MxF connector.
16. Replace covers over the rail mounting flanges ensure raised edges of the flange are lined up with the dimples of the bracket cover and press into place.

INSTALLATION, OPERATION AND MAINTENANCE INSTRUCTIONS

ROUGH IN

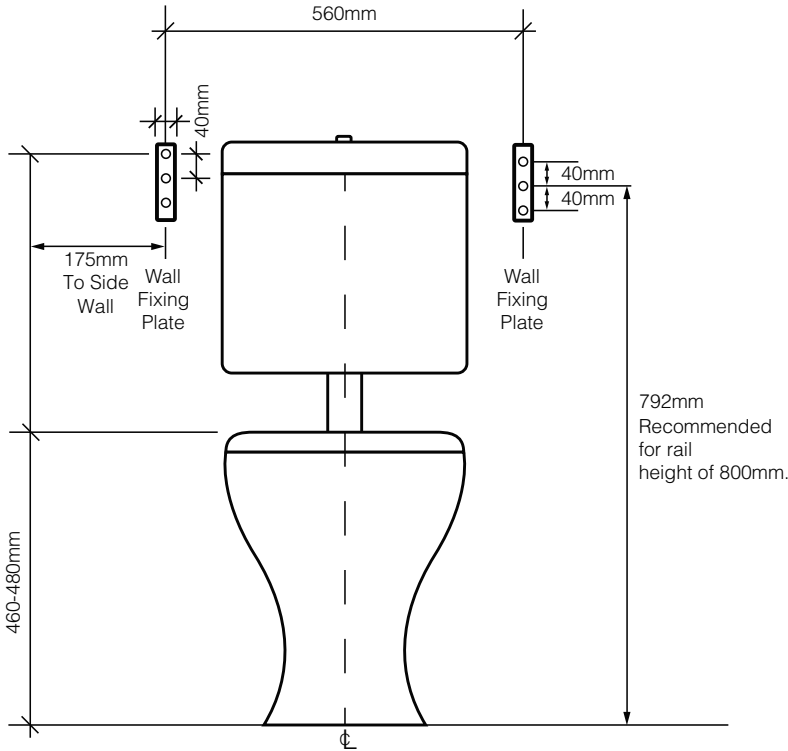


Fig. A

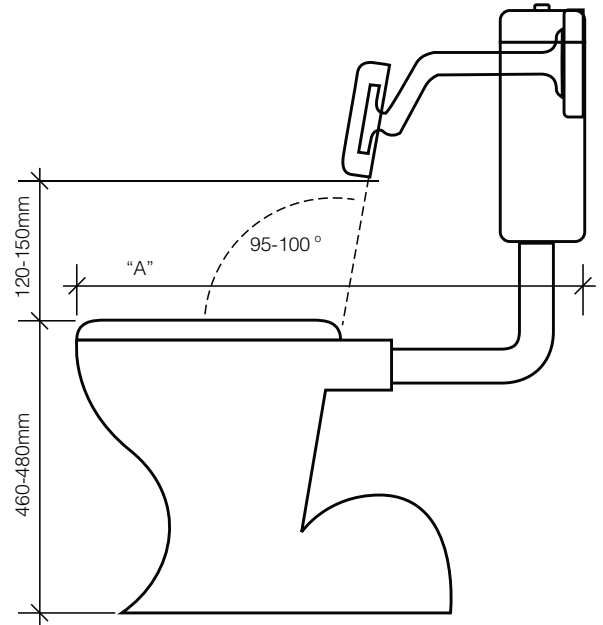


Fig. B

RAIL CONNECTORS

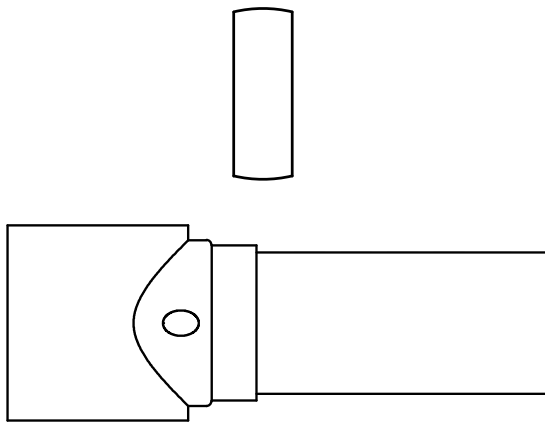


Fig. C: Male x Female (MxF) Connector

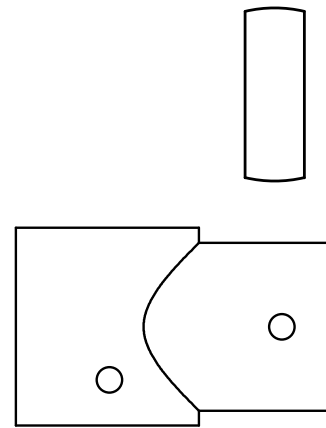


Fig. D: Female x Female (FxF) Connector

Cleaning & Maintenance Guide

1. To remove water spots or rust spots, stainless steel cleaner/polish on a cloth is recommended.
2. If there are stubborn spots or if you wish to treat a scratch, synthetic abrasive general purpose pads such as scotch brite are recommended.
3. Apply stainless steel cleaner/polish to the synthetic abrasive pads and carefully rub the panel with the grain.
4. DO NOT use harsh chemicals, abrasive or petroleum based cleaners. Use of these will void the RBA warranty. DO NOT use abrasives on powder coated units.
5. Stainless steel should be kept clean at all times. If a coating of stainless steel cleaner/polish is maintained, stainless steel surfaces will retain their new, clean, polished appearance indefinitely. Use clean mild soapy water for powder coated units.

INSTALLATION, OPERATION AND MAINTENANCE INSTRUCTIONS

RBA4150-229

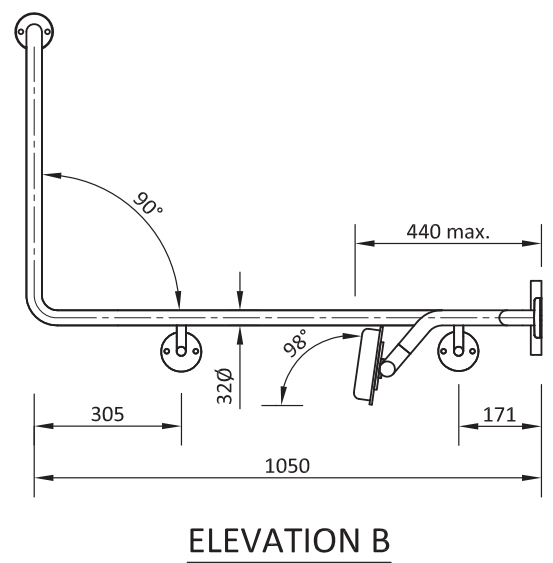
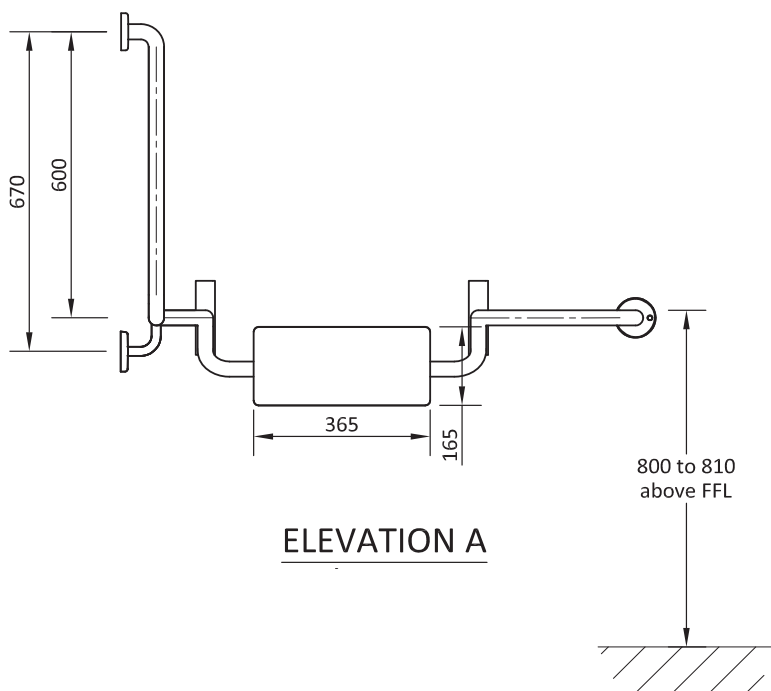
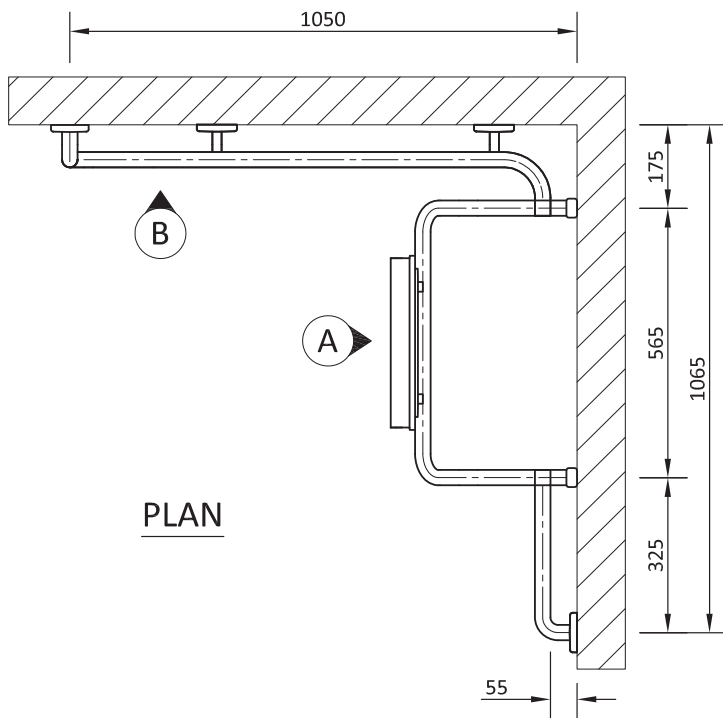


Fig. E: RBA4150-229 90° Right Hand 2 Wall Grab Rail With Backrest

INSTALLATION, OPERATION AND MAINTENANCE INSTRUCTIONS

RBA4150-230

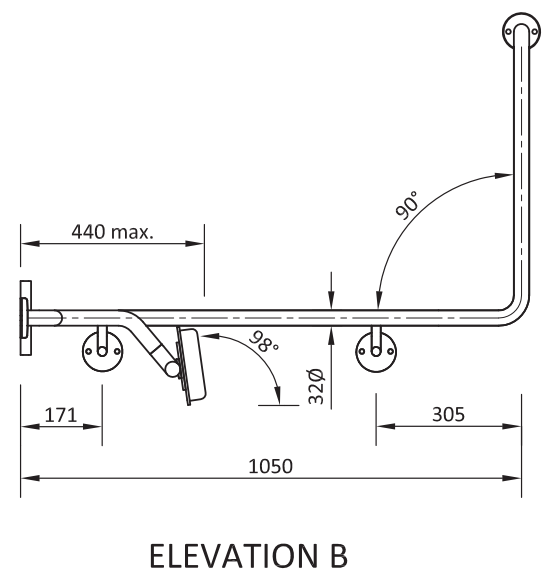
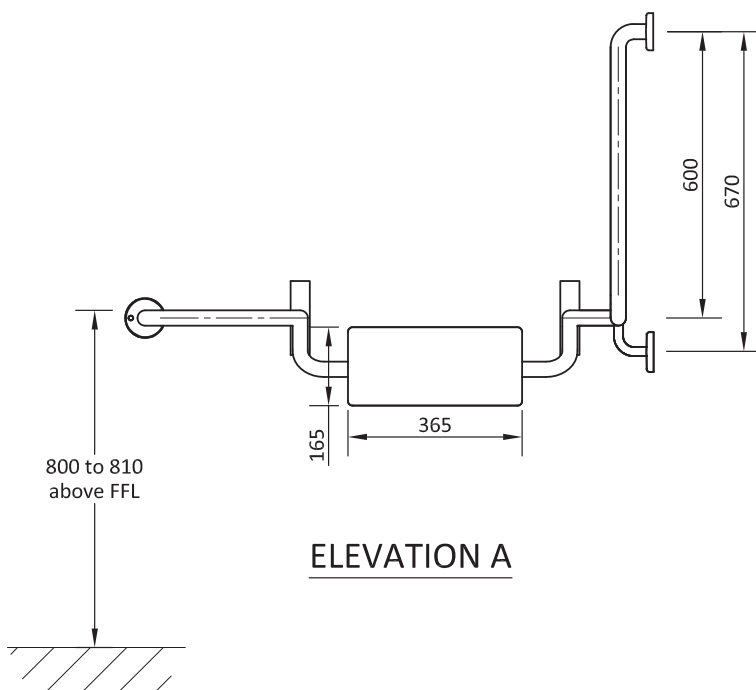
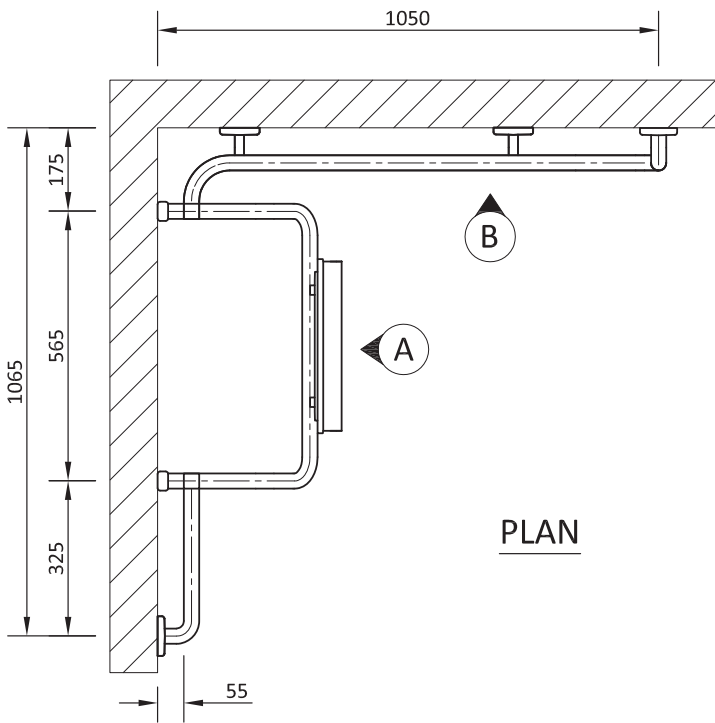


Fig. F: RBA4150-230 90° Left Hand 2 Wall Grab Rail With Backrest

INSTALLATION, OPERATION AND MAINTENANCE INSTRUCTIONS

RBA4150-239

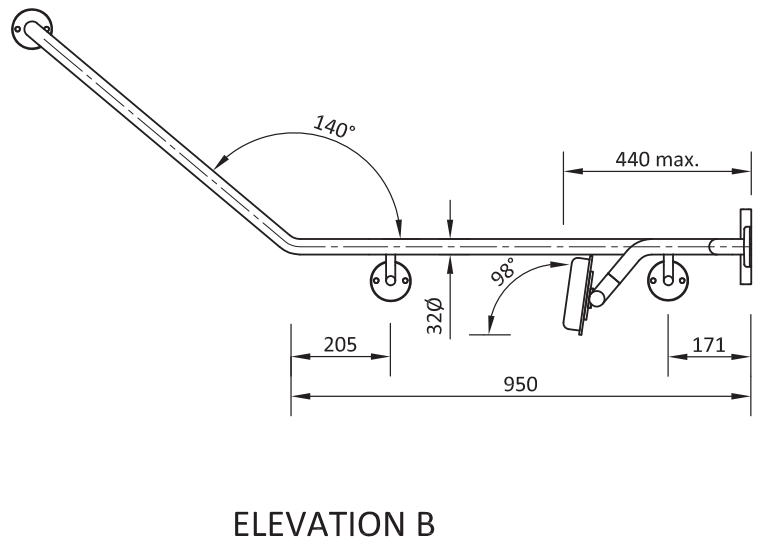
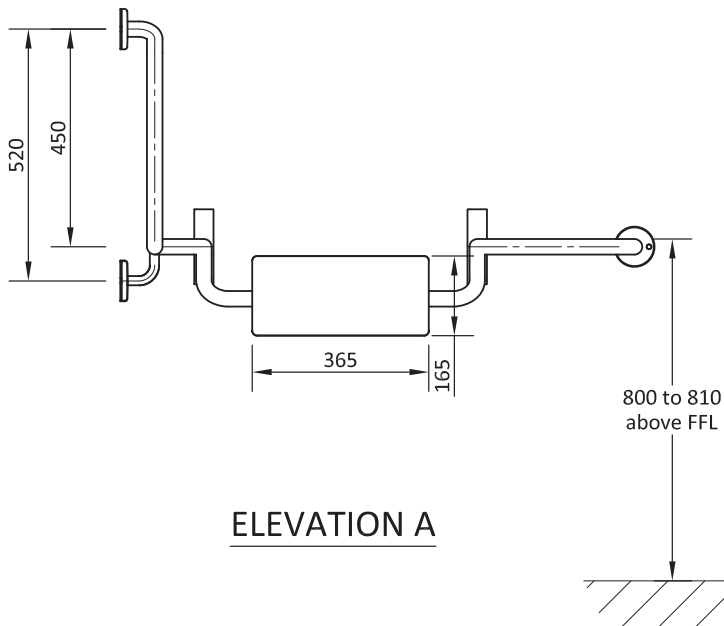
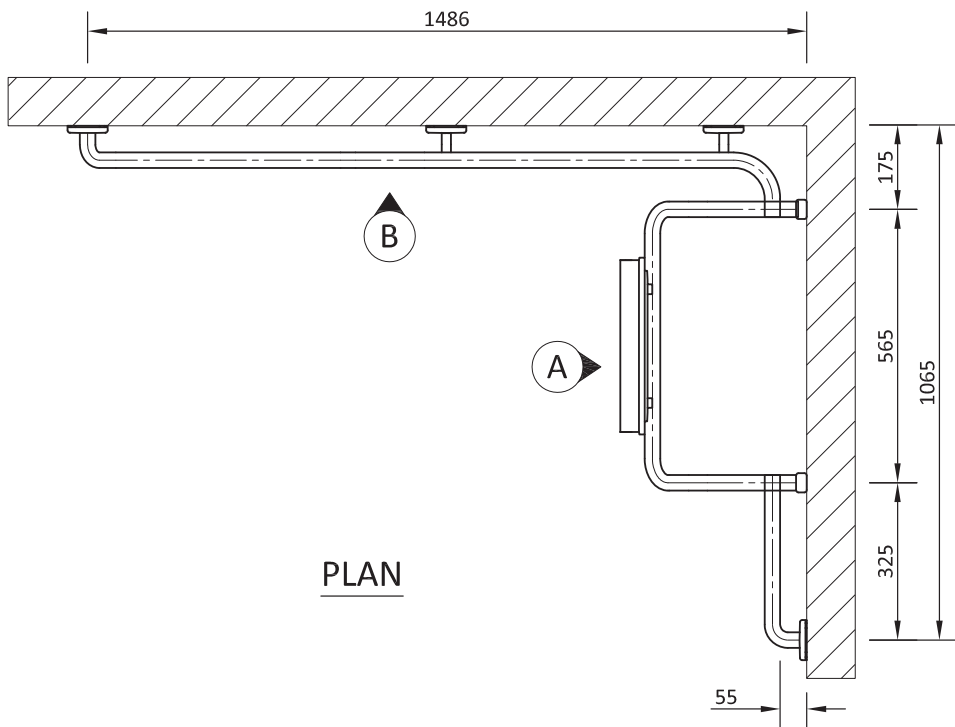


Fig. G: RBA4150-239 40° Right Hand 2 Wall Grab Rail With Backrest

INSTALLATION, OPERATION AND MAINTENANCE INSTRUCTIONS

RBA4150-240

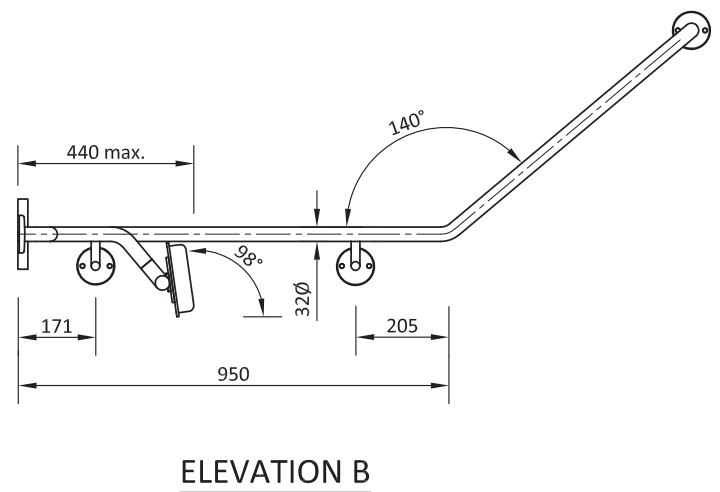
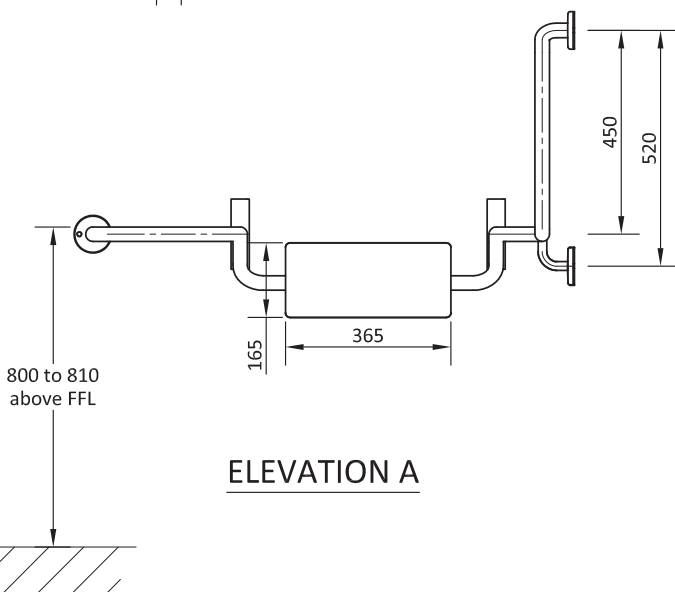
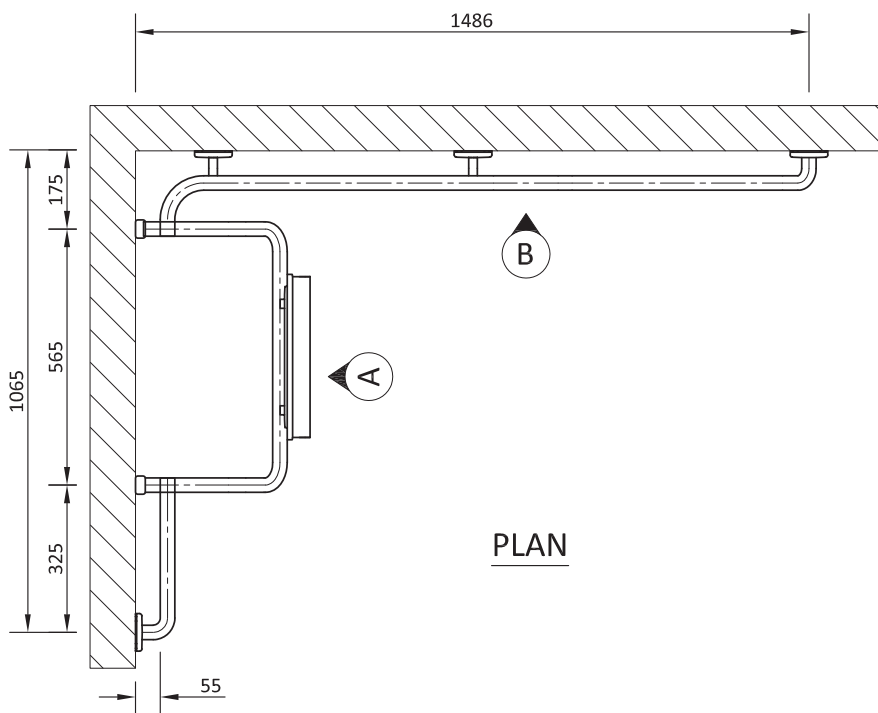


Fig. H: RBA4150-240 40° Left Hand 2 Wall Grab Rail With Backrest

INSTALLATION, OPERATION AND MAINTENANCE INSTRUCTIONS



Notes

Contact Us

1300 788 778
www.rba.com.au
sales@rba.com.au

SYDNEY
Level 1, 32 Frederick St
Oatley, 2223

MELBOURNE
Unit 9, 56 Norcal Rd
Nunawading, 3131

BRISBANE
Unit 13, 54 Nealdon Dr
Meadowbrook, 4131

0800 722 111
www.rbagroup.co.nz
sales@rbagroup.co.nz

AUCKLAND
300 Richmond Road
Grey Lynn 1021