

Spare Parts

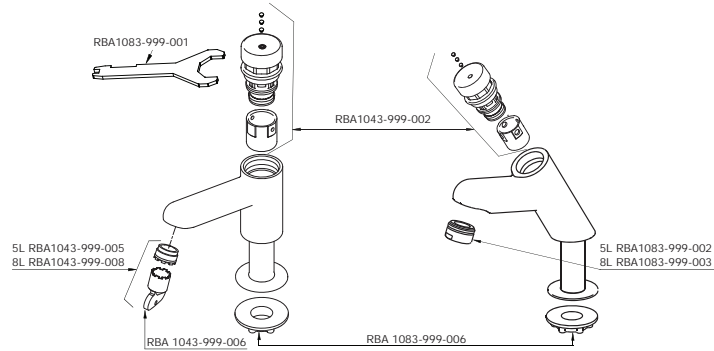
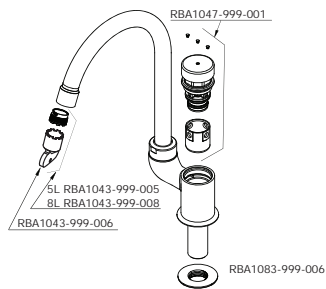


FIGURE 2

RBA1047 SERIES



RBA Code Number	Part Description
RBA1043-999-002	Cartridge with Coloured Plugs 7 seconds
RBA1047-999-001	Cartridge with Coloured Plugs 15 seconds
RBA1083-999-005	Aerator Perlator 5Lpm
RBA1083-999-008	Aerator Perlator 8Lpm
RBA1043-999-005	Aerator Cache 5Lpm w/key
RBA1043-999-008	Aerator Cache 8Lpm w/key
RBA1083-999-001	Spanner
RBA1083-999-006	Brass Locknut
RBA1043-999-006	Aerator Cache Key

Note: This product should be installed, by suitably qualified persons, in a fit for purpose application, to suitable materials, using suitable fixings and comply with any relevant codes. It should be inspected periodically for signs of wear and tear that may affect performance or safety.

Dimensions are subject to manufacturer's tolerance of +/-10mm. Rough-in should be completed with each fixture.

Important: Installation Instructions are subject to change without notice.

Please visit www.rba.com.au for latest revision.



RBA1043

SELF CLOSING PILLAR TAPS MODELS



'ALFA'
RBA1043 SERIES



'RIO'
RBA1044 SERIES



'GOOSENECK'
RBA1047 SERIES



Model	RBA1043
Date	01/03/19
Doc#	ii/rba1043-series/0319

Supersedes all previous

Technical Data

Inlet	1/2" BSP (G1/2")
Operating pressure	200 – 500 kPa
Flow Time	7 seconds nominal (ALFA & RIO) 15 seconds (GOOSENECK)
Maximum Temp.	55°C
Flow Rate	4.5L per minute/5.5L per minute/8.5L per minute
Warranty	2 years

Dimensions

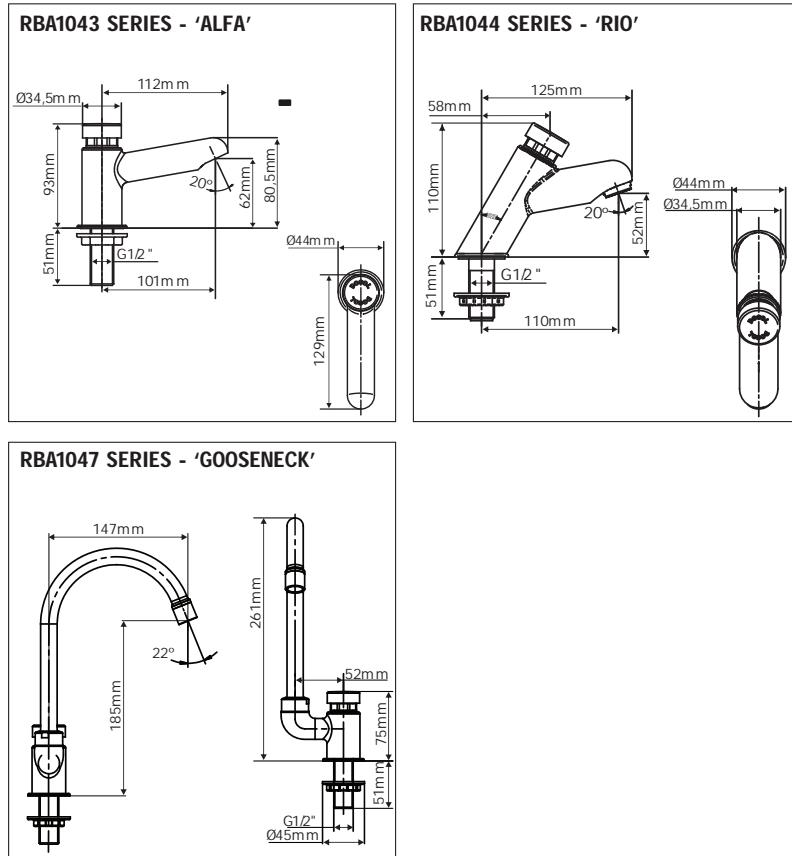


FIGURE 1

DESCRIPTION

Self closing pillar taps are designed for public areas, available in bright chrome finish casted from dezincification resistant brass alloy. Single connection to water supply line, to either cold or pre-mixed water.

- RBA 1043-600 'Alfa' Basin Pillar Tap DR - Chrome - 6 Star WELS, 5.5Lpm
- RBA 1043-400 'Alfa' Basin Pillar Tap DR - Chrome - 4 Star WELS, 8.5Lpm
- RBA 1044-600 'RIO' Basin Pillar Tap DR - Chrome - 6 Star WELS, 4.5Lpm
- RBA 1044-400 'RIO' Basin Pillar Tap DR - Chrome - 4 Star WELS, 8.5Lpm
- RBA 1047-600 'Gooseneck' Basin Pillar Tap DR - Chrome - 6 Star WELS, 5.5Lpm
- RBA 1047-400 'Gooseneck' Basin Pillar Tap DR - Chrome - 4 Star WELS, 8.5Lpm

Installation

- 1) Installation must be carried out in accordance with local authority requirements.
- 2) Flush the line thoroughly, and remove all dirt and grit from the line before connecting the tap.
- 3) Install the tap in the basin, tightening lightly with spanner or grips.
- 4) Connection may be made with either flexible S/S braided hose, or copper tube and compression fittings.
- 5) Before turning on the water remove the aerator and flush the tap.
- 6) Replace the aerator and check for leaks.
- 7) Fit appropriate coloured indicator to the handle.

TROUBLE SHOOTING

PROBLEM	PROBABLE CAUSE	SOLUTION
No flow or low volume	Water turned off Water outlet blocked	Turn on Remove the blockage
Water flows continuously or Short/ long flow time	Cartridge blocked with dirt Cartridge damaged Valve direction incorrect	Remove and clean* Replace the cartridge*
Leak under knob	Cartridge damaged	Replace the cartridge*

*To remove the aerator and cartridge, see "Spare Parts" to choose appropriate tool. (Not supplied with the product).