

# INSTALLATION, OPERATION AND MAINTENANCE INSTRUCTIONS



**RBA8910-000 Series**  
**RBA8910-100 Series**  
**RBA8910-200 Series**  
**RBA8910-300 Series**  
**RBA8910-400 Series**

Pedestal Mounted Drinking Fountain  
Barrier Free Pedestal Mounted Drinking Fountain  
Barrier Free, Bi-Level Pedestal Mounted Drinking Fountain  
Barrier Free, Tri-Level Pedestal Mounted Drinking Fountain  
Low Level Pet Fountain



## GENERAL NOTES

1. All dimensions are in inches [mm].
2. Dimensions shown are for recommended adult height. Adjust vertical dimensions as necessary to comply with federal, state, & local codes.
3. Water lines from chiller to foundation should be covered with sponge foam rubber or ice water type insulation of adequate thickness.
4. Please leave this documentation with the owner of the fixture when finished.
5. Please read this entire booklet before beginning the installation.
6. Check your installation for compliance with plumbing, electrical and other applicable codes.
7. Unit to be installed in accordance with AS3500.1 & AS 3500.2 and other local codes.

## NOTES

Dimensions shown for Adult ADA compliant installation. For Child ADA compliant parallel approach installation, decrease height of installation by 3 inches. Provide clear floor space as required. Adjust vertical dimensions as required to comply with federal, state, and local codes.



Model	AquaDesign Outdoor Drinking Fountains
Date	13/06/14

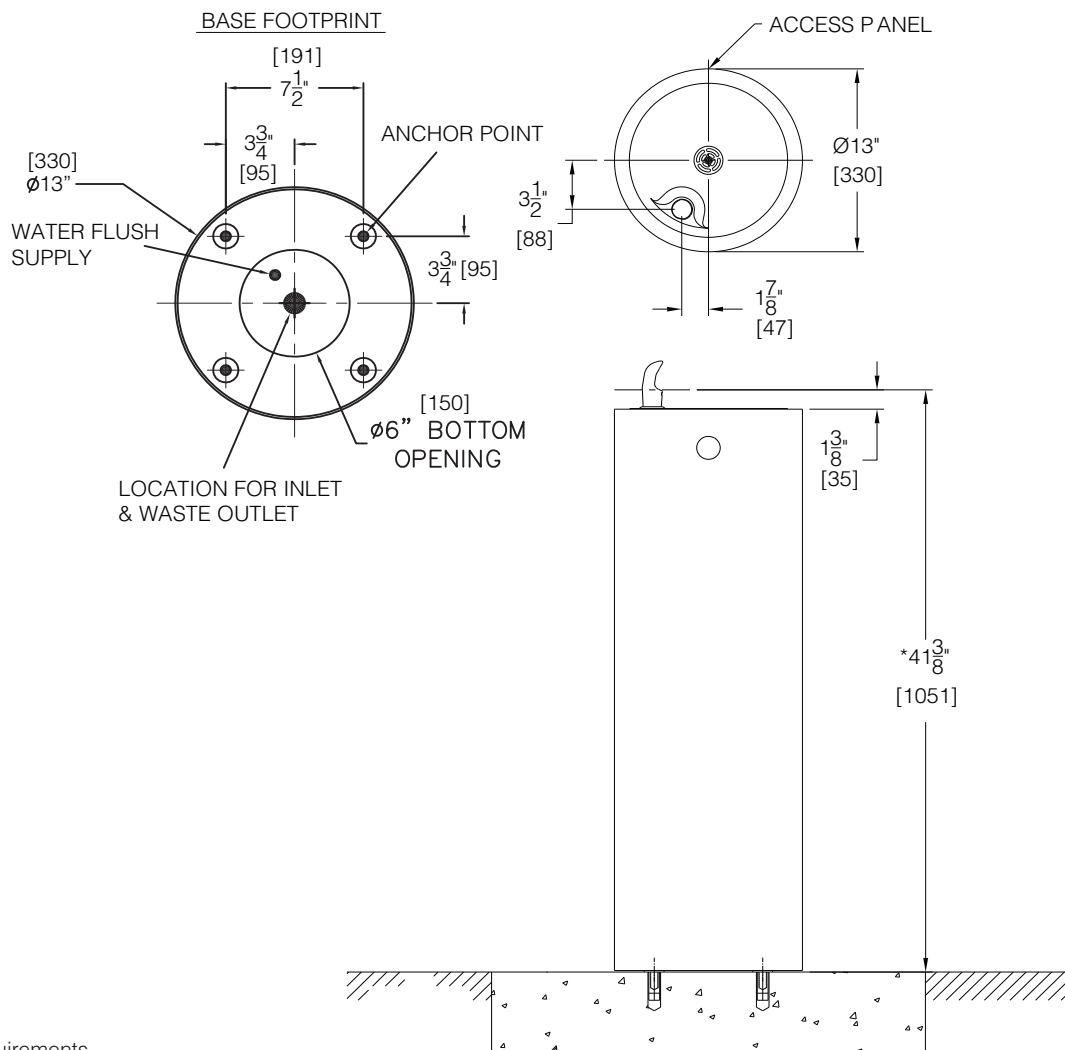
Supersedes all previous

# INSTALLATION, OPERATION AND MAINTENANCE INSTRUCTIONS

## RBA8910-000 Series Installation Instructions

### INSTALLATION INSTRUCTIONS

1. Provide 750mm square x 150mm deep minimum concrete slab by others to securely anchor fixture. Install the four provided concrete anchors at dimensions shown to match holes in fixture base.
2. Rough-in waste outlet at dimensions shown for 40mm DWV.
3. Rough-in water supply within 150mm diameter bottom opening. Stop recommended on supply to be supplied by others.
4. Carefully remove the fixture and components from the packaging preventing scratching and damage.
5. Remove back access panel from fixture pedestal and bottom access panel from cantilever. Ensure push button, waste piping, and bubbler are secure and check all the tubing connections to make sure they did not come loose in shipment.
6. Set pedestal in place aligning base holes with the installed anchors and secure with the 1/2" UNC hardware provided.
7. Make-up waste connection to the waste piping (Trap by others).
8. Flush water supply by others of all debris prior to connection to fixture.
9. Connect water supply by other to 1/2" BSP inlet. Stop on the supply is recommended.
10. Test operation of bubbler by depressing button. Adjust the flow rate as required. Refer to trouble shooting. Check all connections and waste piping for leaks. Correct if present.
11. Re-install back access panel and bottom access panel.



\* Meets US ADA requirements

# INSTALLATION, OPERATION AND MAINTENANCE INSTRUCTIONS

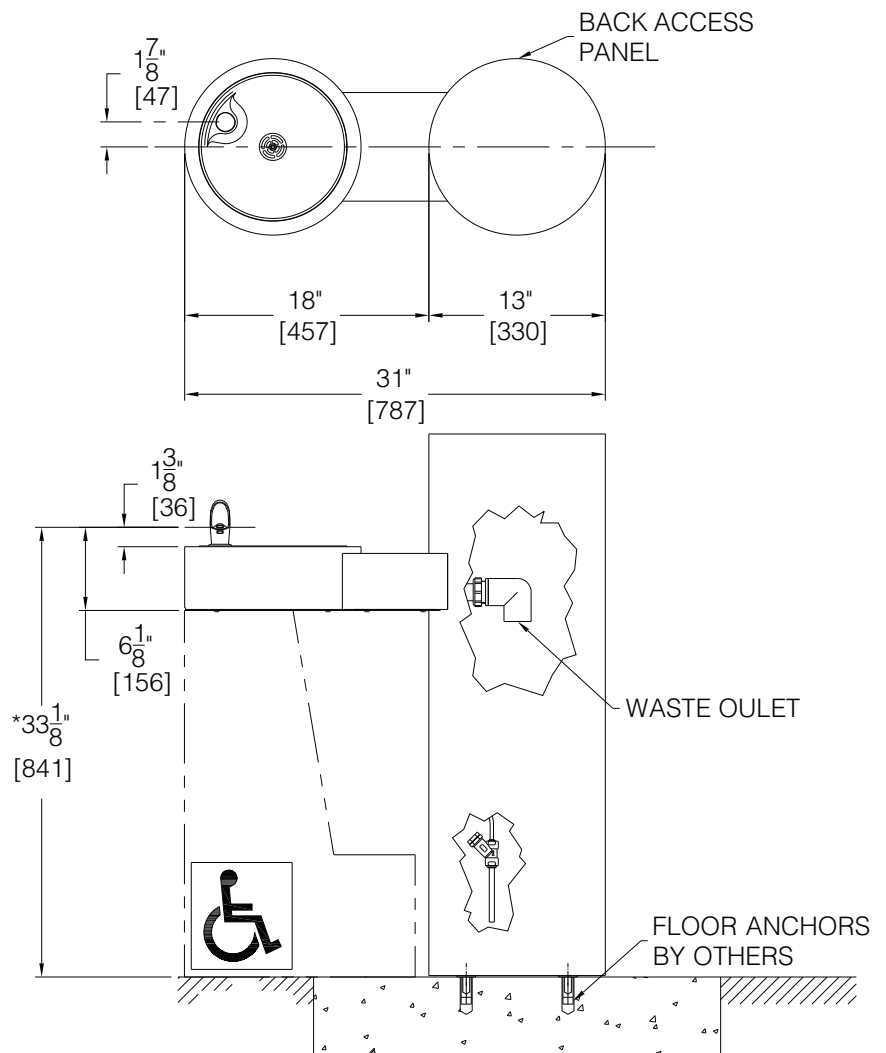
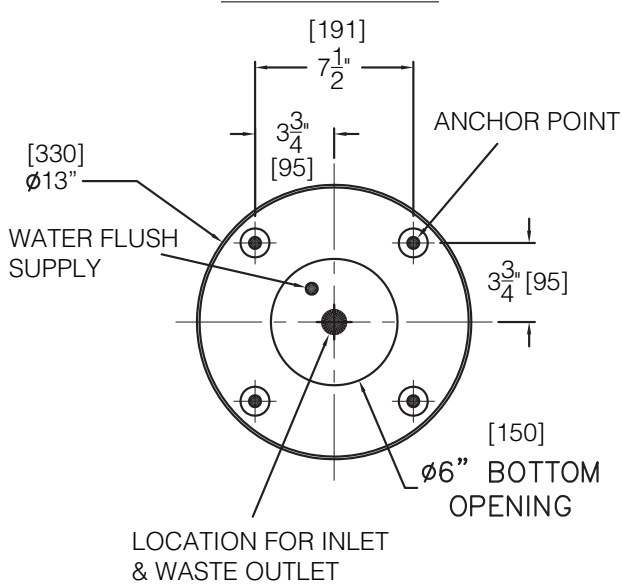
## RBA8910-100 Series Installation Instructions

### INSTALLATION INSTRUCTIONS



1. Provide 750mm square x 150mm deep minimum concrete slab by others to securely anchor fixture. Install the four provided concrete anchors at dimensions shown to match holes in fixture base.
2. Rough-in waste outlet at dimensions shown for 40mm DWV.
3. Rough-in water supply within 150mm diameter bottom opening. Stop recommended on supply to be supplied by others.
4. Carefully remove the fixture and components from the packaging preventing scratching and damage.
5. Remove back access panel from fixture pedestal and bottom access panel from cantilever. Ensure push button, waste piping, and bubbler are secure and check all the tubing connections to make sure they did not come loose in shipment.
6. Set pedestal in place aligning base holes with the installed anchors and secure with the 1/2" UNC hardware provided.
7. Make-up waste connection to the waste piping (Trap by others).
8. Flush water supply by others of all debris prior to connection to fixture.
9. Connect water supply by other to 1/2" BSP inlet. Stop on the supply is recommended.
10. Test operation of bubbler by depressing button. Adjust the flow rate as required. Refer to trouble shooting. Check all connections and waste piping for leaks. Correct if present.
11. Re-install back access panel and bottom access panel.

### BASE FOOTPRINT



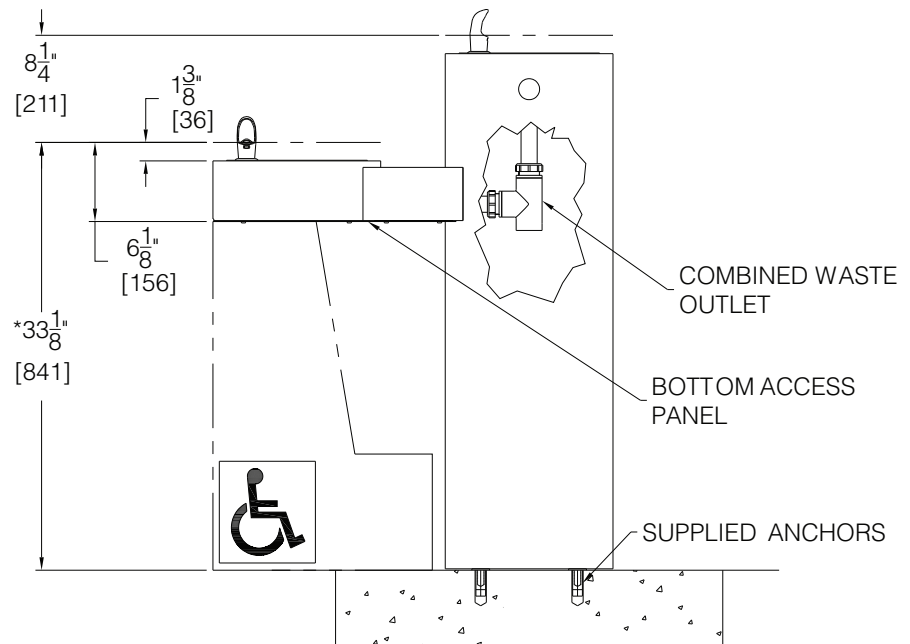
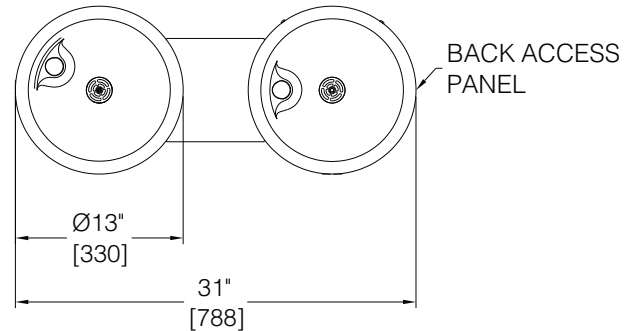
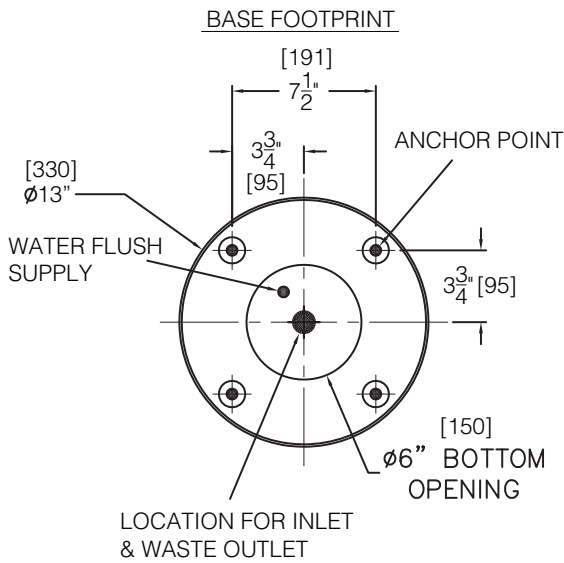
# INSTALLATION, OPERATION AND MAINTENANCE INSTRUCTIONS

## RBA8910-200 Series Installation Instructions

### INSTALLATION INSTRUCTIONS



1. Provide 750mm square x 150mm deep minimum concrete slab by others to securely anchor fixture. Install the four provided concrete anchors at dimensions shown to match holes in fixture base.
2. Rough-in waste outlet at dimensions shown for 40mm DWV.
3. Rough-in water supply within 150mm diameter bottom opening. Stop recommended on supply to be supplied by others.
4. Carefully remove the fixture and components from the packaging preventing scratching and damage.
5. Remove back access panel from fixture pedestal and bottom access panel from cantilever. Ensure push button, waste piping, and bubbler are secure and check all the tubing connections to make sure they did not come loose in shipment.
6. Set pedestal in place aligning base holes with the installed anchors and secure with the 1/2" UNC hardware provided.
7. Make-up waste connection to the waste piping (Trap by others).
8. Flush water supply by others of all debris prior to connection to fixture.
9. Connect water supply by other to 1/2" BSP inlet. Stop on the supply is recommended.
10. Test operation of bubbler by depressing button. Adjust the flow rate as required. Refer to trouble shooting. Check all connections and waste piping for leaks. Correct if present.
11. Re-install back access panel and bottom access panel.



# INSTALLATION, OPERATION AND MAINTENANCE INSTRUCTIONS

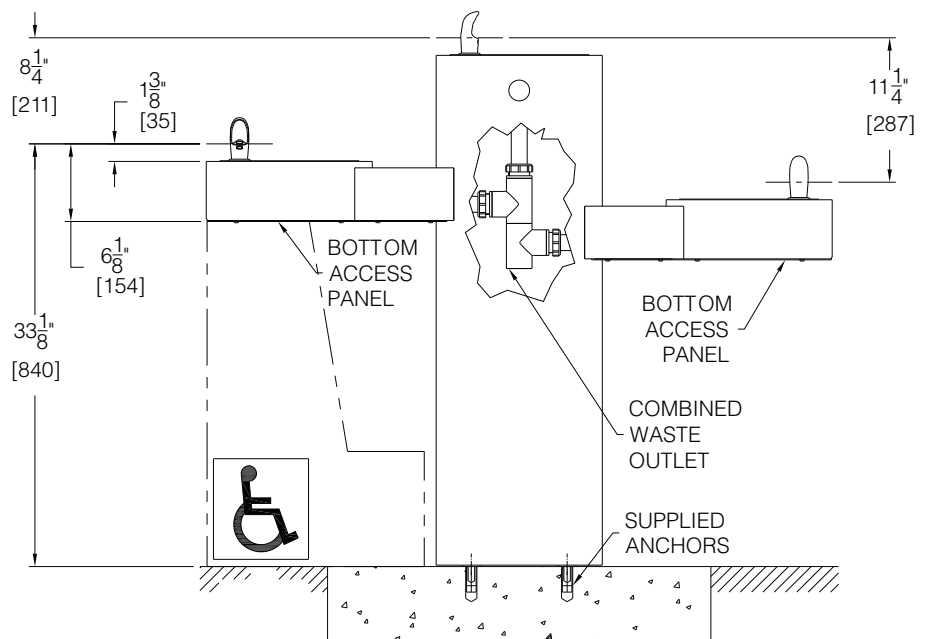
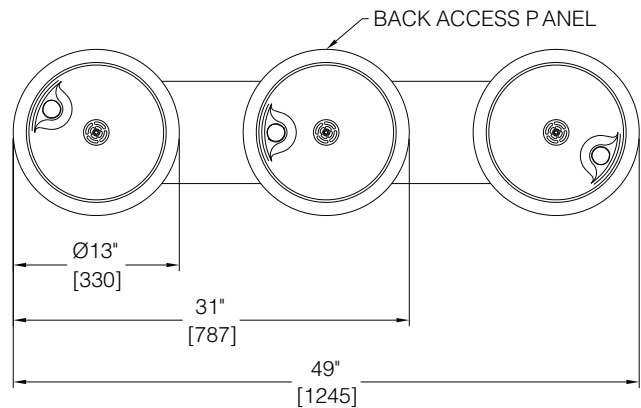
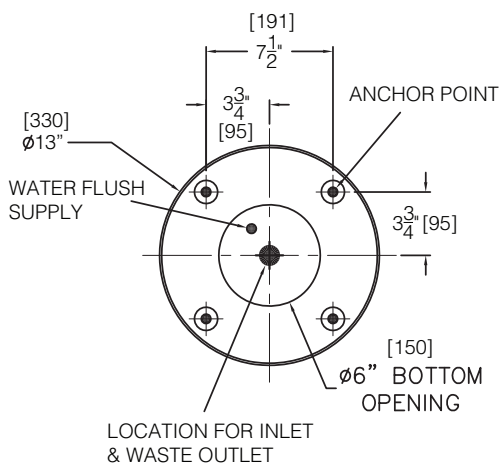
## RBA8910-300 Series Installation Instructions



### INSTALLATION INSTRUCTIONS

1. Provide 750mm square x 150mm deep minimum concrete slab by others to securely anchor fixture. Install the four provided concrete anchors at dimensions shown to match holes in fixture base.
2. Rough-in waste outlet at dimensions shown for 40mm DWV.
3. Rough-in water supply within 150mm diameter bottom opening. Stop recommended on supply to be supplied by others.
4. Carefully remove the fixture and components from the packaging preventing scratching and damage.
5. Remove back access panel from fixture pedestal and bottom access panel from cantilever. Ensure push button, waste piping, and bubbler are secure and check all the tubing connections to make sure they did not come loose in shipment.
6. Set pedestal in place aligning base holes with the installed anchors and secure with the 1/2" UNC hardware provided.
7. Make-up waste connection to the waste piping (Trap by others).
8. Flush water supply by others of all debris prior to connection to fixture.
9. Connect water supply by other to 1/2" BSP inlet. Stop on the supply is recommended.
10. Test operation of bubbler by depressing button. Adjust the flow rate as required. Refer to trouble shooting. Check all connections and waste piping for leaks. Correct if present.
11. Re-install back access panel and bottom access panel.

BASE FOOTPRINT

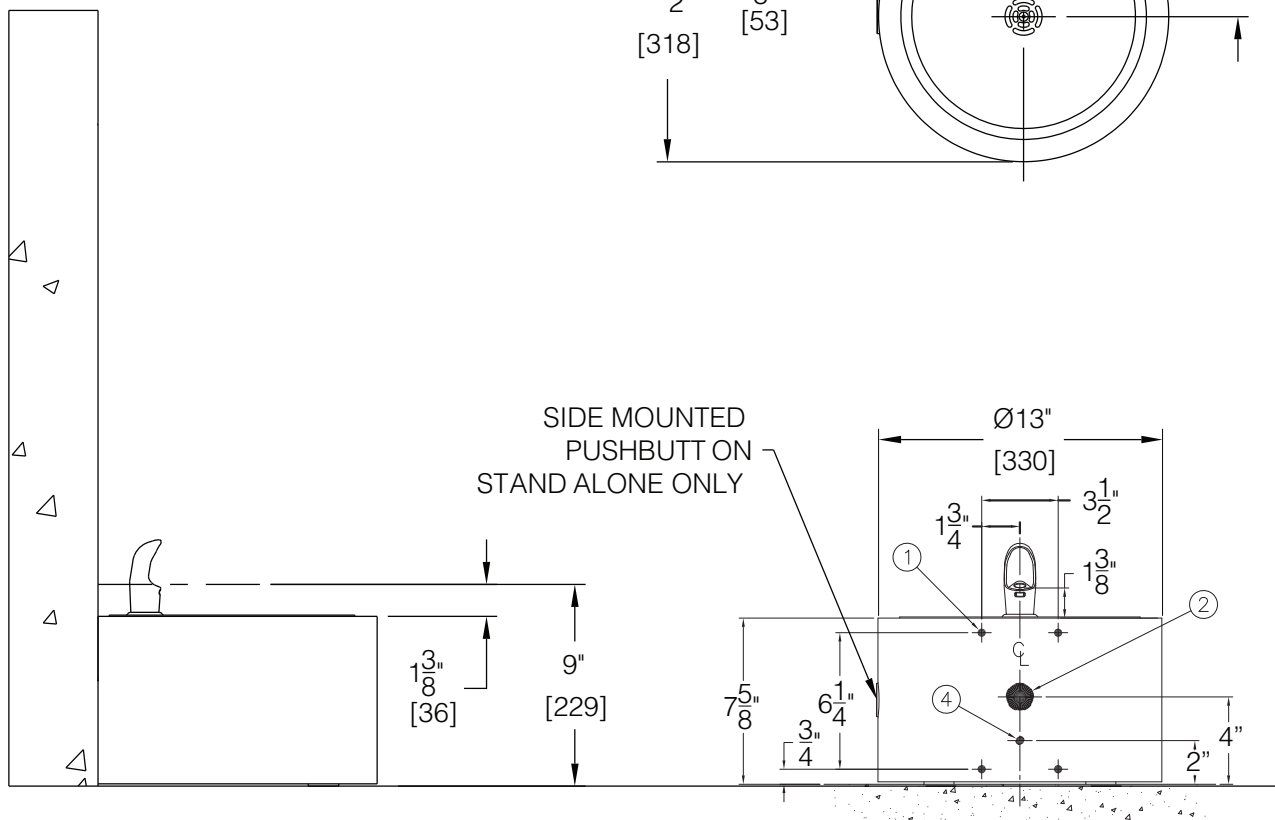
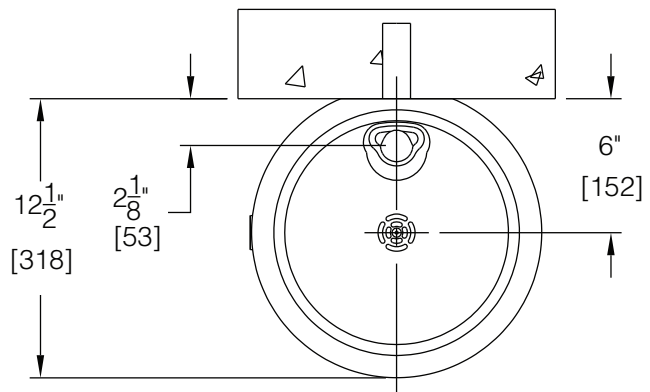


# INSTALLATION, OPERATION AND MAINTENANCE INSTRUCTIONS

## RBA8910-400 Series Installation Instructions

### INSTALLATION INSTRUCTIONS

1. Provide 750mm square x 150mm deep minimum concrete slab by others to securely anchor fixture. Install the four provided concrete anchors at dimensions shown to match holes in fixture base.
2. Rough-in waste outlet at dimensions shown for 40mm DWV.
3. Rough-in water supply within 150mm diameter bottom opening. Stop recommended on supply to be supplied by others.
4. Carefully remove the fixture and components from the packaging preventing scratching and damage.
5. Remove back access panel from fixture pedestal and bottom access panel from cantilever. Ensure push button, waste piping, and bubbler are secure and check all the tubing connections to make sure they did not come loose in shipment.
6. Set pedestal in place aligning base holes with the installed anchors and secure with the 1/2" UNC hardware provided.
7. Make-up waste connection to the waste piping (Trap by others).
8. Flush water supply by others of all debris prior to connection to fixture.
9. Connect water supply by other to 1/2" BSP inlet. Stop on the supply is recommended.
10. Test operation of bubbler by depressing button. Adjust the flow rate as required. Refer to trouble shooting. Check all connections and waste piping for leaks. Correct if present.



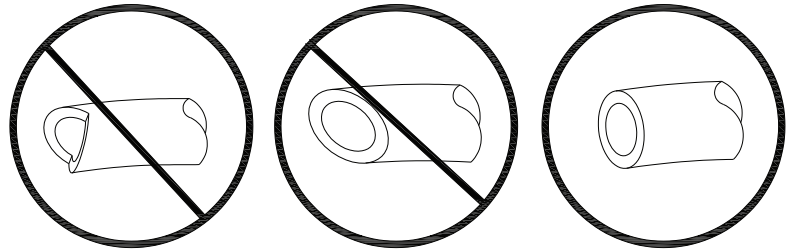
# INSTALLATION, OPERATION AND MAINTENANCE INSTRUCTIONS

## Push-in Fitting Installation

**Note:** Fittings and tube should be kept clean, bagged and undamaged prior to installation.

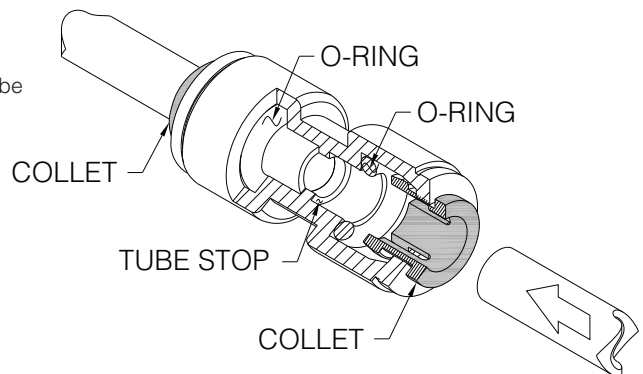
### TO CUT TUBE

Cut to fit length of 1/4" PE tubing and remove any burrs or sharp edges. Ensure that the outside diameter is free from score marks. Tube ends should be square.

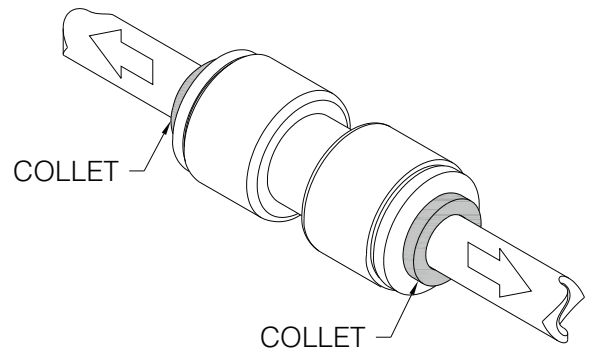


### INSERTING THE TUBE

1. Firmly and fully insert the tubing end into the push-in fitting up to the tube stop located approximately 1/2" deep.

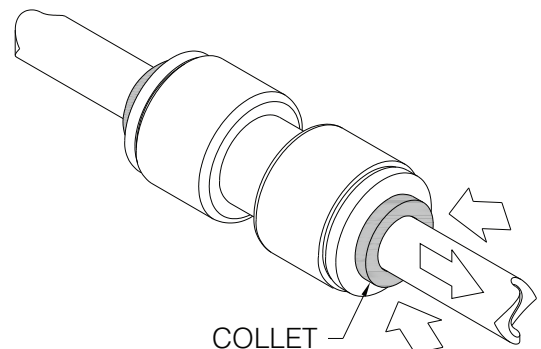


2. Pull on the fitted tubing to ensure it is secure. Tube should not come free from the fitting. Water test the connection assembly prior to leaving the site to ensure there are no leaks.



### DISCONNECTING THE TUBE

To disconnect the tube from the fitting ensure that the water line is depressurized. Push collet square towards the push-in fitting body and hold. While holding the collet in, pull on the PE tubing to remove from the push-in fitting.



## Trouble Shooting

**IMPORTANT:** Before making any of the repairs listed, make sure the waterchiller is disconnected from the electrical supply and the water supply valve is shut off.

### 1. Adjustments

- a. Cartridge – The water flow can be adjusted using a slotted narrow blade screwdriver and turning clockwise to increase flow and counterclockwise to decrease flow.
- b. Bubbler Stream - Bubbler can be rotated slightly to direct the stream backwards or forwards. Adjust the stream to minimize splashing. Splashing may occur from bubbler stream if the unit is not level. Shim lower mounting point, if necessary, to level chiller..

### 2. Restricted Or No Water Flow

- a. Ensure water supply service stop valve is fully open.
- b. Verify minimum 200 kpa supply line flow pressure.
- c. Check for twists or kinks in outlet tubing.
- d. Check inline strainer for debris.
- e. Inspect bubbler for debris.
- f. Adjust flow rate.
- g. Replace cartridge.

### 3. Water Drips Or Will Not Shut Off:

- a. Open fixture. Loosen nuts holding valve bracket assembly to bottom of fixture but do not remove. Move complete valve bracket assembly further back from the front push pad and tighten to lock in place.
- b. Replace valve cartridge.



