

Model RBA8851-156

Materials & Features

External surface is satin finish. Internal bowl is matt finish for hygiene, easy cleaning and scale resistance. The integrated seat is bright polished for hygiene and comfort. Pre-drilled to suit security toilet seat. Laser-cut, flush-fitting access panels on both sides are fixed with security screws. Suitable for S-Trap installations where waste connection is through the floor. Also available in coloured EnviroGlaze® [e.g. white] finish on external surfaces upon request.



Technical Detail

| | |
|---------------------------|---|
| Outlet Connection: | S-Trap 100mm OD |
| Pan Collar: | Standard [by others] |
| Bowl and Trap: | 1.9mm, type 304 Stainless Steel |
| Housing: | 1.5mm, type 304 Stainless Steel |
| Fixings: | By others |
| Flush Pipe Configuration: | 40mm PVC Flush Pipe + Geberit Kee Seal 119.668.00.1 [by others] |
| Full Flush: | 5.6L |
| Half Flush: | 2.6L |
| Average Flush: | 3.2L |
| WELS Rating: | 4 Star |
| WELS Reg. | LM05802 |

Available Models

- RBA8851-156 Ambulant 304 Stainless Steel Toilet - S-Trap
- RBA8851-156-316 Ambulant 316 Stainless Steel Toilet - S-Trap

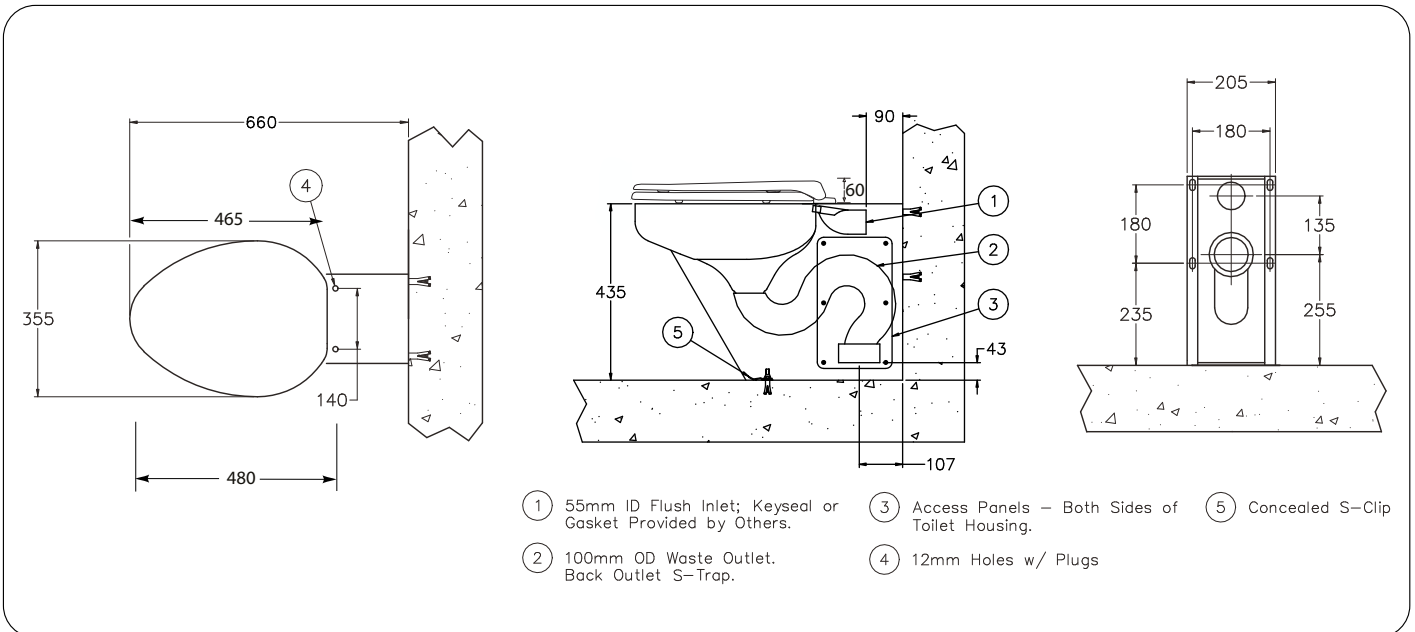
Related Products

- RBA8186-100 White Toilet Seat with Lid [25mm H]
- RBA4090-450 90° Ambulant Grab Rail
- RBA8841-156 Ambulant 304 Stainless Steel Toilet - P-Trap

Installation

Total height of RBA8851-156 [435mm] + RBA8186-100 [25mm] equals 460mm to comply with AS1428.1-2009 Fig.53A.

Important: Installation instructions and current rough-in details should be furnished with each fixture. Do not rough in without certified dimensions. Dimensions are subject to manufacturer's tolerance of +/-10mm.



As improvements in the design and performance of RBA products are continuous, specifications may be subject to change without notice. The illustrations and descriptions herein are applicable to production as of the date of this Technical Data Sheet. Revised 12/21 © 2021 by RBA Group TD/Model RBA8851-156/1221