

Model RBA8851-137-PP



Materials & Features

Designed to securely support bariatric users with a maximum load capacity [MLC] in excess of 2000kg, RBA's Bariatric Toilet has the appearance of vitreous china [excluding -SS option] but is manufactured from stainless steel for safety and durability. The larger surface area provides better patient comfort and facilitates easier transfers for care givers. Seat should be ordered separately.

Technical Detail

Inlet:	55mm ID
Outlet:	100mm OD
Trap:	P or S-Trap
Key Seal:	Standard [by others]
MLC:	910kg [no deflection] 2200kg [no permanent damage]
Housing:	1.9mm, type 304 Stainless Steel
Finish:	Enviroglaze® White &/or Satin Stainless Steel

Available Models

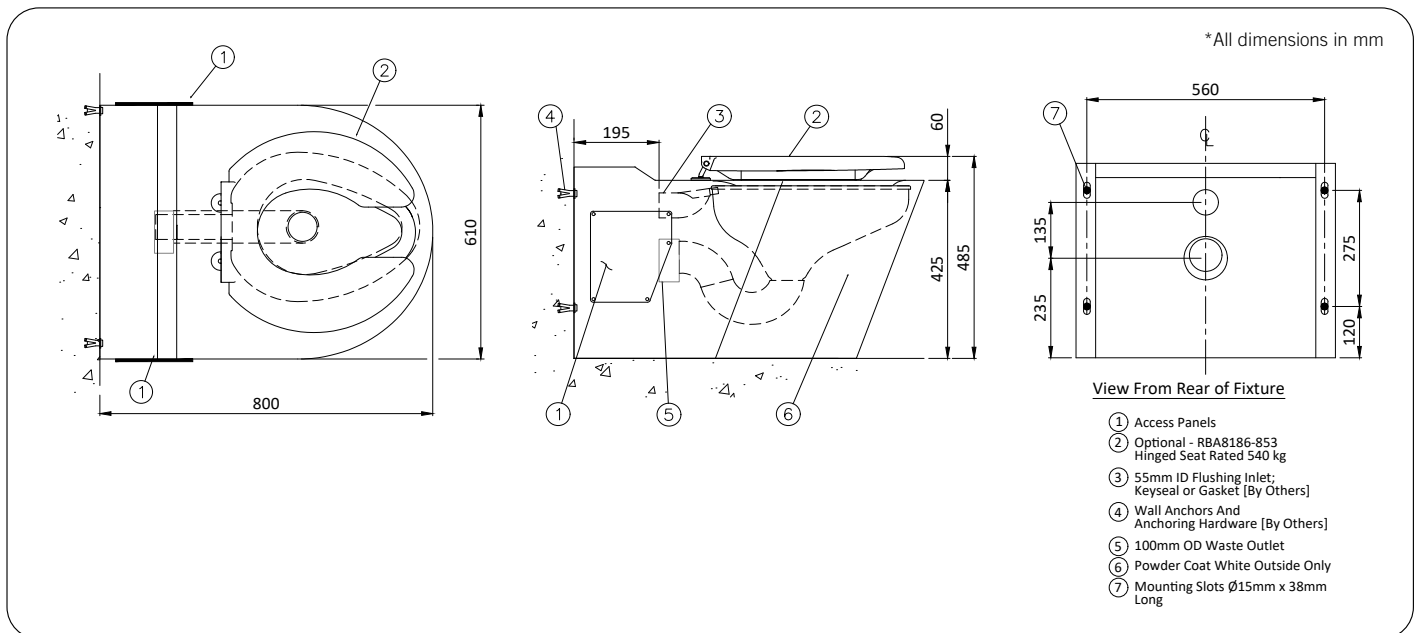
RBA8851-137-PP	Bariatric Toilet Enviro-Glaze® White External only, Internal Stainless [recommended]
RBA8851-137-SS	Bariatric Toilet Stainless External & Internal
RBA8851-777-014	Bariatric Toilet Enviro-Glaze® White External, with 20mm x 20mm cove fillet to suit vinyl flooring

Related Products

RBA8186-853	Big John Toilet Seat
RBA1882-100-503	Wave-n-Go™ Touch-Free Electronic Flush Valve, Small White Plate
RBA4007-112	Bariatric Drop Down Grab Rail, Left Hand
RBA4007-114	Bariatric Drop Down Grab Rail, Right Hand

Note: For Australia, Installation shall be in accordance with the PCA [Plumbing Code of Australia] and any relevant local authority requirements.

Important: Installation instructions and current rough-in details should be furnished with each fixture. Do not rough in without certified dimensions. Dimensions are subject to manufacturer's tolerance of +/-10mm.



As improvements in the design and performance of RBA products are continuous, specifications may be subject to change without notice. The illustrations and descriptions herein are applicable to production as of the date of this Technical Data Sheet. Revised 12/22 © 2022 by RBA Group TD/Model RBA8851-137-PP/1222