

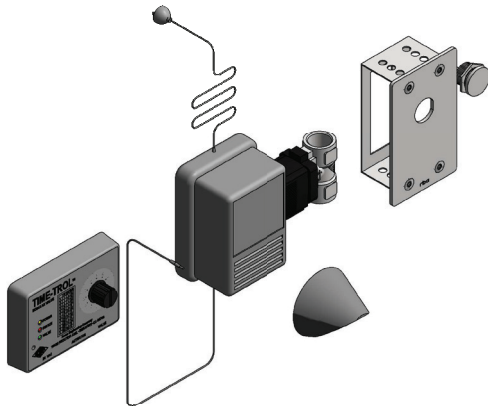
Model RBA8010-Series

Materials & Features

Time-Trol™ provides electronic timed flow through microprocessor control of a solenoid valve. The user activates a predetermined cycle of water flow by pressing a stainless steel piezo button. Building managers can easily select from 12 options which vary in run-time, lockout and cycle interrupt conditions. Suitable for public washrooms and showers, aquatic centres, sports locker rooms, caravan park amenities and other commercial installations.

Technical Detail

Plug pack transformer	240V AC to 24V AC
Watermarked solenoid	1/2" BSP - #316 SS
Piezo button	#316 SS
Force to activate	<20N
Piezo cable	3m, 7/0.3 1 pair overall screen cable
Solenoid cable	3m, 32/02 ELCF2810 0.75mm ² , Fig 8
Solenoid operating range	20-1000kPa
Temperature range	5°C-60°C
Shower head flow rate:	7Lpm [-101 only]
WELS Reg. number	S06168
Mains Power Supply (GPO)	By Others
Run Times	1,5,10,30 Seconds 1,3,5 Minutes

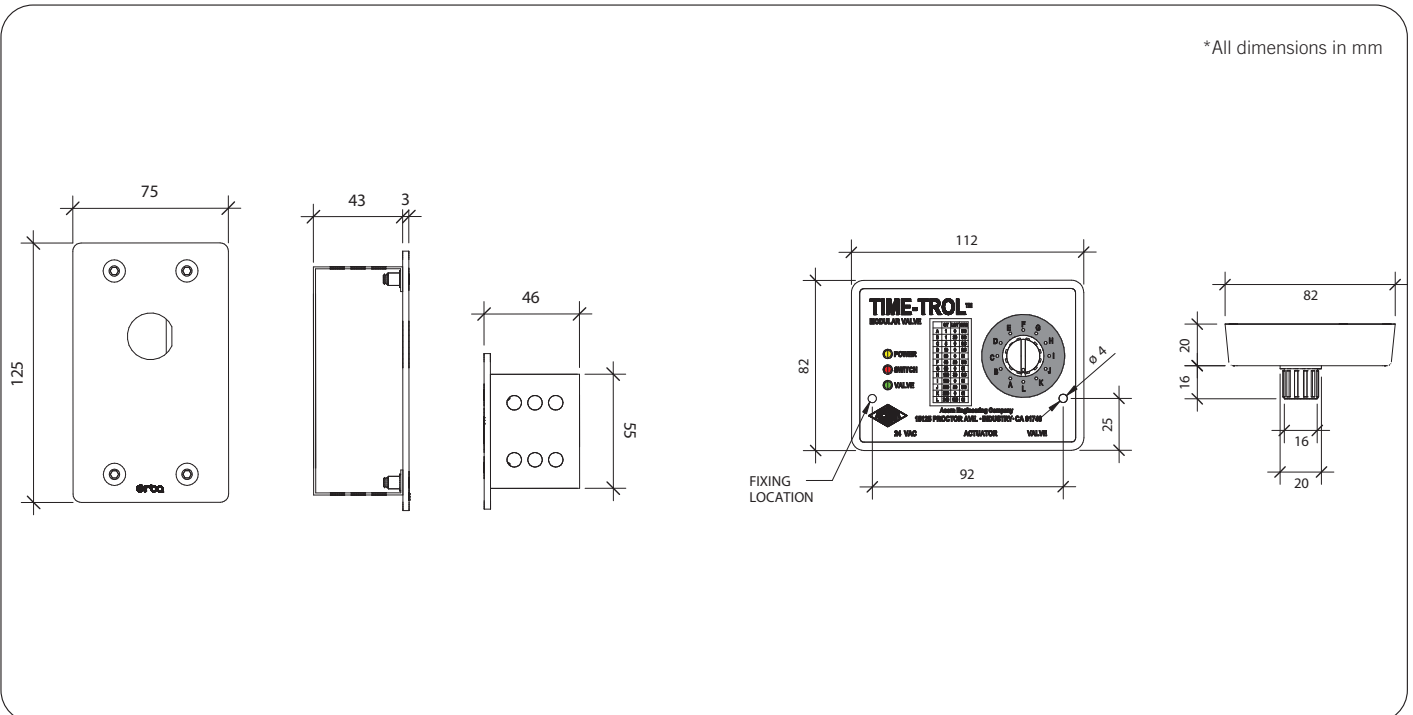


*RBA8010-101 shown

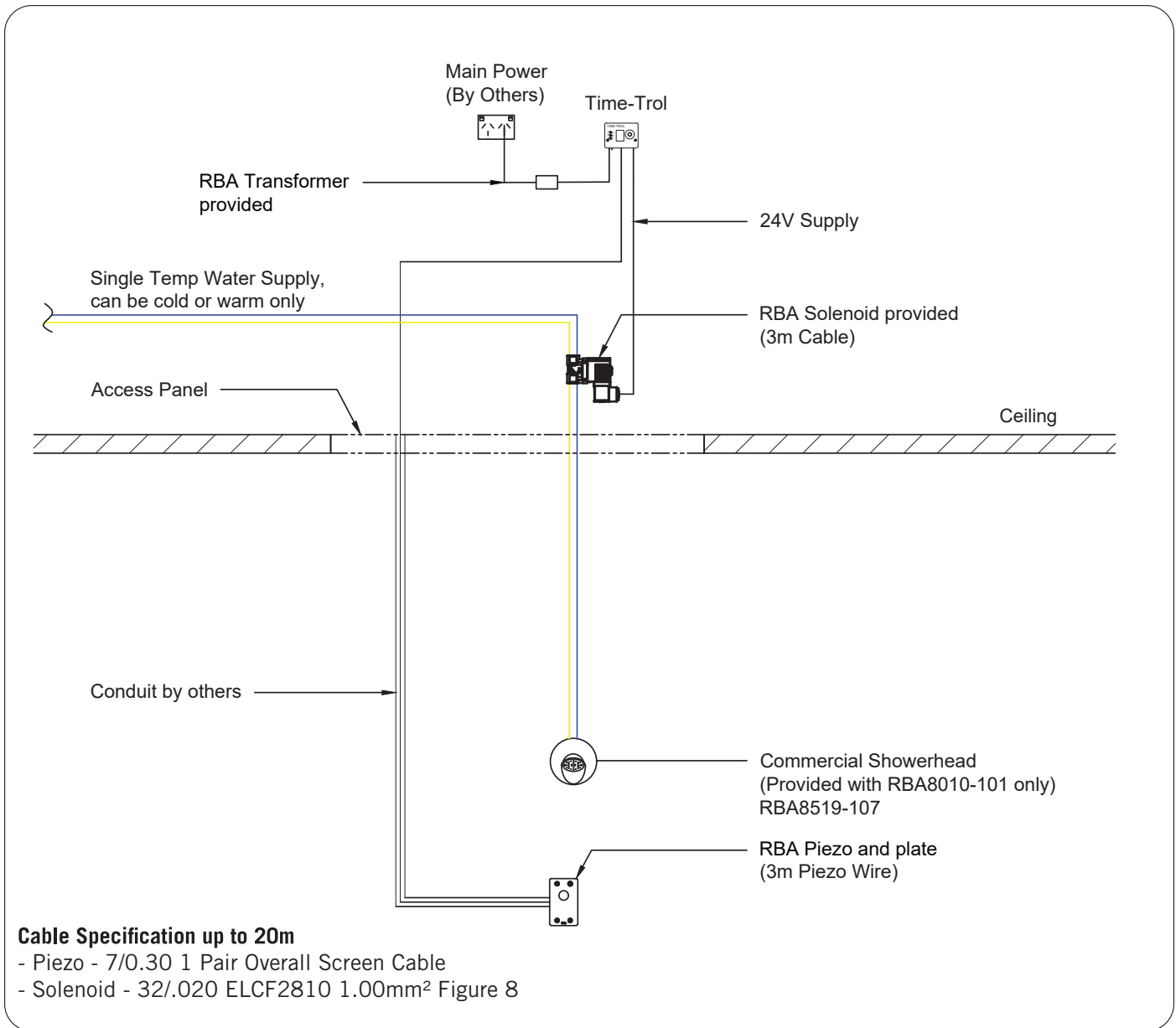
Available Models

- RBA8010-100** Valve controller + Stainless Steel Piezo plate + Watermarked Solenoid valve + power pack
- RBA8010-101** As per RBA8010-100 + 7Lpm shower head

Important: Installation instructions and current rough-in details should be furnished with each fixture. Do not rough in without certified dimensions. Dimensions are subject to manufacturer's tolerance of +/-10mm.



As improvements in the design and performance of RBA products are continuous, specifications may be subject to change without notice. The illustrations and descriptions herein are applicable to production as of the date of this Technical Data Sheet. Revised 10/21 © 2021 by RBA Group TD/Model RBA8010-Series/1021



Location	Run Time	Lockout Time Or Cycle Interrupt
A	1 second	No lockout
B	1 second	30 second lockout
C	5 second	No lockout but with cycle interrupt
D	10 second	No lockout but with cycle interrupt
E	30 second	No lockout but with cycle interrupt
F	1 Minute	30 seconds lockout
G	1 Minute	No lockout but with cycle interrupt
H	3 Minute	30 seconds lockout
I	3 Minute	No lockout but with cycle interrupt
J	5 Minute	30 seconds lockout
K	5 Minute	No lockout but with cycle interrupt
L	4 Minute	3 minutes lockout

Lockout: This function sends the unit into a ‘blind’ mode and is unable to be activated for a preset period.
Cycle Interrupt: This feature enables the user to terminate the metering cycle at any time by simply re-pushing the actuator.