

Model RBA4604-069



*Potential Installation for RH Shown

Materials & Features

Set consists of a wall mounted Stainless Steel shower grab rail, complete with slider, handset and 1.5M hose. Water supply connection includes backflow prevention. Grab rail is accessible compliant when installed in accordance with AS1428.1-2009 [Amdt. 2010] and local building codes. Rails are ambidextrous and vertical rail can be positioned left, right or centre.

Technical Detail

Rail:	32mm [Dia], 304 Stainless Steel
Finish:	Chrome Plated
Hose:	1.5m
Handset:	6 LPM, 5 Star WELS
Inlet Connection:	DN 15mm (1/2") BSP Includes backflow prevention
Water Pressure:	150-500 kpa
Water Temperature:	50°C Maximum
WELS Reg. Number	S14913
SWL:	200Kg [independently tested- contact RBA Group for test documentation].

Available Models

RBA4604-069

Raffaello Shower T-Rail Set Incl, 5 Star WELS Handset & Slider, Chrome

Related Products

RBA4605-069

Raffaello Shower T-Rail Set Incl, 5 Star WELS Handset, Slider & Mixer, Chrome

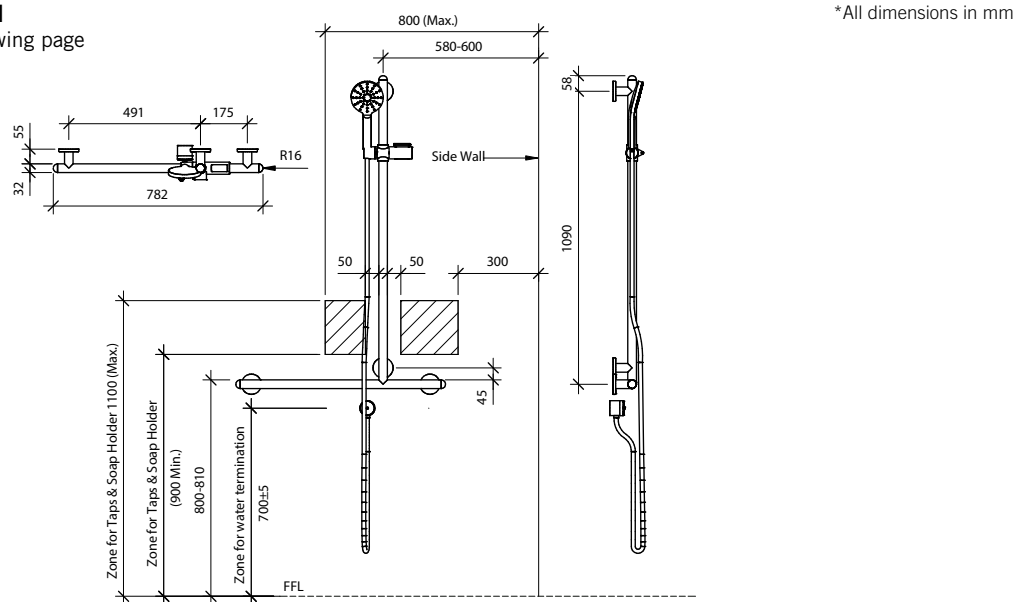
Installation

Warning: Grab rails are no stronger than the anchors or walls to which they are attached and must be firmly secured in order to support the loads for which they are intended. Refer local codes and Installation Instructions for location of fixing points, method of attachment, etc.

Important: Installation instructions and current rough-in details should be furnished with each fixture. Do not rough in without certified dimensions. Dimensions are subject to manufacturer's tolerance of +/-10mm.

Potential Installation - Right Hand

For Left Hand installation see following page

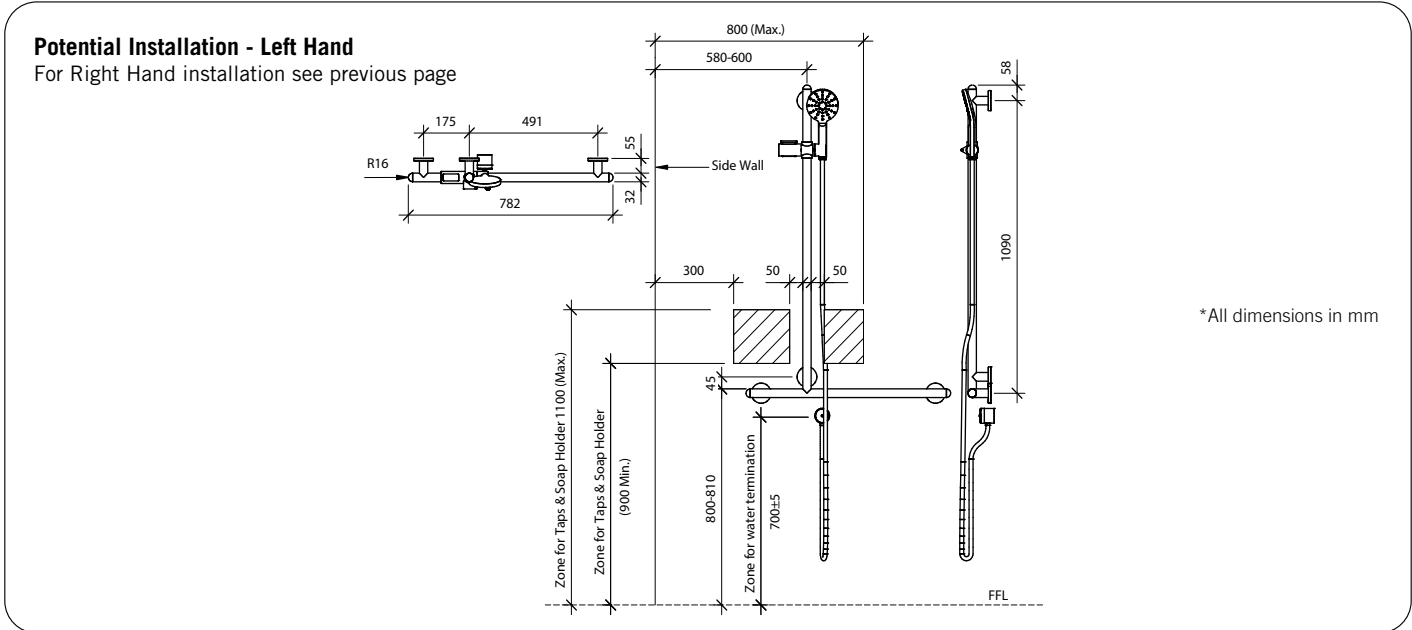


As improvements in the design and performance of RBA products are continuous, specifications may be subject to change without notice. The illustrations and descriptions herein are applicable to production as of the date of this Technical Data Sheet. Revised 07/22 © 2022 by RBA Group TD/Model RBA4604-069/0722

Model RBA4604-069



Important: Installation instructions and current rough-in details should be furnished with each fixture. Do not rough in without certified dimensions. Dimensions are subject to manufacturer's tolerance of +/-10mm.



As improvements in the design and performance of RBA products are continuous, specifications may be subject to change without notice. The illustrations and descriptions herein are applicable to production as of the date of this Technical Data Sheet. Revised 07/22 © 2022 by RBA Group TD/Model RBA4604-069/0722