

## Model RBA4604-068



### Materials & Features

Set consists of matte black shower handset, 1.5M hose, wall connection [includes backflow prevention], complete with slider and T-rail. Grab rail is accessible compliant when installed in accordance with AS1428.1-2009 [Amdt. 2010] and local building codes. Rails are ambidextrous and vertical rail can be positioned left, right or centre.

### Technical Detail

Rail:	32mm [Dia], 304 Stainless Steel Matte Black Anti-Bacterial
Hose:	1.5m, Matte Black
Handset:	6 LPM, Matte Black, 5 Star WELS
Slider:	32mm, Matte Black
Inlet Connection:	DN 15mm (1/2") BSP Includes backflow prevention
Water Pressure:	150-500 kpa
Water Temperature:	50°C Maximum
WELS Reg. Number	S14914
SWL:	200Kg [independently tested- contact RBA Group for test documentation].

### Available Models

**RBA4604-068**

Raffaello Matte Black Shower T-Rail Incl, 5 Star WELS Matte Black Handset & Slider

### Related Products

**RBA4605-068**

Raffaello Matte Black Shower T-Rail Incl, 5 Star WELS Matte Black Handset, Slider & Mixer

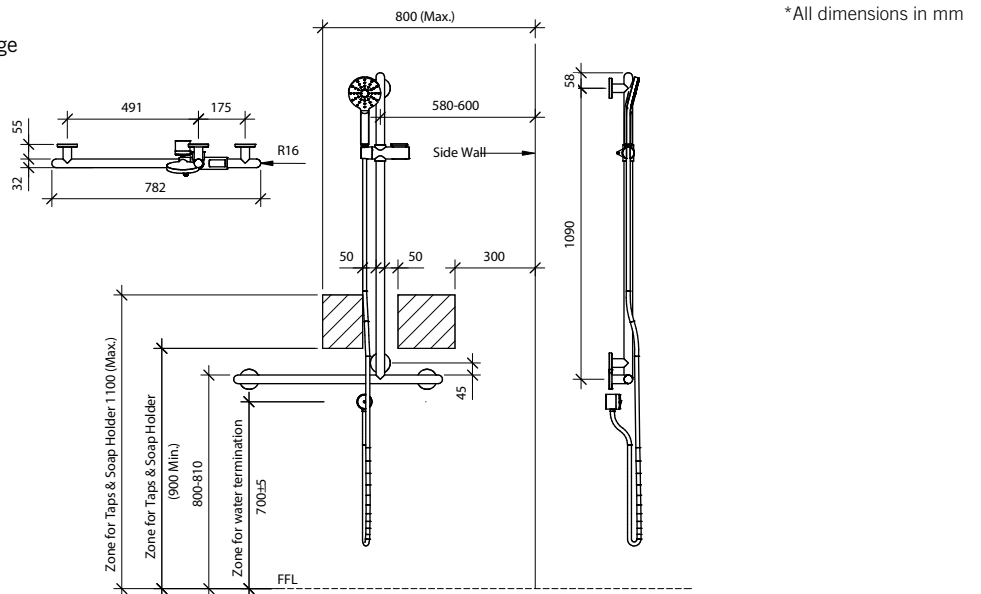
### Installation

Warning: Grab rails are no stronger than the anchors or walls to which they are attached and must be firmly secured in order to support the loads for which they are intended. Refer local codes and Installation Instructions for location of fixing points, method of attachment, etc.

**Important:** Installation instructions and current rough-in details should be furnished with each fixture. Do not rough in without certified dimensions. Dimensions are subject to manufacturer's tolerance of +/-10mm.

#### Potential Installation - Right Hand

For Left Hand installation see following page



As improvements in the design and performance of RBA products are continuous, specifications may be subject to change without notice. The illustrations and descriptions herein are applicable to production as of the date of this Technical Data Sheet. Revised 07/22 © 2022 by RBA Group TD/Model RBA4604-068/0722

## Model RBA4604-068

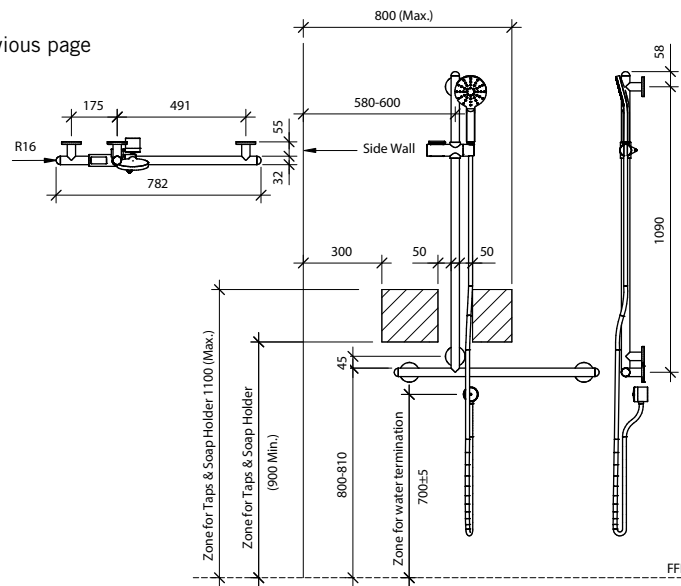


\*Potential Installation for LH Shown

**Important:** Installation instructions and current rough-in details should be furnished with each fixture. Do not rough in without certified dimensions. Dimensions are subject to manufacturer's tolerance of +/-10mm.

### Potential Installation - Left Hand

For Right Hand installation see previous page



\*All dimensions in mm

