

Model RBA4040-002



Materials & Features

Stainless Steel 40° angled grab rail meets all requirements of the ambulant section of AS1428.1-2009 (amdt 1, 2010) when installed correctly. The snap flange cover conceals the fixings.

Technical Detail

Rail 32mm [Dia], 304 Satin Stainless Steel
 Fixings By others

Available Model

RBA4040-002 40° Ambulant Toilet Grab Rail, Right Hand

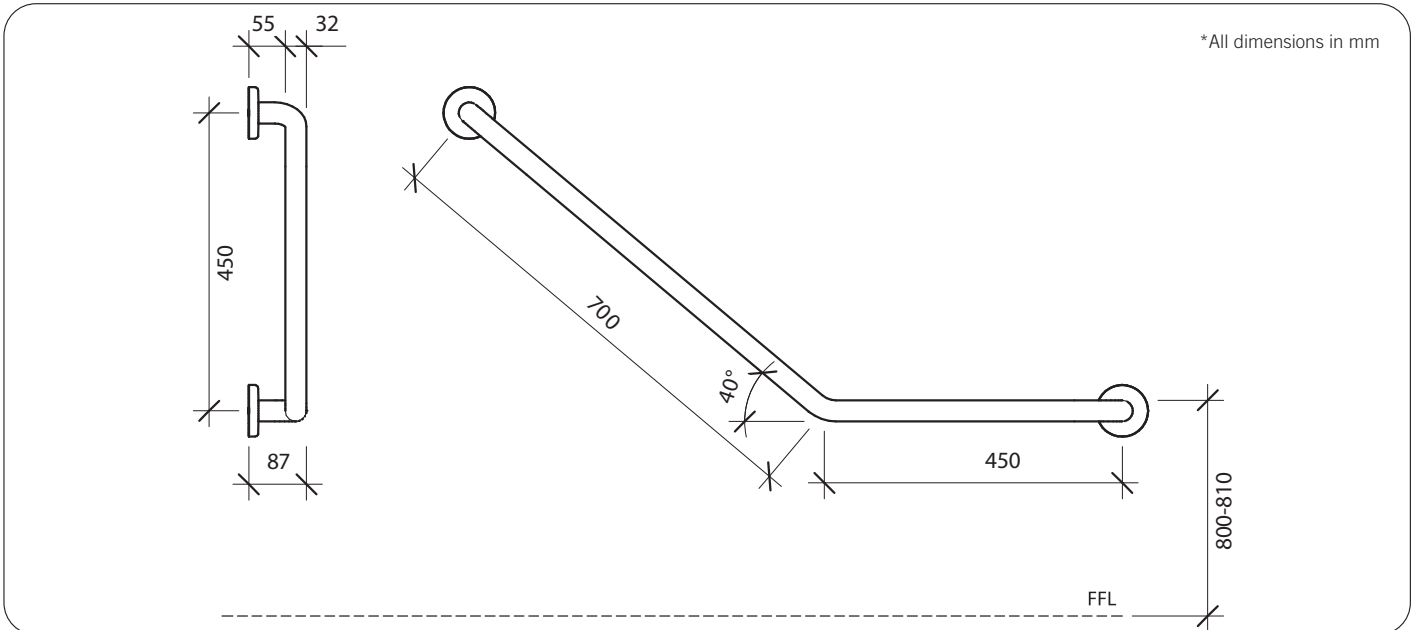
Related Products

- RBA4040-001** 40° Ambulant Toilet Grab Rail, Left Hand
- RBA4090-999-001** Single Dress Plate for panel mounting
- RBA4330-022** Tactile Sign, Male Ambulant, 316 Stainless Steel
- RBA4330-023** Tactile Sign, Female Ambulant, 316 Stainless Steel

Installation

Warning: Grab rails are no stronger than the anchors or walls to which they are attached and must be firmly secured in order to support the loads for which they are intended. Refer local codes and Installation Instructions for location of fixing points, method of attachment, etc.

Important: Installation instructions and current rough-in details should be furnished with each fixture. Do not rough in without certified dimensions. Dimensions are subject to manufacturer's tolerance of +/-10mm.



As improvements in the design and performance of RBA products are continuous, specifications may be subject to change without notice. The illustrations and descriptions herein are applicable to production as of the date of this Technical Data Sheet. Revised 04/21 © 2021 by RBA Group TD/Model RBA4040-002/0421