

## MODEL

## RBA8889-SERIES

<b>RBA8889-181</b>	Curvilinear™ Single Basin
<b>RBA8889-182</b>	Curvilinear™ Single Basin with Trap Cover
<b>RBA8889-186</b>	Curvilinear™ Single Basin with Trap Cover & Tap
<b>RBA8889-281</b>	Curvilinear™ Double Basin
<b>RBA8889-282</b>	Curvilinear™ Double Basin with Trap Cover
<b>RBA8889-286</b>	Curvilinear™ Double Basin with Trap Cover & Tap
<b>RBA8889-381</b>	Curvilinear™ Triple Basin
<b>RBA8889-382</b>	Curvilinear™ Triple Basin with Trap Cover
<b>RBA8889-386</b>	Curvilinear™ Triple Basin with Trap Cover & Tap
<b>RBA8889-481</b>	Curvilinear™ Quad Basin
<b>RBA8889-482</b>	Curvilinear™ Quad Basin with Trap Cover



\*RBA8889-186 Shown



As improvements in the design and performance of RBA products are continuous, specifications may be subject to change without notice. The illustrations and descriptions herein are applicable to production as of the date of this Installation Instructions Sheet. Revised 04/22 © 2022 by RBA Group II/Model RBA 8889-Series/0422

### **Components Supplied:**

- S/S Curvalinear Basin
- S/S Trap Cover [If ordered]
- Tapware [If ordered]
- Torx Security Bit
- Fixing “S” Clip
- 40mm Waste Outlet

### **Components Supplied By Others:**

- 40mm Iplex LLP trap
- Wall fixings
- Taps, pipe & fittings

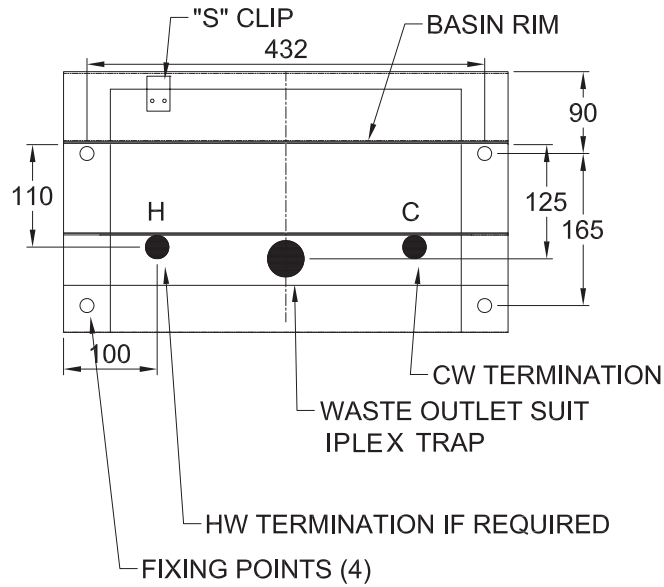
### **Installation**

1. Check Architects drawings prior to installation for mounting locations and details.
2. Fix the “S” clip to the wall using appropriate wall anchors provided by others, such that the basin finishes at a height of 864mm from finished floor, or at a height determined by the architect or construction manager, and consistent with authority requirements.
3. With the trap cover removed [if supplied], support the unit on the “S” clip, check for height and level, and mark the fixing points for drilling.
4. Drill the wall, place fixings and secure the basin to the wall, once again ensuring the unit is level and in the correct location.
5. Install the waste outlet, and trap by others, make the necessary water connections.
6. Check for leaks and refit the trap cover [if supplied]. It is considered good practice to lubricate s/s screws with Nickel Anti-seize lubricant to prevent screws locking.

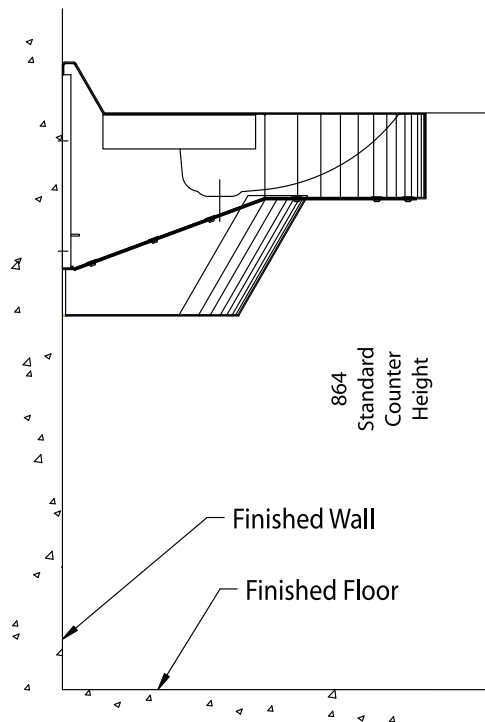
## Rough In

Water should be terminated with a mini-cock in the locations shown in Fig 1. Position for waste outlet should be as shown, allowing for a 40mm Iplex LLP trap, using either copper or uPVC. If fixing to a timber stud wall, place noggings between the studs in the appropriate positions, for fixing the basin. Ensure that the wall construction is sufficient to support the basin under load.

**NOTE:** Basin is compliant with AS 1428.1-2009 when installed as per the manufacturers instructions and used with similarly compliant tapware e.g. RBA1083-607.



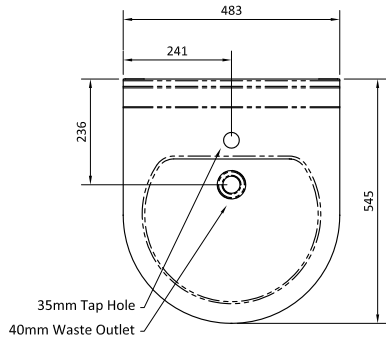
REAR VIEW  
FIG. 1



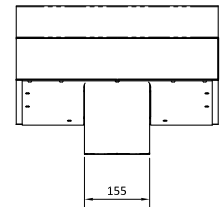
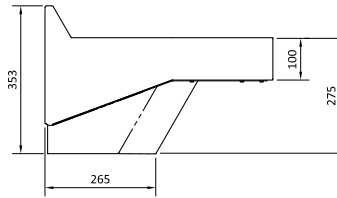
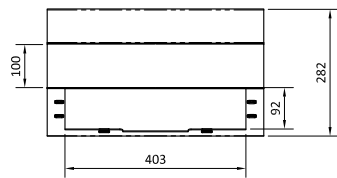
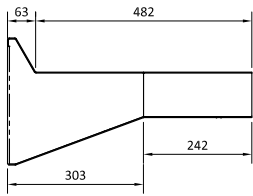
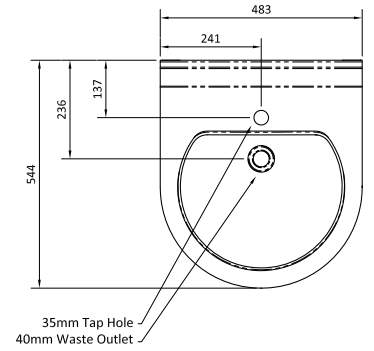
SIDE VIEW

**Dimensions**

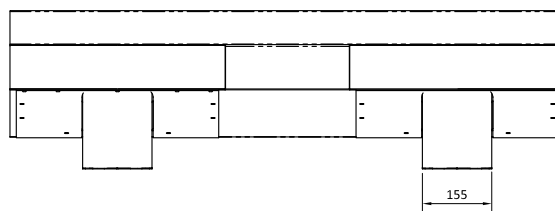
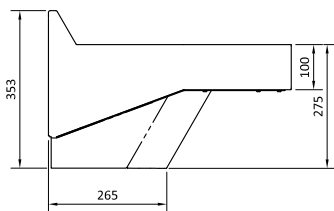
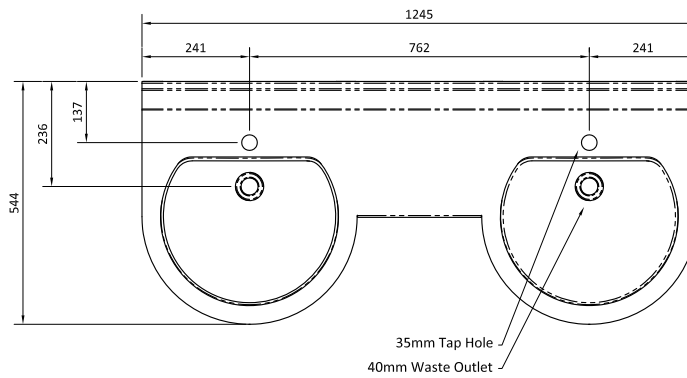
**RBA8889-181**  
Curvalinear™ Single Basin



**RBA8889-182**  
Curvalinear™ Single Basin With Trap Cover

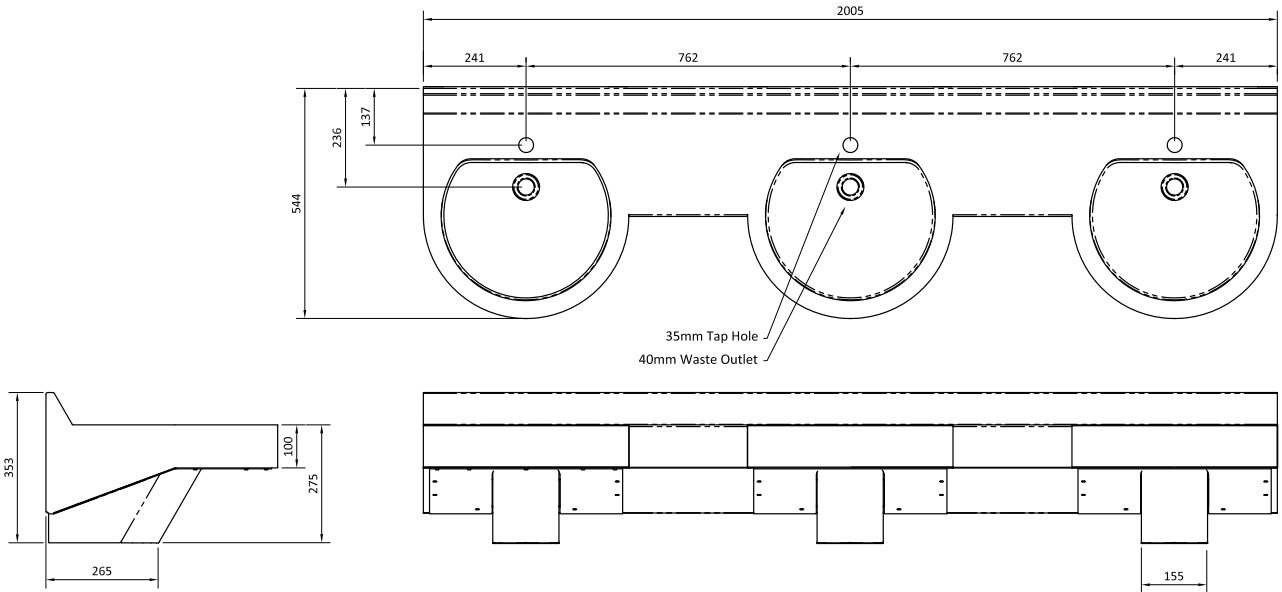


**RBA8889-282**  
Curvalinear™ Double Basin With Trap Cover



**RBA8889-382**

Curvalinear™ Triple With Trap Cover



**RBA8889-482**

Curvalinear™ Quad With Trap Cover

