

## Model RBA8847-428



### Materials & Features

External surface is satin finish. Internal bowl is matt finish for hygiene, easy cleaning and scale resistance. The integrated seat is bright polished for hygiene and comfort. Pre-drilled to suit security toilet seat. Laser-cut, flush-fitting access panels on both sides are fixed with security screws. Suitable for front or rear fix and P- or S-Trap installations.

### Technical Detail

|                    |  |
|--------------------|--|
| Outlet Connection: | P-Trap 100mm OD<br>S-Trap Converter provided |
| Pan Collar:        | Standard [by others]                         |
| Inlet Connection:  | 55mm ID [key seal by others]                 |
| Bowl and Trap:     | 1.9mm, 304 Satin Stainless Steel             |
| Housing:           | 1.5mm, 304 Satin Stainless Steel             |
| Rear Fix Kit:      | 4 x M12 bolts provided                       |
| Front Fixings:     | By others                                    |
| Security Seat:     | Included                                     |

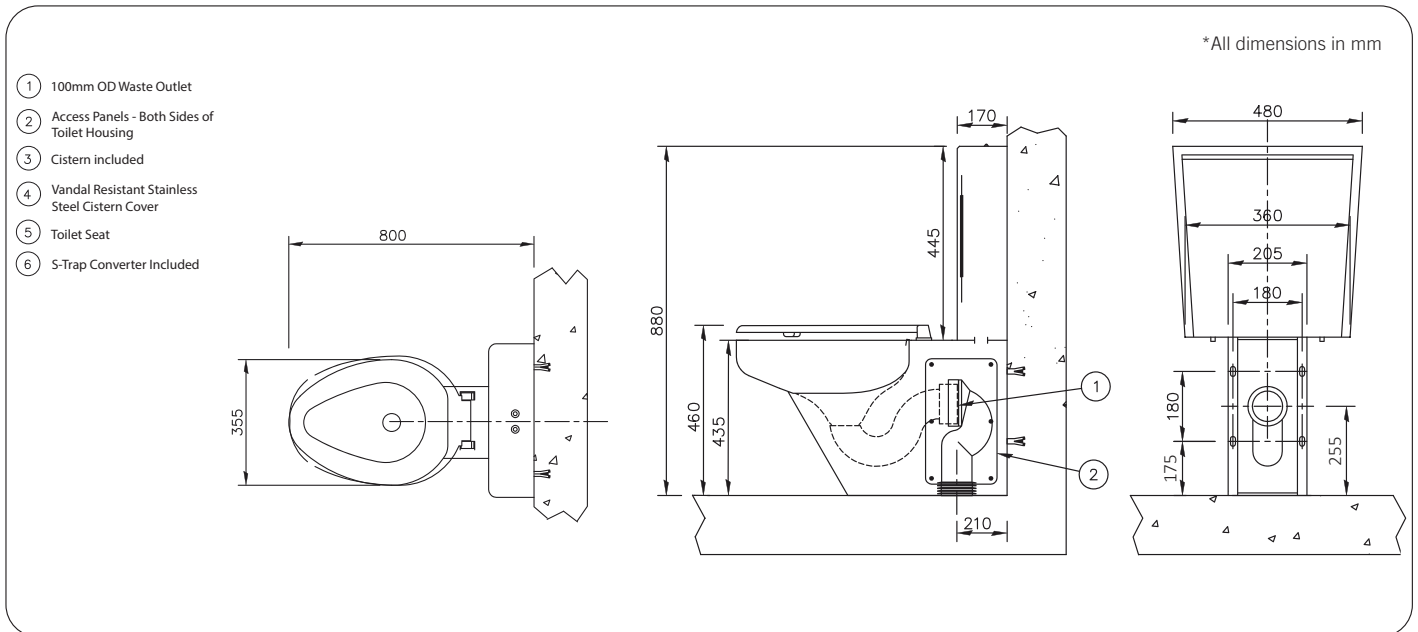
### Available Models

**RBA8847-428**      Stainless Steel WC | Accessible Suite

### Related Products

- RBA4150-230**      90° Wraparound Grab Rail & Backrest, Left Hand
- RBA3001-160**      Dual WC Flush Valve Mains Pressure
- RBA8867-186**      'Benefit' Accessible Basin, incl. Tapware

**Important:** Installation instructions and current rough-in details should be furnished with each fixture. Do not rough in without certified dimensions. Dimensions are subject to manufacturer's tolerance of +/-10mm.



As improvements in the design and performance of RBA products are continuous, specifications may be subject to change without notice. The illustrations and descriptions herein are applicable to production as of the date of this Technical Data Sheet. Revised 06/21 © 2021 by RBA Group TD/Model RBA8847-428/0621