

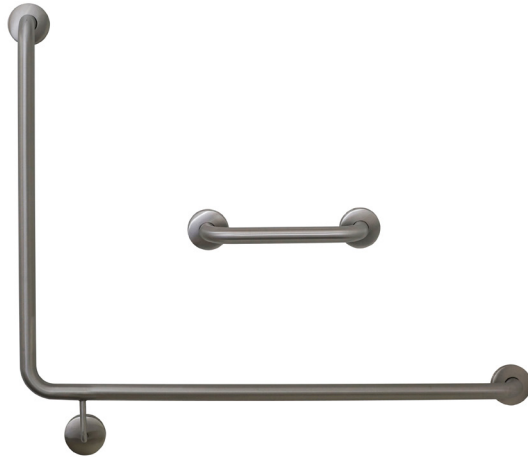
Model RBA4090-301

Materials & Features

Stainless steel 90° WC right hand grab rail and 300mm straight rail meet the requirements of AS1428.1-2009. The snap flange cover conceals the fixings.

Technical Detail

Rail: 32mm [Dia], 304 Satin Stainless Steel
 Fixings: By others



Available Model

RBA4090-301 90° Toilet Grab Rail Set, Right Hand

Related Products

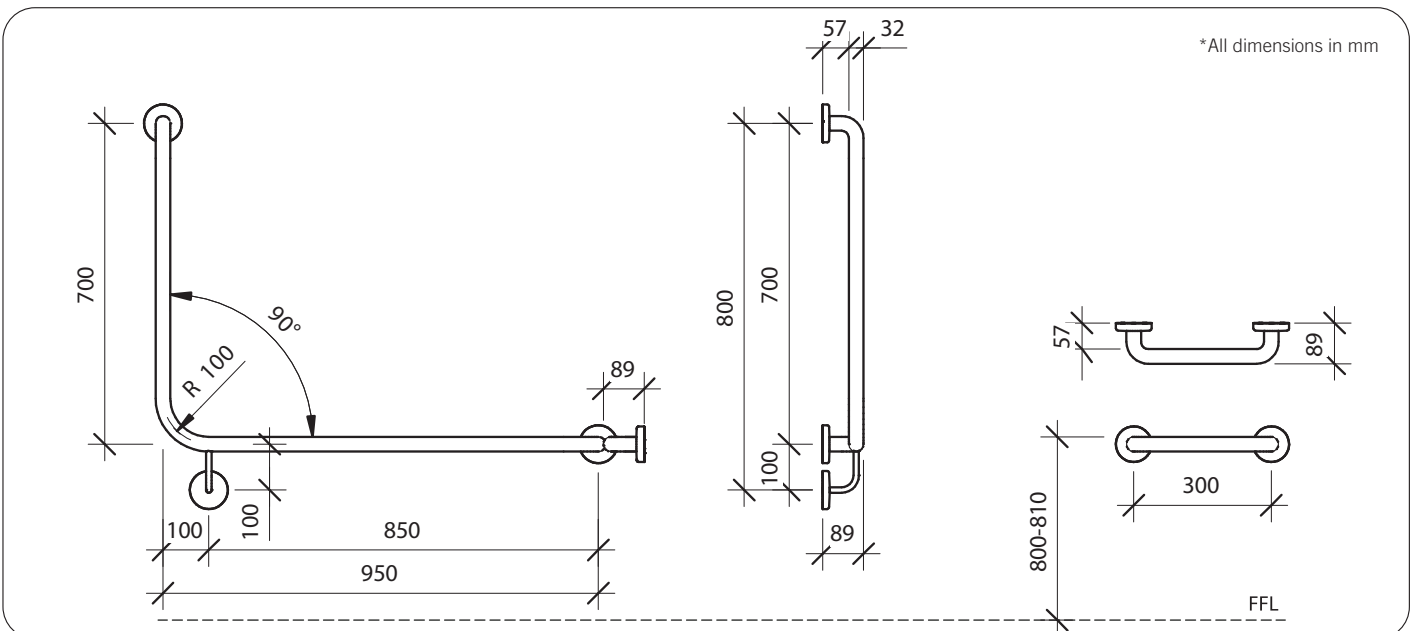
RBA4090-300 90° Toilet Grab Rail Set, Left Hand

RBA4150-101 Accessible Compliant Backrest

Installation

Warning: Grab rails are no stronger than the anchors or walls to which they are attached and must be firmly secured in order to support the loads for which they are intended. Refer local codes and Installation Instructions for location of fixing points, method of attachment, etc.

Important: Installation instructions and current rough-in details should be furnished with each fixture. Do not rough in without certified dimensions. Dimensions are subject to manufacturer's tolerance of +/-10mm.



Global-Mark.com.au®
 Sourced / Supplied under QMS