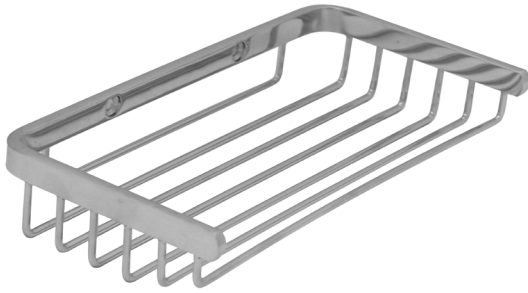


Model RBA1622-151

Materials & Features

Manufactured from Stainless Steel with all exposed surfaces chrome plated. ënda is a suite of attractive commercial grade accessories with radiused corners and edges to increase comfort and minimise catch.



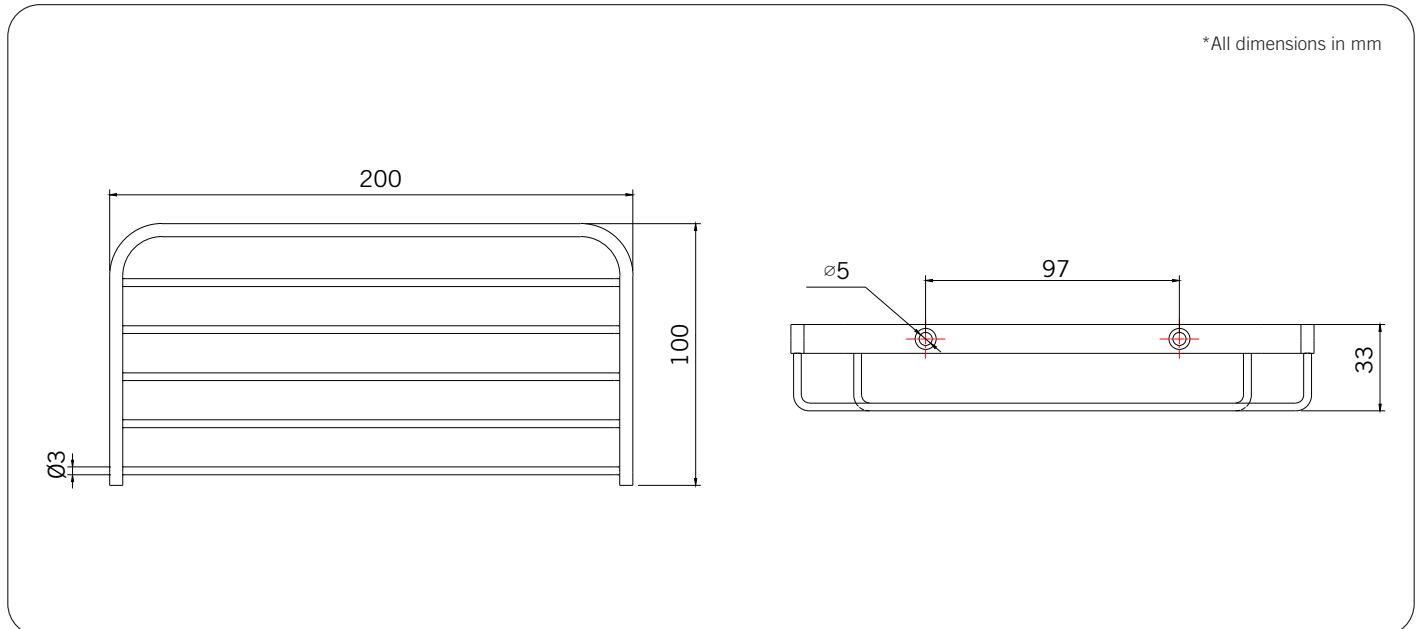
Technical Detail

Material: Chrome Plated Stainless Steel
 Finish: Chrome plated
 Fixings: Included

Available Model

RBA1622-151 ënda Soap Basket

Important: Installation instructions and current rough-in details should be furnished with each fixture. Do not rough in without certified dimensions. Dimensions are subject to manufacturer's tolerance of +/-10mm.



As improvements in the design and performance of RBA products are continuous, specifications may be subject to change without notice. The illustrations and descriptions herein are applicable to production as of the date of this Technical Data Sheet. Revised 04/21 © 2021 by RBA Group TD/Model RBA1622-151/0421



ënda Robe Hook #1

20mm[W] x 65mm[H] x
21mm[D]

RBA1622-102



ënda Robe Hook #3

20mm[W] x 45mm[H] x
35mm[D]

RBA1622-104



ënda Toilet Roll Holder #1

140mm[W] x 30mm[H] x
85mm[D]

RBA1622-107



ënda Toilet Roll Holder #2

130mm[W] x 81mm[H] x
74mm[D]

RBA1622-105



ënda Soap Dish

110mm[W] x 38mm[H] x
110mm[D]

RBA1622-101



ënda Acrylic Shelf to AS1428.1-2009

395mm [W] x 29mm[H] x
147mm[D]

RBA1622-106



ënda Single Towel Rail

600mm[W] x 30mm[H] x
70mm[D]

RBA1622-108



ënda Double Towel Rail

600mm[W] x 30mm[H] x
105mm[D]

RBA1622-109