

## Model RBA1321-200



### Materials & Features

Constructed from heavy duty lead-free DZR brass finished in chrome, the Bronte Sensor Tap includes an above the bench solenoid to simplify maintenance and installation. The IR sensor minimises common touchpoints between users. Suitable for public washrooms, offices, schools, shopping centres, stadiums, airports & accessible installations.

### Technical Detail

Inlet:	½" BSP
Operating Pressure:	200-500 kPa
Max. Temp.:	45°C
Flow Rate:	6 Star, 6LPM
Power Supply:	230VAC 50-60Hz / 6VDC, 1A

### Installation

RBA1321-series requires a bunch cut out of  $\varnothing 35\text{mm}$  with a maximum bench thickness of 30mm.

### Available Model

**RBA1321-200** Bronte Sensor Tap | Chrome

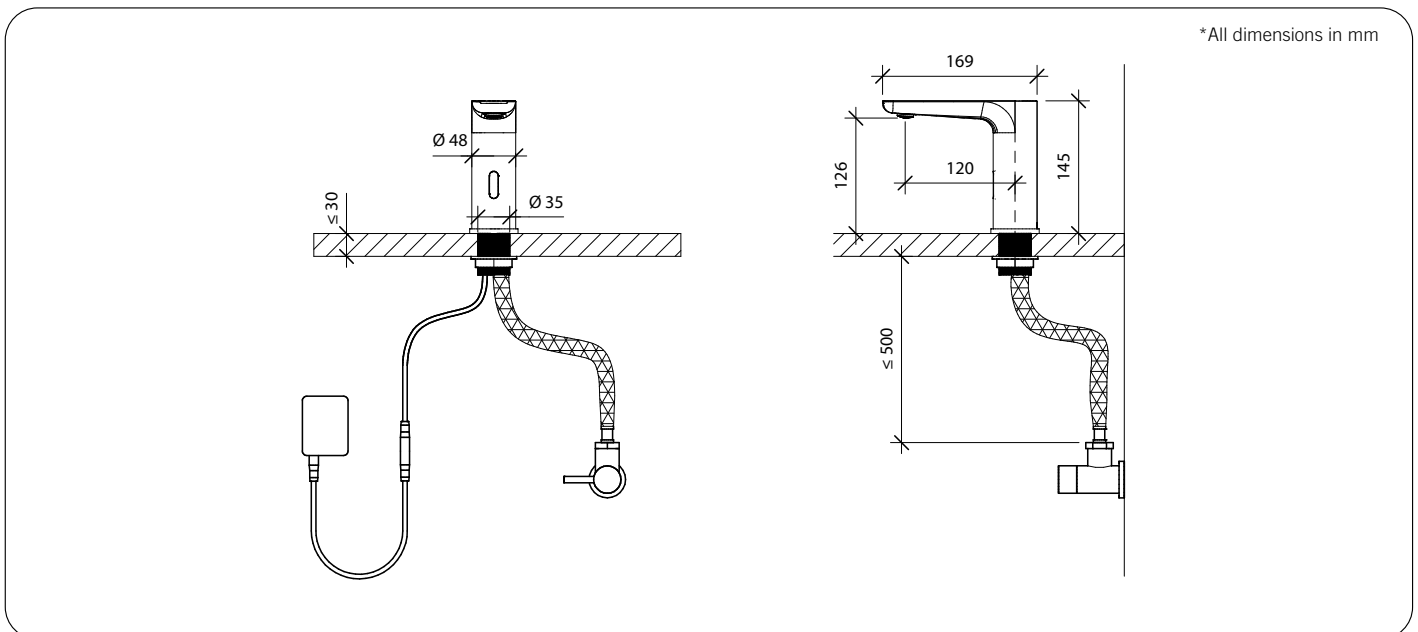
### Related Models

- RBA1301-200** Coogee Sensor Tap | Basin Mount | Chrome
- RBA1311-200** Coogee Sensor Tap | Wall Mount | Chrome
- RBA1211-600** Formatta Sensor Tap | Basin Mount | Chrome

**For best results**, unit should be inspected and cleaned regularly as per the instructions in the RBA Product Warranty, Cleaning Care Guide, available on our websites.

**Note:** For Australia, Installation shall be in accordance with the PCA [Plumbing Code of Australia] and any relevant local authority requirements.

**Important:** Installation instructions and current rough-in details should be furnished with each fixture. Do not rough in without certified dimensions. Dimensions are subject to manufacturer's tolerance of +/-10mm.



As improvements in the design and performance of RBA products are continuous, specifications may be subject to change without notice. The illustrations and descriptions herein are applicable to production as of the date of this Technical Data Sheet. Revised 01/25 © 2025 by RBA Group TD/Model RBA1321-200/0125