

Models RBA8880-100 RBA8880-777-002



Materials & Features

Manufactured from stainless steel with all exposed surfaces in satin finish. Trap is fully enclosed. Rear fixed option available on request. Fully concealed fixings. Radiused corners and tapware for ligature & vandal resistance. Tapware included.

Technical Detail

Basin and Housing:	1.6mm, type 304 stainless steel
Trap:	40mm Iplex low level P-trap (by others)
Waste Connection:	40mm BSP waste
Tap Outlet:	6 star WELS, satin stainless steel timed flow
Tap Inlet:	½" BSP
Flow Time:	5-60 seconds [adjustable] Factory set 45 sec
Fixings:	By others

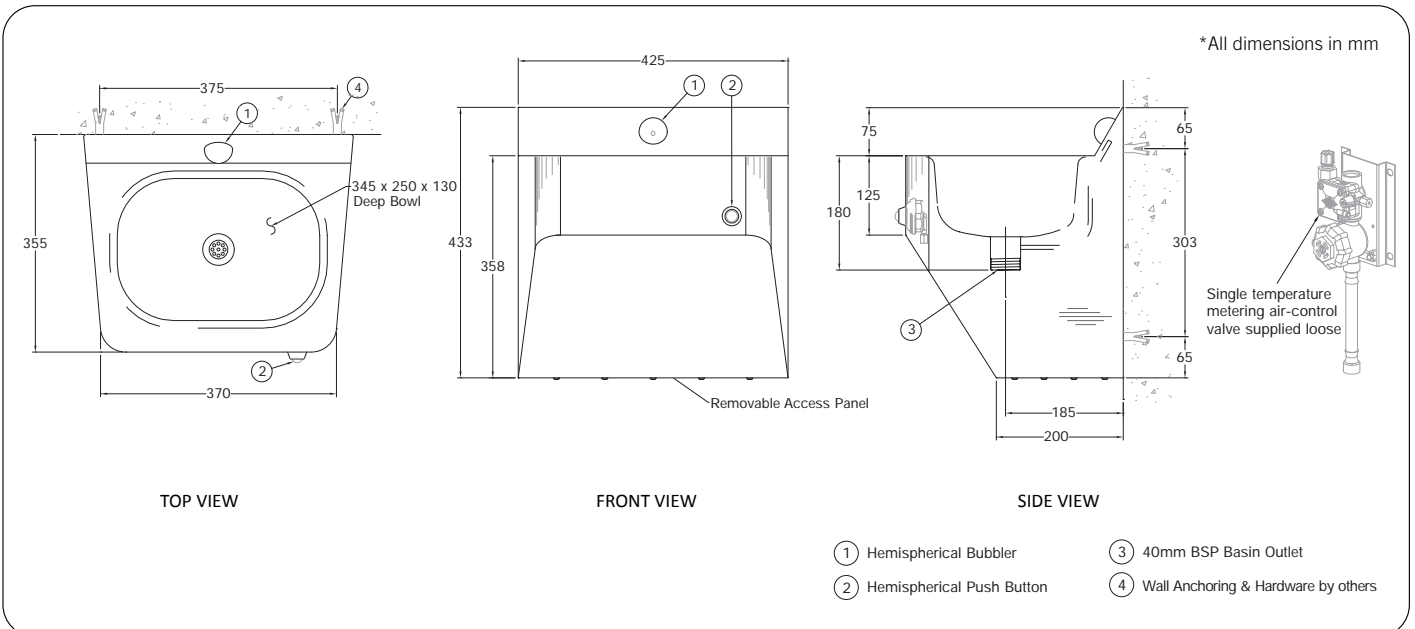
Available Models

RBA8880-100	Wall Mounted Security Basin
RBA8880-777-002	Wall Mounted Security Basin, EnviroGlaze® White

Related Products

RBA8519-201	Coolum Commercial Ligature Resistant Shower Set
RBA8847-428	Accessible Compliant Stainless Steel Toilet Suite with Seat
RBA1055-530	Security Time Flow Shower Valve

Important: Installation instructions and current rough-in details should be furnished with each fixture. Do not rough in without certified dimensions. Dimensions are subject to manufacturer's tolerance of +/-10mm.



As improvements in the design and performance of RBA products are continuous, specifications may be subject to change without notice. The illustrations and descriptions herein are applicable to production as of the date of this Technical Data Sheet. Revised 02/24 © 2024 by RBA Group TD/Models RBA8880-100/0224



Please note: While RBA takes all reasonable measures to ensure our ligature resistant products consistently perform as advertised, we do not perform load testing on every item. RBA strongly recommends all customers perform their own load testing on each item prior to installation and at regular intervals throughout the life of the product.

RBA does not offer or warrant any of our products as 'anti-ligature' as no product can be truly ligature-free. RBA will not be liable for any claims, losses or damage arising from ligature attachment to our products. It is the responsibility of the purchaser and installer to ensure supplied products are suitable for the environments they are to be installed into.