

MODELS

STAINLESS STEEL TOILET SUITE

RBA8847-100

Stainless Steel Toilet Suite with Seat | P-Trap

RBA8847-428

Stainless Steel Toilet Suite with Seat | Accessible | P-Trap [shown]



As improvements in the design and performance of RBA products are continuous, specifications may be subject to change without notice. The illustrations and descriptions herein are applicable to production as of the date of this Installation Instructions Sheet. Revised 07/24 © 2024 by RBA Group II/Model RBA8847-series/0724

Components Supplied

- P-Trap stainless steel pan
- S-Trap converter
- Cistern
- Cistern cover
- Buttons
- M12 fixing bolts
- Toilet seat with lid [incl with RBA8847-100]
- Toilet seat without lid [incl with RBA8847-428]

Components Supplied by Others

- 100mm pan collar
- Wall/floor anchors
- 55mm Kee seal [Geberit 119.668.00.1]
- ½" mini cock

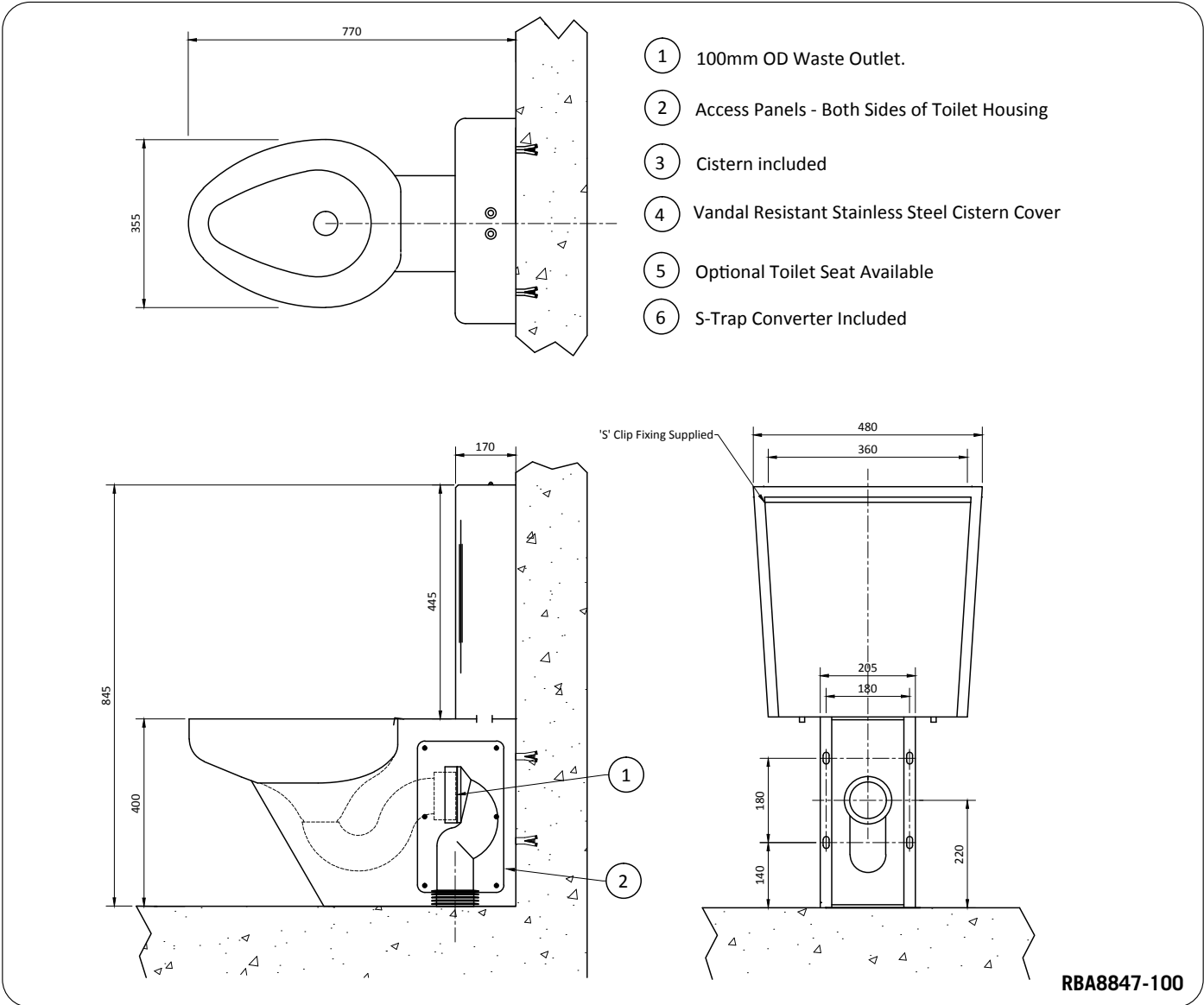
Pre-Installation

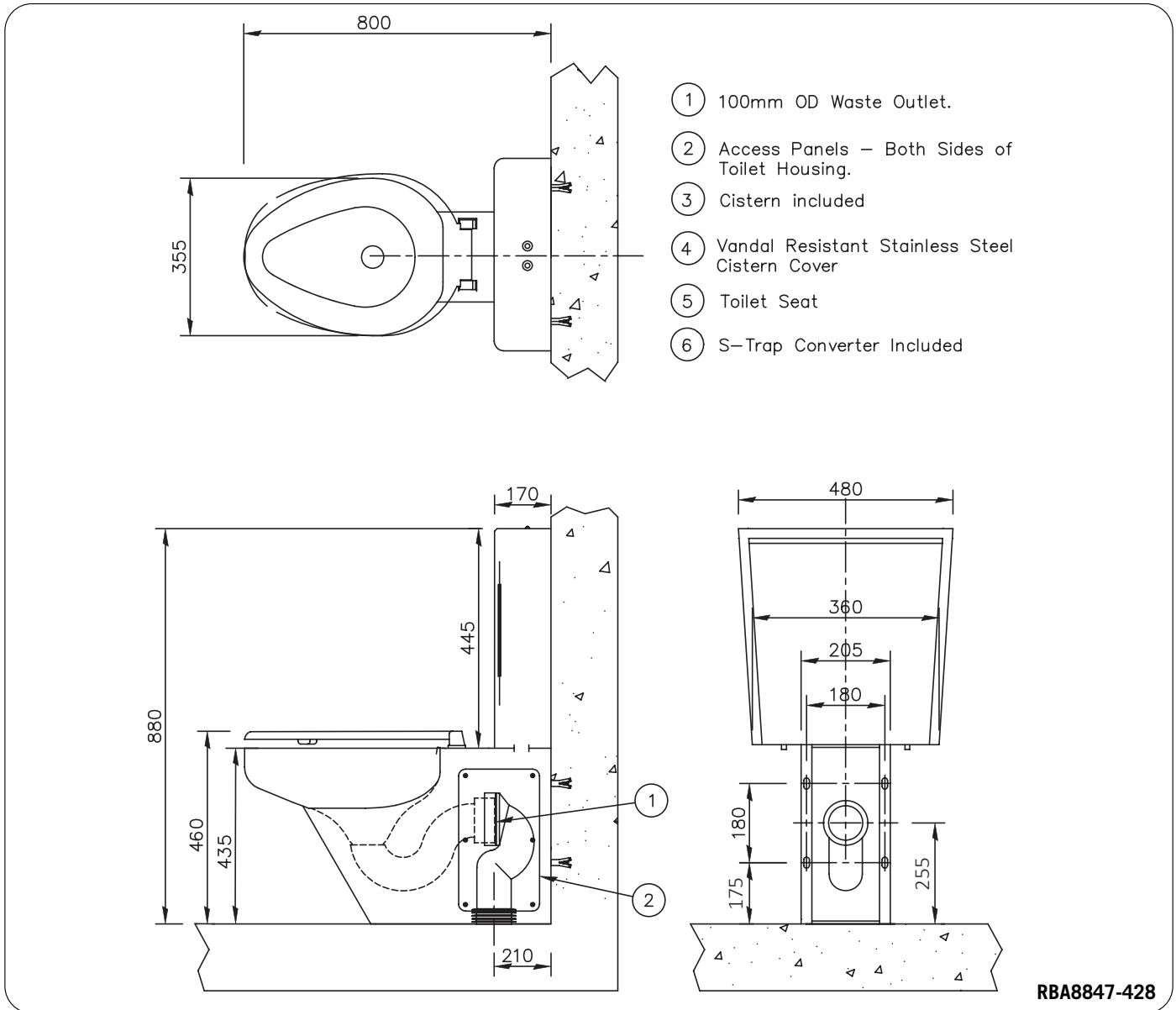
Installation must be undertaken in accordance with the PCA [Plumbing Code of Australia], AS/NZS3500.1 and AS/NZS3500.2. Where multiple WC's may be installed, correct hydraulic water supply sizing must be undertaken to ensure that each flushing device servicing each WC is able to operate correctly under probable simultaneous demand.

Installation

1. Check supplied toilet against rough-ins provided below.
2. Remove access panels and place them in a safe area. When installing multiple toilets, make sure to identify which access panel matches which pan.
3. If not pre-formed, make sufficient penetrations through the wall and/or floor, as determined from the drawing, to allow the 100mm waste pipe, flush pipe as provided by the cistern or flush valve manufacturer.
 - a. If rear fixed, M12 fixing rods [by others] to pass through.
 - b. If front fixed, use suitable wall anchors [by others] in the rear of the toilet.
4. Determine floor mounting location by mocking up.
5. If S-Clip is provided, fix to floor at the front of the cut-out on the bottom of toilet determined by the mock-up.
6. For P-trap installation, fit a 100mm pan collar to the outlet with sufficient 100mm pipe to extend through the wall. [Alternatively the waste and flush pipes may be pre-plumbed and the pan pushed onto the pipework].
7. For S-trap installation, location of floor penetration should be centred 220mm from finished wall.
8. Similarly fit a 55mm kee seal [by others] to the pan inlet with sufficient pipe, as provided by the cistern manufacturer, to extend through the wall.
9. Push the pan into position and secure the pan to the wall & floor [fixings by others].
10. Make the necessary connections to the waste and install the cistern and connect according to the manufacturer's instructions.
11. Check for leaks and correct flush volumes.
12. If toilet seat is required, unscrew plug bolts and fit the seat to pre-drilled holes.
13. Replace the access panels.

Dimensions & Rough-Ins





Note: This product should be installed, by suitably qualified persons, in a fit for purpose application, to suitable materials, using suitable fixings and to comply with any relevant codes. It should be inspected periodically for signs of wear and tear that may affect performance or safety.

Dimensions are subject to manufacturer's tolerance of +/-10mm. Rough-in should be completed with each fixture.

Important: Installation Instructions are subject to change without notice. Please visit **our websites** for latest revision.