

## MODELS

## BRONTE SENSOR TAP

RBA1321-200

Bronte Sensor Tap | Basin Mount | Chrome



As improvements in the design and performance of RBA products are continuous, specifications may be subject to change without notice. The illustrations and descriptions herein are applicable to production as of the date of this Installation Instructions Sheet. Revised 08/24 © 2024 by RBA Group II/Model RBA1321-200/0824

## Description

Constructed from lead-free DZR Brass with a polished chrome finish. The Bronte Sensor tap is basin mounted, making it suitable for public washrooms, offices, schools, shopping centres, stadiums, airports & accessible installations. The infrared sensor detects the presence of the user's hands in the field directly in front of the sensor in the water stream - this activates the flow of water until the hands are removed from the field and water will stop flowing immediately.

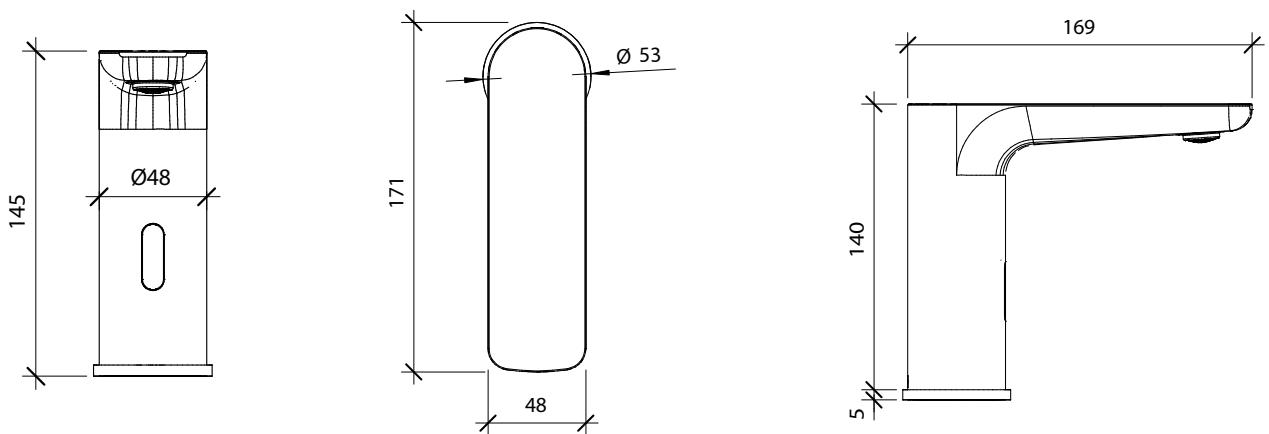
## Technical Data

Inlet:	½" BSP
Operating Pressure:	200-500 kPa
Max Temperature:	45°C
Flow Rate:	6L per minute
Power Supply [AC]:	6V Power Pack

## Components Supplied

- Chrome tap body
- Flex hose
- Power pack

## Dimensions



## Note

1. Avoid exposure to direct sunlight.
2. Avoid harsh cleaning chemicals. Only clean with a soft, clean microfibre cloth with mild soap and water. For more information refer to our Warranty, Cleaning & Care Guide.
3. This product should be installed, by suitably qualified persons, in a fit for purpose application, to suitable materials, using suitable fixings and comply with any relevant codes. It should be inspected periodically for signs of wear and tear that may affect performance or safety.
4. Dimensions are subject to manufacturer's tolerance of +/-10mm. Rough-in should be completed with each fixture.

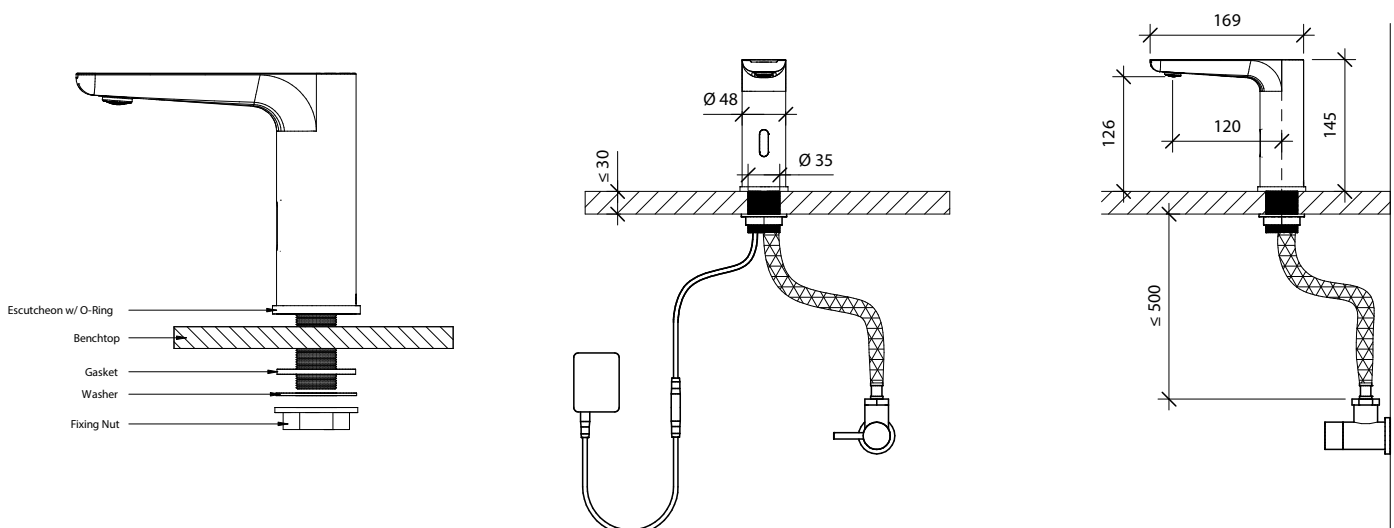
## Installation Notes

- When Thermostatic Mixing Valves or Tempering Valves are installed to supply warm water to the inlet of the Sensor Tap, if the heated water supply to these valves is from a Mains Pressure Water Heater, excess pressure on the heated water supply line can occur during the Water Heater's heating cycle which may be as high as 1400kPa subject to the Pressure and Temperature Relief Valve fitted to the Water Heater. Non return valves are fitted to Thermostatic Mixing Valves and Tempering Valves on both the heated and cold water inlets. As expansion occurs internal of the Water Heater during the heating cycle, the heated water line may pressurise through either valve resulting in a pressure lock occurring at the internal solenoid of the Tap. This may result in the tap ceasing to operate as intended. Should this occur, isolate the heated and cold water supply lines and disconnect the flexible hose connection on the warm water line to the tap to release the excessive pressure. Reinstall the flexible hose connection, check for leaks and actuate the tap to verify operation. Alternatively, the installation of a Pressure Reducing Valve on the warm water line supplying the Bronte may prevent such a pressure lock occurring.
- Please leave this documentation with the owner of the fixture when finished.
- Please read the entirety of this booklet before commencing installation. Check your installation for compliance with relevant local standards.
- Unit is to be installed in accordance with the Plumbing Code of Australia [PCA] and AS/NZS3500. Heated water installations for sanitary fixtures shall comply with the temperature requirements of the PCA and AS/NZS3500.

**Important:** Installation Instructions are subject to change without notice. Please visit our websites for latest revision.

## Installation Instructions - Sensor Tap

1. Check supplied tapware against rough-ins provided above.
2. Drill a 34-38mm dia. hole in the basin to suit tapware, removing all burrs.
3. Remove the fixing nut, metal washer and rubber gasket from the tap body.
4. Run flex hose and sensor cable from the tap through the basin hole.
5. Install tap into the basin hole and secure using fixing nut, metal washer and gasket [see below].
6. Tighten screws on locking nut to secure tap to basin. Ensure each screw is evenly torqued for a tight seal.
7. Turn on water supply and flush the supply line to remove all foreign debris. Turn off water supply.
8. Connect flex-hose from tap to the stop cock [by others].
9. Turn on water supply and check for leaks in supply line hose before connecting the power supply.
10. Connect tap and transformer. Connect transformer to GPO [by others].



## Troubleshooting

<b>Problem</b>	<b>Probable Cause</b>	<b>Solution</b>
Water does not flow when hands are placed under the sensor.	No/Insufficient power.	Ensure the power cord is properly connected and has not been damaged.
	Closed water supply line.	Ensure the stop cock is fully open and working as intended.
Slow flow rate.	Partially open water supply valve.	Fully open the water supply valve.
	Incorrect water pressure.	Check whether water supply line pressure is between 200 - 500kPa. If necessary, install a pressure limiting valve.
	Poorly connected flex hose.	Check whether the hose is kinked. Correct, if necessary.
	Dirty aerator.	Remove and clean aerator.
Water does not stop flowing.	Dirty sensor.	Clean the surface of the sensor with a mild soap.
	Object in front or within sensor range.	Remove object.
Water flows (intermittent failures or incorrect function)	Hands too low/high in basin & not directly in front of sensor when in use.	Users to place hands in flow stream directly in front of sensor to activate.
Water droplets appearing under the basin.	Gasket improperly installed or damaged.	Realign or reinstall new gasket.