

## Model RBA4090-346



### Materials & Features

Stainless steel 90° WC grab rail and 450mm straight rail kit to meet the requirements of AS1428.1 when installed correctly. Snap flange cover conceals fixings after installation.

### Technical Detail

Rail 32mm [Dia], 304 Satin Stainless Steel  
 Fixings Supplied

### Available Model

**RBA4090-346** RH Accessible Grab Rail + 450mm Straight Kit | Satin Finish

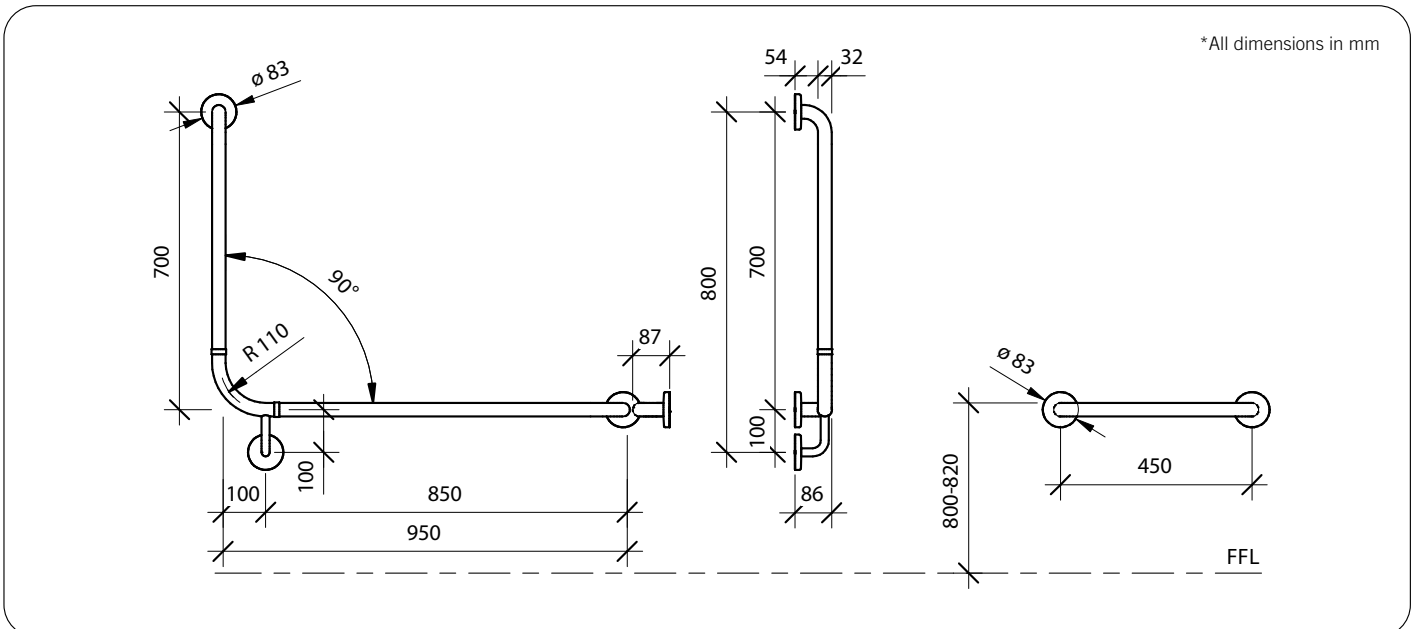
### Related Products

- RBA4000-040** Straight Grab Rail 400mm
- RBA4090-345** LH Accessible Grab Rail + 450mm Straight Kit | Satin Finish
- RBA4150-101** Accessible Compliant Backrest

### Installation

Warning: Grab rails are no stronger than the anchors or walls to which they are attached and must be firmly secured in order to support the loads for which they are intended. Refer to local codes and Installation Instructions for location of fixing points, method of attachment, etc.

**Important:** Installation instructions and current rough-in details should be furnished with each fixture. Do not rough in without certified dimensions. Dimensions are subject to manufacturer's tolerance of +/-10mm.



As improvements in the design and performance of RBA products are continuous, specifications may be subject to change without notice. The illustrations and descriptions herein are applicable to production as of the date of this Technical Data Sheet. Revised 01/247 © 2024 by RBA Group TD/Model RBA4090-346/0124