



## Model RBA2734-001

### Materials & Features

Combo kit includes RBA2731-502 Bottle Filler and RBA2732-032-UG Water Cooler. Manufactured from #304 stainless steel with exposed surfaces in satin finish. Water-efficient, anti-microbial flexi-bubbler with self-closing button. Sensor activated bottle filler includes easy to read digital bottle counter display to highlight water savings. Push-button bottle filler model available upon request.

### Technical Detail

Inlet Connection:	G1/2B
Outlet Connection:	40mm BSP waste
Water Pressure:	200-500kPa
Basin & Housing:	1.6mm, type 304 stainless steel
Refrigerant:	R-134a
Power Requirement:	220VAC, 50hz, single phase.
Capacity:	30L/hr drinking water at 10°C (incoming 27°C, ambient 32°C)

### Available Models

**RBA2734-001**

H<sub>2</sub>O to Go!™ Bottle Filler & Water Cooler Combo | Sensor Op w/ BCD and Flexi Bubbler

### Related Products

**RBA2731-507**

H2O to Go!™ Bottle Filler Sensor and Bottle Counter Display | Standalone

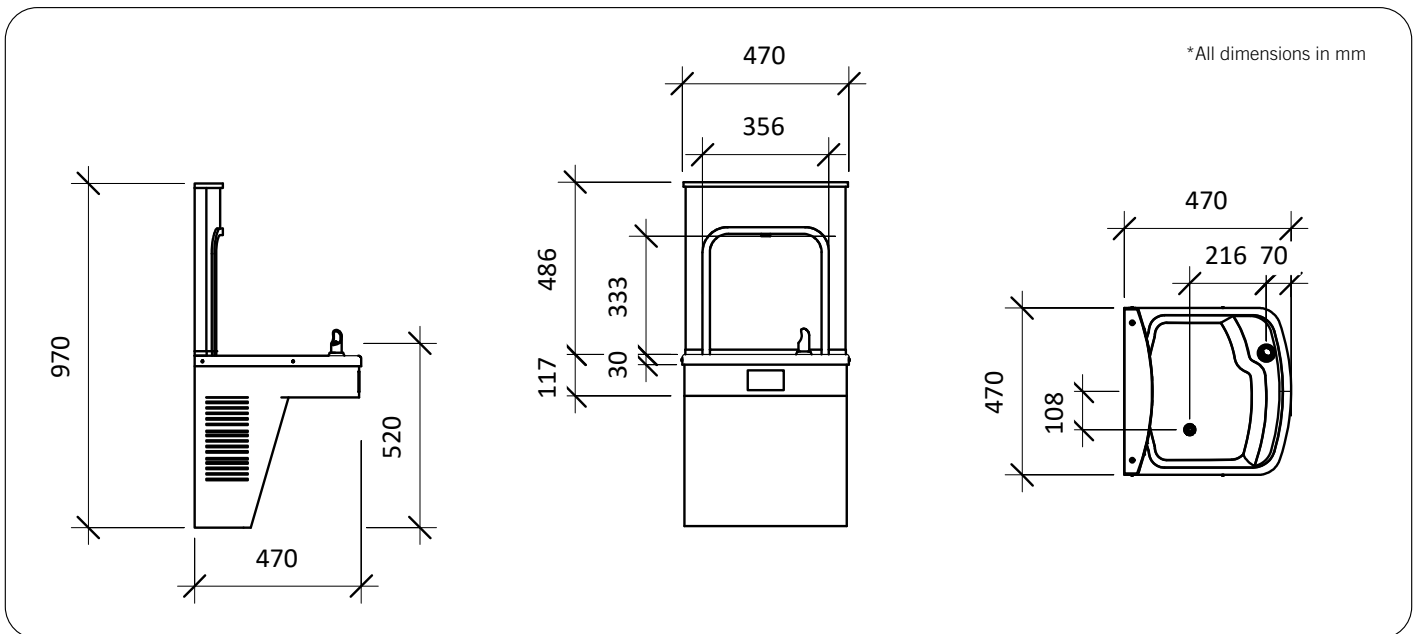
**RBA2732-032-UG**

'Compact' Water Cooler with Flexi Bubbler to suit RBA2731-502 & RBA2731-503

**RBA2733-034-UG**

'Compact' Water Cooler with Flexi Bubbler and Vandal Resistant Button to suit RBA2731-502 & RBA2731-503

**Important:** Installation instructions and current rough-in details should be furnished with each fixture. Do not rough in without certified dimensions. Dimensions are subject to manufacturer's tolerance of +/-10mm.



As improvements in the design and performance of RBA products are continuous, specifications may be subject to change without notice. The illustrations and descriptions herein are applicable to production as of the date of this Technical Data Sheet. Revised 02/23 © 2023 by RBA Group TD/Model RBA2734-001/0223