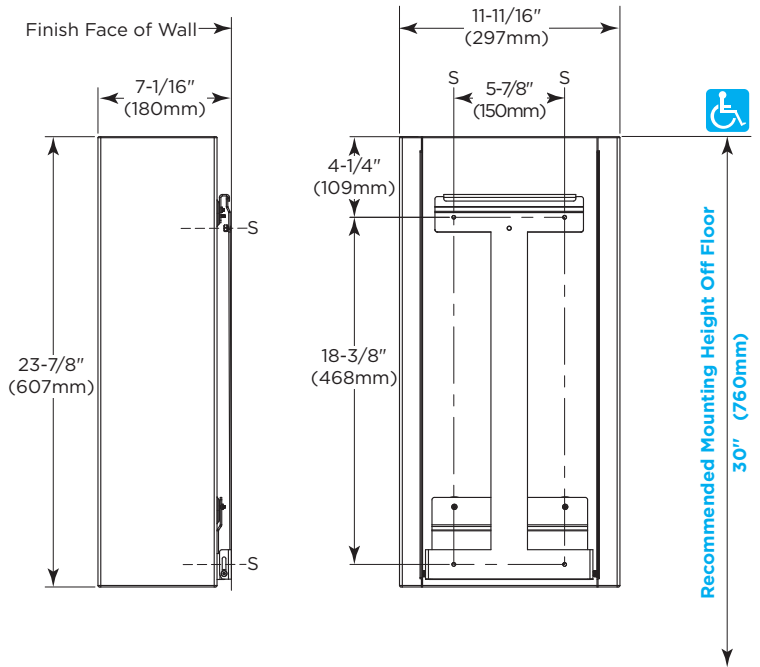


Specify Finish Required

- Stainless Steel, Satin Finish
- Matte Black Finish, please use model no. B-9279.MBLK



MATERIALS:

Receptacle — Type 304 stainless steel, 18 gauge (1.2mm) with satin finish. All-seam-welded construction with hemmed edges at top and bottom. Equipped for hosting a removable waste container, capacity 22.6 L (6-gal.).

Waste Container — Leak-proof rigid molded plastic. Removable for servicing. Capacity: 22.6 L (6-gal.).

Wall Bracket — Type 304 stainless steel, 14 gauge (1.6 mm).

OPERATION:

Waste container can be removed by pulling receptacle up off the bracket and then pivoted away from the wall. Space between bottom of receptacle and floor, when unit is properly mounted on wall, facilitates floor cleaning.

5-Year Limited Warranty — In addition to Bobrick’s one-year guarantee, Bobrick extends a limited 5-year warranty from the date of purchase on all parts for model B-9279. This warranty is limited to the repair or exchange of defective parts at the option of Bobrick and is only extended to the original owner of the installed unit against defects in factory workmanship or material under normal use and service.

continued . . .

INSTALLATION:

Reference installation instructions, steps 1-5, to mount the wall bracket and then affix waste receptacle. Securely fix wall bracket assembly to the wall using four sheet-metal screws according to the recommended installation height above finished floor. For plaster or dry wall construction, provide concealed backing to comply with local building codes, then secure unit with sheet-metal screws. For other wall surfaces, provide fiber plugs or expansion shields for use with sheet-metal screws, or provide 1/8" (3mm) toggle bolts or expansion bolts. Then, install upper bin bracket against the backside of the waste receptacle. Install lower bin bracket against the backside of the waste receptacle. Mount lower bin bracket against wall bracket assembly.

Designer's note: a dedicated rubber band - not furnished - will be fixated around the overlaid plastic bag, also not furnished holding the plastic bag in snug fit around the waste container, providing a clean look by preventing the plastic bag from being wrapped outside, around the waste receptacle. Please use widely available Waste bag-rubber bands ("can bands") of 7" x 1/8" for max. 32 gal.

SPECIFICATION:

Surface-mounted waste receptacle, type 304 stainless steel, 18 gauge (1.2mm) with satin finish. All-seam-welded construction with hemmed edges at top and bottom. Equipped for hosting a removable waste container, capacity 22.6 L (6 gal.). Furnished with a leak-proof rigid molded plastic waste container. Removable for servicing. Capacity: 22.6 L (6 gal.).

Surface-Mounted Waste Receptacle shall be Model B-9279 of Bobrick Washroom Equipment, Inc., Clifton Park, New York; Jackson, Tennessee; Los Angeles, California; Bobrick Washroom Equipment Company, Scarborough, Ontario; Bobrick Washroom Equipment Pty. Ltd., Australia; and Bobrick Washroom Equipment Limited, United Kingdom.