

## Model RBA1301-series



### Materials & Features

Constructed from heavy duty lead-free DZR brass with chrome, PVD Brushed Brass or PVD Gunmetal finish. RBA Coogee-series sensor taps are simple to install with a plug-and-play solenoid valve. Unit mains supply with optional battery backup for continuous operation. IR sensor minimises common touchpoints between users and is self-setting for quick setup. PVD coating is a premium coating process in which a solid material is vaporised and slowly layered onto a fixture. This results in a durable, versatile finish that's more environmentally friendly than traditional coating methods. Find out more at [rba.com.au/pvd](http://rba.com.au/pvd)

### Technical Detail

Inlet:	½" BSP
Flow Rate:	6 Star, 6LPM
Operating Pressure:	200-500 kPa
Max. Temp.:	45°C
Sensor Range:	5-30cm (self-setting)
Power Supply [AC]:	230V AC 50-60Hz
Power Supply [DC]:	4 x 1.5V AA alkaline batteries

### Installation

RBA1301-series tapware requires a bench cut out of  $\varnothing 25$ -28mm with a maximum bench thickness of 30mm.

### Available Models

<b>RBA1301-200</b>	Coogee Sensor Tap   Basin Mount   Chrome (shown)
<b>RBA1301-500</b>	Coogee Sensor Tap   Basin Mount   PVD Brushed Brass
<b>RBA1301-600</b>	Coogee Sensor Tap   Basin Mount   PVD Gunmetal

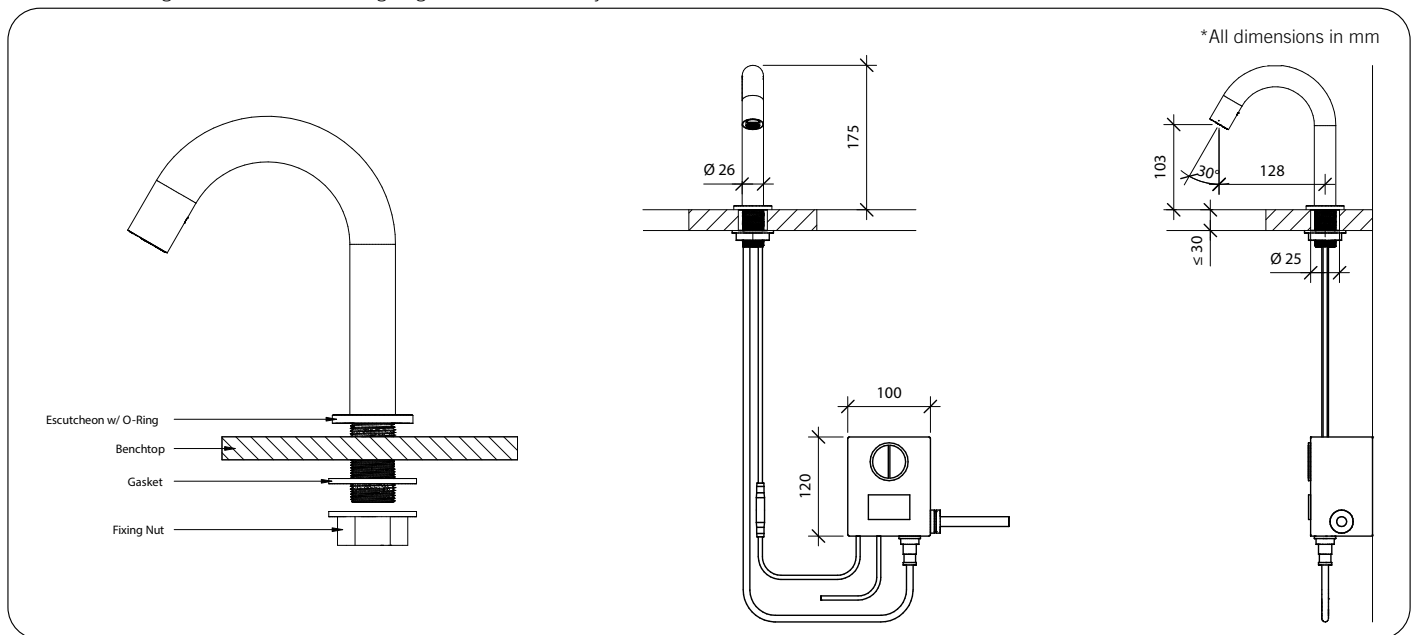
### Related Models

<b>RBA1311-200</b>	Coogee Sensor Tap   Wall Mount   Chrome
<b>RBA1321-200</b>	Bronte Sensor Tap   Chrome
<b>RBA1211-600</b>	Formatta Sensor Tap   Basin Mount   Chrome

**For best results**, unit should be inspected and cleaned regularly as per the instructions in the RBA Product Warranty, Cleaning Care Guide, available on our websites.

**Note:** For Australia, Installation shall be in accordance with the PCA [Plumbing Code of Australia] and any relevant local authority requirements.

**Important:** Installation instructions and current rough-in details should be furnished with each fixture. Do not rough in without certified dimensions. Dimensions are subject to manufacturer's tolerance of +/-10mm. Due to the semi-reflective nature of PVD, colours may appear differently depending on surface shape and lighting conditions. RBA recommends viewing fixtures under the same lighting conditions where they are to be installed.



As improvements in the design and performance of RBA products are continuous, specifications may be subject to change without notice. The illustrations and descriptions herein are applicable to production as of the date of this Technical Data Sheet. Revised 01/25 © 2025 by RBA Group TD/Model TD/Model RBA1301-Series/0125