

Model RBA4110-938



Materials & Features

Stainless steel shower T-rail to meet the requirements of AS1428.1 when installed correctly. Snap flange covers conceal fixings after installation. Rails are ambidextrous, allowing the vertical rail to be positioned left, right or centre to suit site requirements.

Technical Detail

Rail:	32mm [Dia], 304 Satin Stainless Steel
Hose:	1.5m
Inlet Connection:	DN 15mm [1/2"] BSP Includes backflow prevention
Water Pressure:	150-500 kPa
Water Temperature:	50°C Maximum
Flow Rate:	6.0 LPM
WELS:	5 Star
WELS Reg. Number:	S14913

Available Model

RBA4110-938 Shower T-Rail Kit | Satin

Related Products

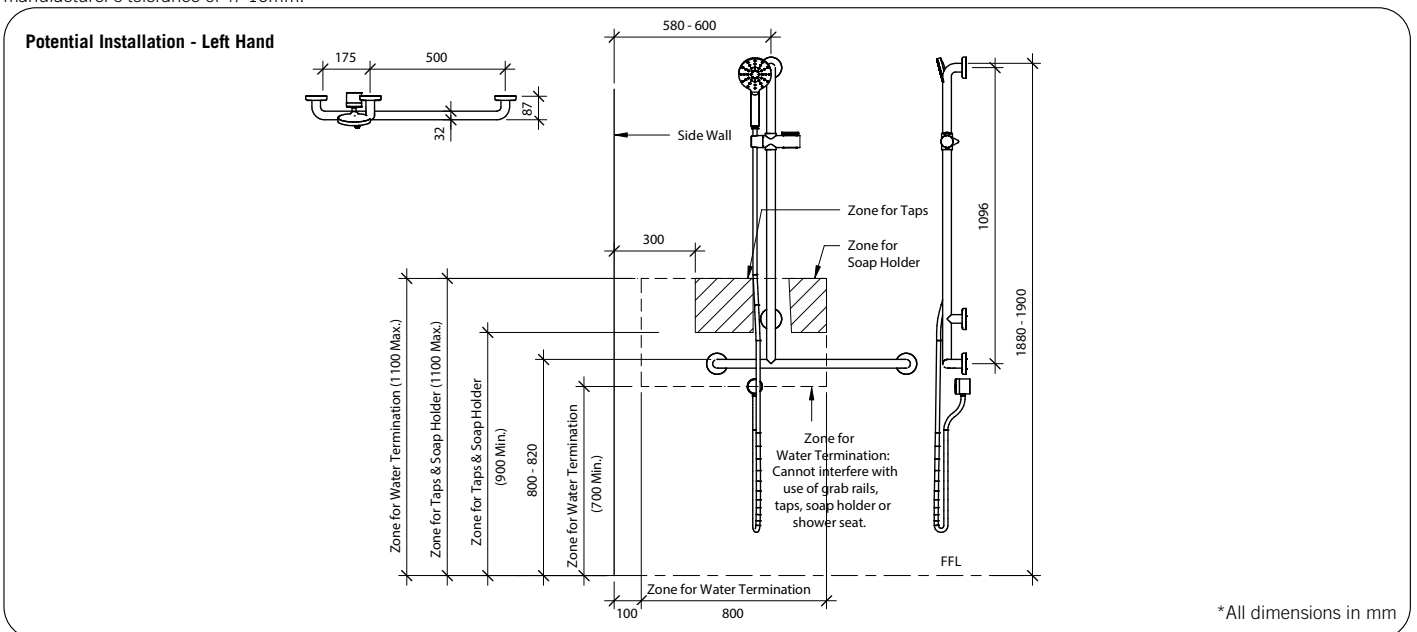
- B819687** Bobrick Accessible Compliant Folding Shower Seat
- RBA4171-101** Shower Curtain Rail + 2 Curtains & Hooks
- RBA4110-924** Shower T-Rail | Satin

Installation

Warning: Grab rails are no stronger than the anchors or walls to which they are attached and must be firmly secured in order to support the loads for which they are intended. Refer to local codes and Installation Instructions for location of fixing points, method of attachment, etc.

For best results, unit should be inspected and cleaned regularly as per the instructions in the RBA Product Warranty, Cleaning Care Guide, available on our websites.

Important: Installation instructions and current rough-in details should be furnished with each fixture. Do not rough in without certified dimensions. Dimensions are subject to manufacturer's tolerance of +/-10mm.



As improvements in the design and performance of RBA products are continuous, specifications may be subject to change without notice. The illustrations and descriptions herein are applicable to production as of the date of this Technical Data Sheet. Revised 03/24 © 2024 by RBA Group TD/Model RBA4110-938/0324