

Model RBA4110-924



Materials & Features

Stainless steel shower T-rail to meet the requirements of AS1428.1 when installed correctly. Snap flange covers conceal fixings after installation. Rails are ambidextrous, allowing the vertical rail to be positioned left, right or centre to suit site requirements.

Technical Detail

Rail: 32mm [Dia], 304 Satin Stainless Steel
 Fixings: Supplied

Available Model

RBA4110-924 Shower T-Rail | Satin

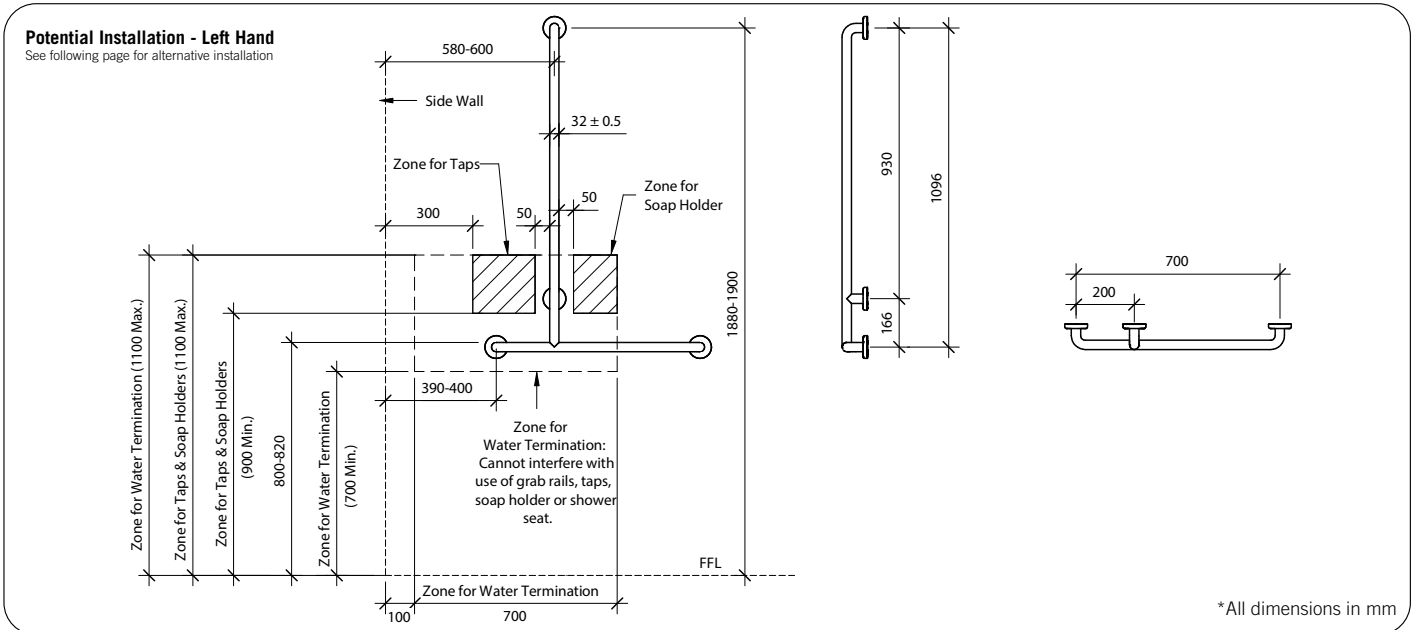
Related Products

B819687 Bobrick Accessible Compliant Folding Shower Seat
RBA4171-101 Shower Curtain Rail + 2 Curtains & Hooks
RBA4110-944 5 Star Handset, Hose, Slider & Mixer Kit

Installation

Warning: Grab rails are no stronger than the anchors or walls to which they are attached and must be firmly secured in order to support the loads for which they are intended. Refer to local codes and Installation Instructions for location of fixing points, method of attachment, etc.

Important: Installation instructions and current rough-in details should be furnished with each fixture. Do not rough in without certified dimensions. Dimensions are subject to manufacturer's tolerance of +/-10mm.



Model RBA4110-924

