

Models RBA8910-001 RBA8910-002



Materials & Features

Manufactured from stainless steel including a stainless shielded bubbler with self-closing push button and non-squirt features. Valve includes flow adjuster and strainer. Integral perforated drain for hygiene & ease of cleaning. Smooth radiused design eliminates sharp corners. Fully concealed pipework and fixings. Unit is non-refrigerated.

Technical Detail

Inlet Connection:	1/2" BSP
Outlet Connection:	40mm BSP waste
Water Pressure:	200 – 500 kPa
Force to Activate:	≤ 22N
Basin:	1.2mm, type 304 Stainless Steel
Housing:	2.5mm, type 304 Stainless Steel
Finish:	Satin Finish (-001) Enviro-Glaze® Green (-002)

Available Models

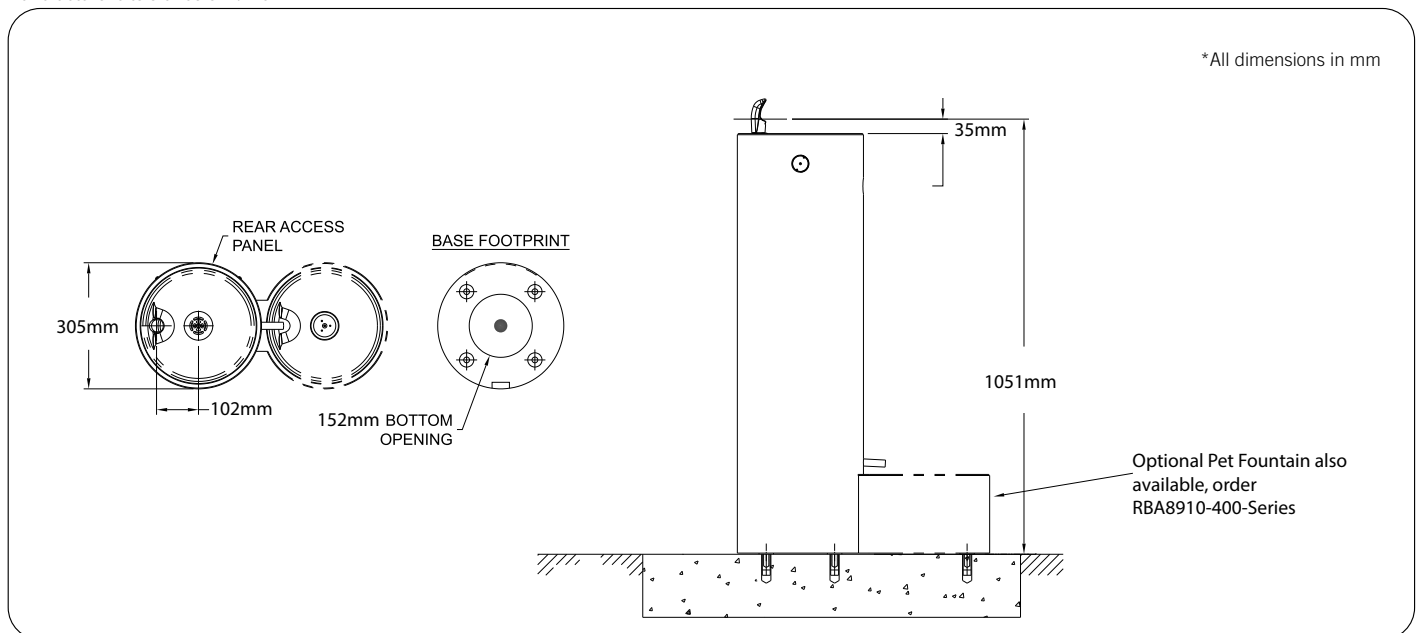
RBA8910-001	Outdoor Drinking Fountain
RBA8910-002	Outdoor Drinking Fountain, Enviro-Glaze® Green

Related Products

RBA8910-401	Outdoor Pet Fountain (can be used in conjunction with RBA8910-001 as a complete solution)
RBA8910-402	Outdoor Pet Fountain (can be used in conjunction with RBA8910-002 as a complete solution)
RBA8910-202	Hi-Lo™ Outdoor Drinking Fountain, Enviro-Glaze® Green
RBA8909-429	Outdoor Drinking Fountain, Accessible

* RBA recommends the use of a 350kPa pressure limiting valve with all RBA drinking fountains and bottle fillers.

Important: Installation instructions and current rough-in details should be furnished with each fixture. Do not rough in without certified dimensions. Dimensions are subject to manufacturer's tolerance of +/-10mm.



As improvements in the design and performance of RBA products are continuous, specifications may be subject to change without notice. The illustrations and descriptions herein are applicable to production as of the date of this Technical Data Sheet. Revised 04/24 © 2024 by RBA Group TD/Model RBA8910-001-RBA8910-002/0424