

## MODELS

## 4.5/3L BARIATRIC TOILETS

<b>RBA5600-001-202W</b>	4.5/3L Bariatric Toilet with Big John Bariatric Toilet Seat   P-Trap   Poly White Ext., Satin Int.
<b>RBA5600-001-203W</b>	4.5/3L Bariatric Toilet with Big John Bariatric Toilet Seat   S-Trap   Poly White Ext., Satin Int.
<b>RBA5600-001-200W</b>	4.5/3L Bariatric Toilet   P-Trap   Poly White Ext., Satin Int.
<b>RBA5600-001-201W</b>	4.5/3L Bariatric Toilet   S-Trap   Poly White Ext., Satin Int.
<b>RBA5600-001-202</b>	4.5/3L Bariatric Toilet with Big John Bariatric Toilet Seat   P-Trap   Satin Finish
<b>RBA5600-001-203</b>	4.5/3L Bariatric Toilet with Big John Bariatric Toilet Seat   S-Trap   Satin Finish
<b>RBA5600-001-200</b>	4.5/3L Bariatric Toilet   P-Trap   Satin Finish
<b>RBA5600-001-201</b>	4.5/3L Bariatric Toilet   S-Trap   Satin Finish



\*RBA5600-001-202 Shown



## Components Supplied:

- P-Trap stainless steel pan
- S-Trap converter [incl with RBA5600-001-201, -203, -201W and -203W]
- Big John Bariatric Toilet Seat [incl. with RBA5600-001-202, -203, -202W and -203W]

## Components Supplied by others:

- 40mm PVC Flush Pipe
- 60mm OD Keeseal
- M12 fixing rods with nuts & washers
- M10 SS Ground Anchors

## Pre-Installation

Installation must be undertaken in accordance with the PCA [Plumbing Code of Australia], AS/NZS3500.1 and AS/NZS3500.2. Where multiple WC's may be installed, correct hydraulic water supply sizing must be undertaken to ensure that each flushing device servicing each WC is able to operate correctly under probable simultaneous demand. A minimum water supply pressure of 300kPa is required for flushing device installation along with a minimum 25mm Cu or equivalent water supply line size for single flushing device installation only.

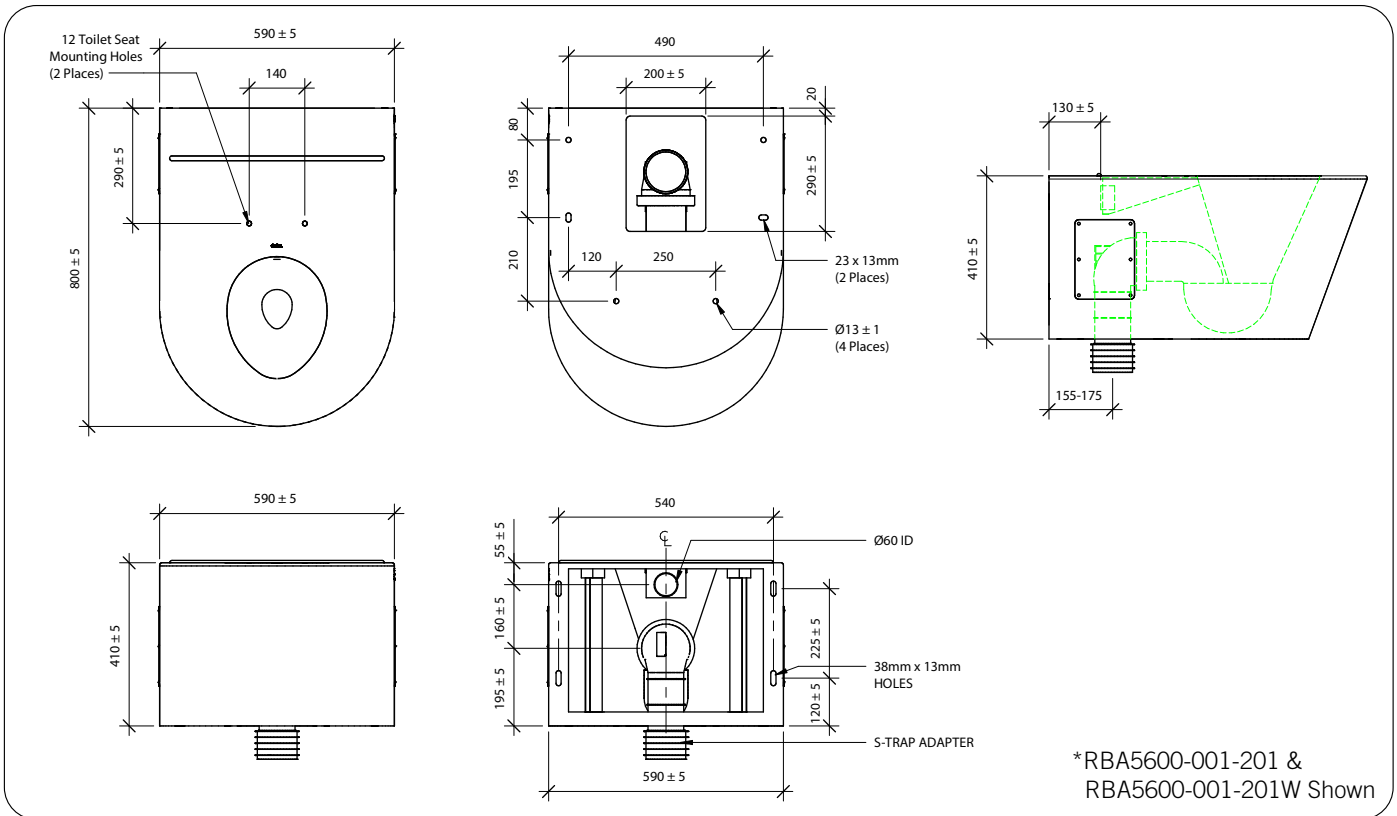
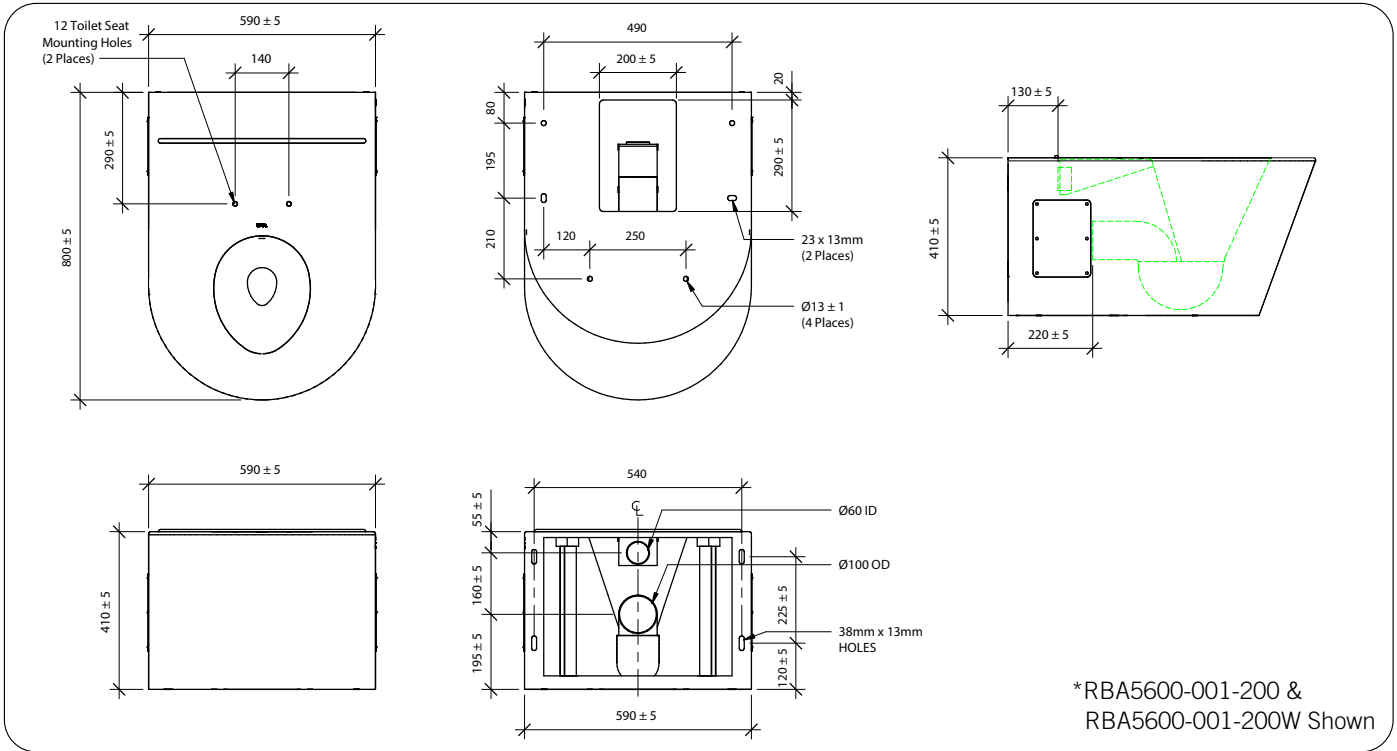
Pan is wall faced and should preferably be fixed to a masonry wall with suitable wall anchors [provided by others].

Flushing device should be RBA Nautilus Flush Valve [RBA1882-100] or equivalent flush valve or in-wall cistern.

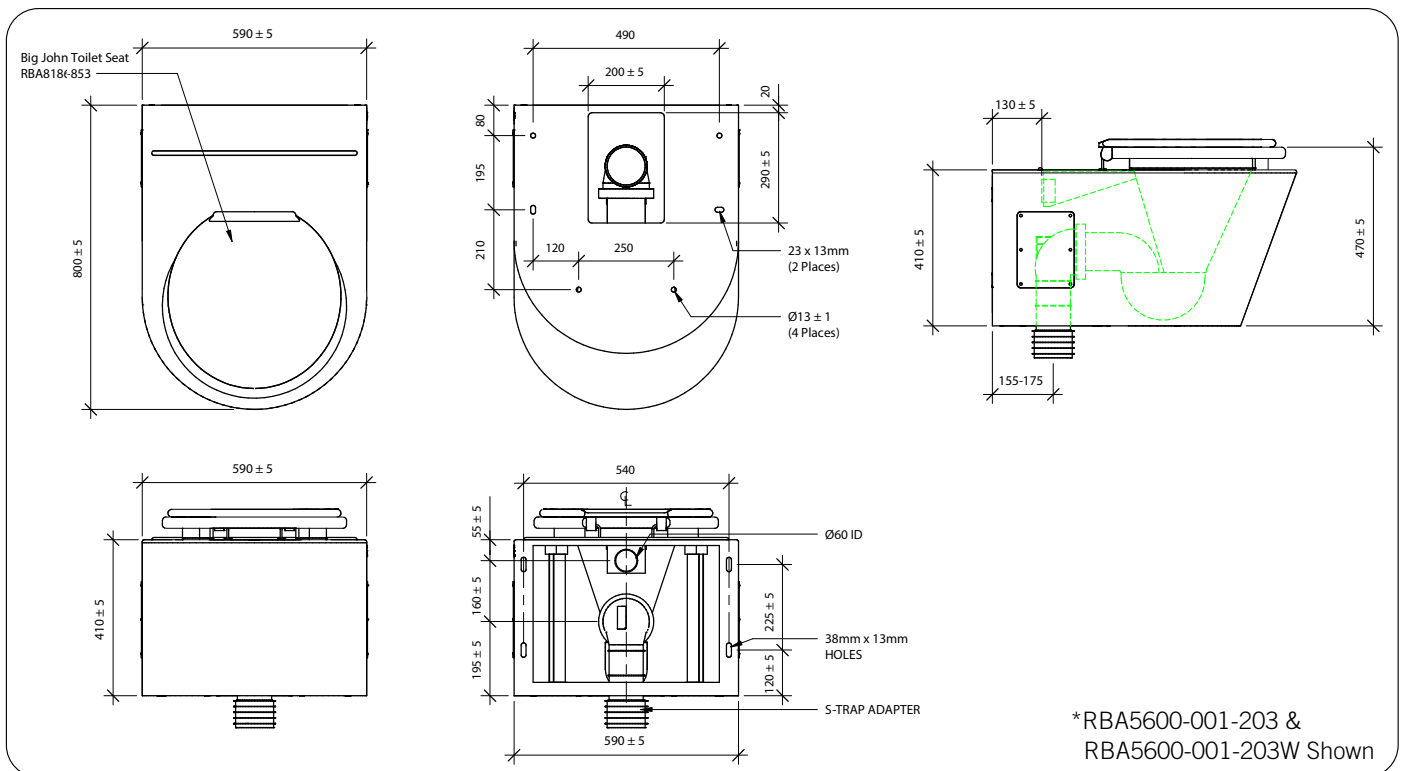
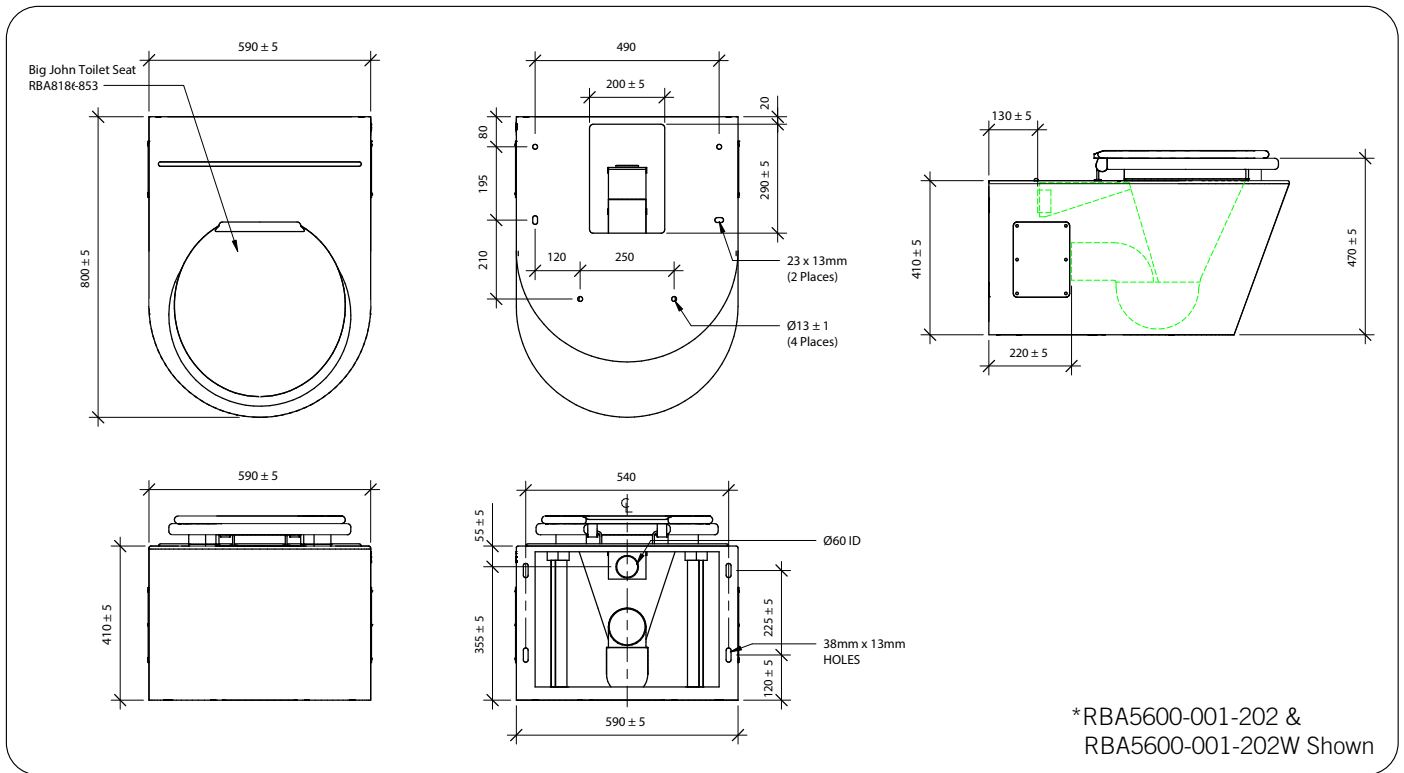
## Installation

1. Check supplied toilet against rough-ins provided in the Installation Instructions
2. Remove access panels and place them in a safe area. When installing multiple toilets, make sure to identify which access panel matches which pan.
3. If not pre-formed, make sufficient penetrations through the wall and/or floor as determined from the drawing, to allow the 100mm waste pipe and flush pipe [provided by cistern or flush valve manufacturer] to pass through.
  - a. If rear fixed, 4 threaded nuts are located in the rear of the toilet, to allow for suitable M12 rods [supplied by others] to pass through.
  - b. If front fixed, mounting holes are located in the base of the toilet, to allow for suitable ground anchors [supplied] to pass through.
4. Fit a 100mm pan collar to the outlet with sufficient 100mm pipe to extend through the wall.
  - a. Alternately the waste and flush pipes may be pre-plumbed, and the pan pushed onto the pipework.
  - b. If toilet is installed for an S-Trap configuration, install S-Trap adapter into wastepipe.
5. Fit a 60mm keeseal to the pan inlet with sufficient pipe to extend through the wall, as provided by the cistern or flush valve manufacturer.
6. Make the necessary connections to the waste and install and connect the flushing device according to the manufacturer's instructions.
7. Check for leaks and correct flush volumes, 4.5 litres full flush and 3 litres half flush.
8. Unscrew plug bolts and fit the seat to pre-drilled holes and replace the access panels.

## Dimensions & Rough In



## Dimensions & Rough In



**Note:** This product should be installed, by suitably qualified persons, in a fit for purpose application, to suitable materials, using suitable fixings and comply with any relevant codes. It should be inspected periodically for signs of wear and tear that may affect performance or safety.

Dimensions are subject to manufacturer's tolerance of +/-10mm. Rough-in should be completed with each fixture.

**Important:** Installation Instructions are subject to change without notice. Please visit **our websites** for latest revision.