

## MODELS

## BACKREST GRAB RAIL SERIES

**RBA4150-101**

Straight Arm Backrest to suit AS1428.1 | Satin

**RBA4150-102**

Straight Arm Backrest to suit AS1428.1 | Matte Black

**RBA4805-601**

Straight Arm Backrest to suit AS1428.1 | PVD Brushed Brass

**RBA4806-601**

Straight Arm Backrest to suit AS1428.1 | PVD Gunmetal



\*RBA4150-101 Shown



## Note

Ensure wall construction is able to support the unit and loads it is subject to. Grab Rails & Backrests are no stronger than the anchors & walls to which they are attached.

## Installation Instructions

1. Secure Concealed Mounting Brackets as per Fig. [a].
2. Based on location of toilet seat hinging point, determine desired length of 30mm Dia Stainless Steel Bar to achieve 95°-100° angle on seat when raised, as per Fig. [b].
3. Cut Stainless Steel Bar to suit.
4. Fix Bracket Cover to Stainless Steel Bar, and tighten securely with tension bolt provided. Note: Bolt needs to be tensioned to a torque setting of 80Nm.
5. Set Bracket Cover over Concealed Mounting Bracket and secure with Locking Bolt.
6. Set toilet seat to upright position to confirm accurate angle.

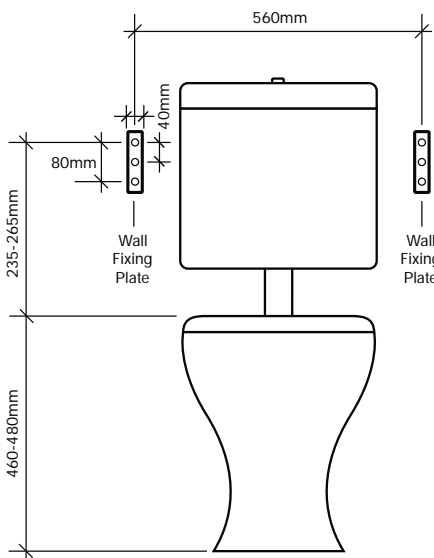


Fig.[a]

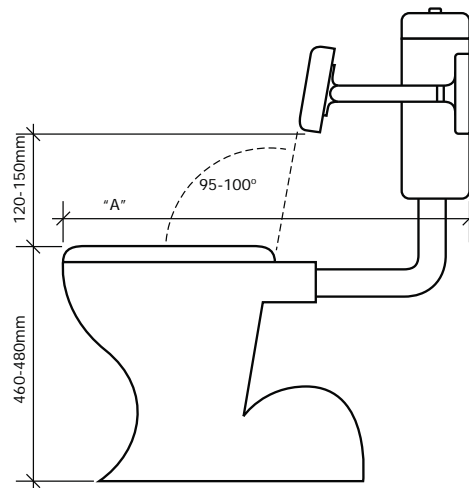
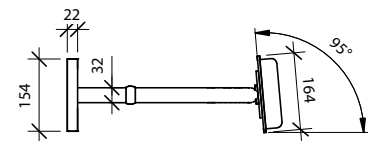
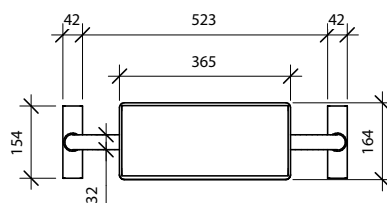
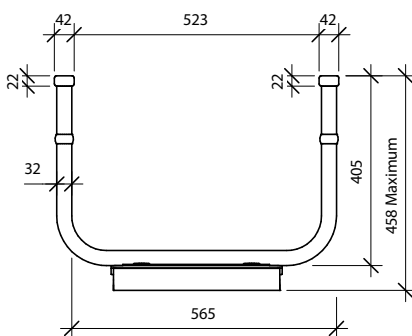


Fig.[b]



**Note:** This product should be installed, by suitably qualified persons, in a fit for purpose application, to suitable materials, using suitable fixings and comply with any relevant codes. It should be inspected periodically for signs of wear and tear that may affect performance or safety.

Dimensions are subject to manufacturer's tolerance of +/-10mm. Rough-in should be completed with each fixture.

**Important:** Installation Instructions are subject to change without notice.

Please visit **our websites** or latest revision.