

Model RBA8519-201



Materials & Features

Optimum ligature and vandal resistance without compromising on efficiency and performance. The Coolum Commercial Shower Kit includes 1x heavy-duty conical showerhead and 2x heavy-duty handles in bright polished chrome plated brass. This kit is suitable for all commercial and institutional projects including in correctional, healthcare and education facilities.

Technical Detail

Body:	Chrome plated, low lead DZR brass
Inlet Connection:	15mm BSP (1/2") female
Temperature:	10 - 70°C
Handle Rotation:	Quarter turn
Flow Rate:	5.9L per minute
WELS Rating:	5 Star
SBA Thread:	G 5/8" BSP
Wall Depth:	12 - 22mm
Operating Pressure:	150 - 500kPa in accordance with AS/NZS3500 and the PCA

Available Models

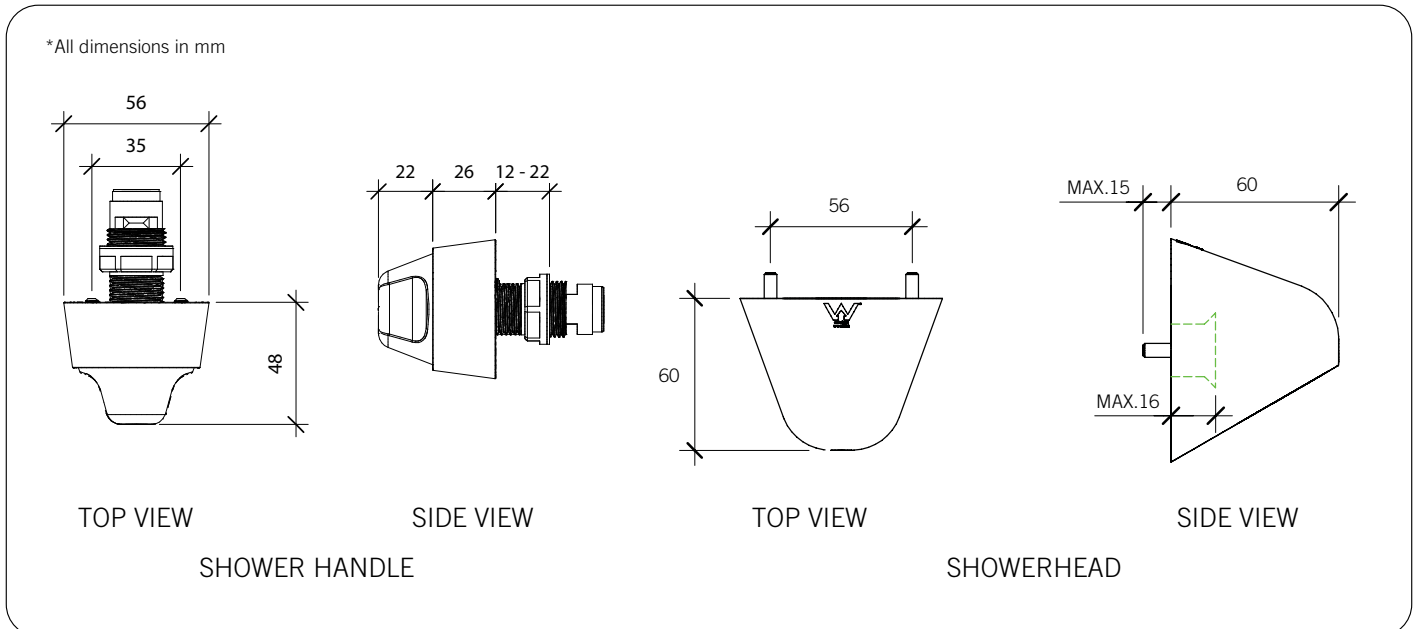
- RBA8519-200**
- RBA8519-115**
- RBA8519-114**

Coolum Commercial Shower Kit [including 1x RBA8519-114, 2x RBA8519-115]
 Coolum Commercial Shower Handle, with 3 coloured temperature indicators
 5 Star [5.9L/m] Coolum Commercial Showerhead

Installation

To be installed in accordance with the Plumbing Code of Australia [PCA] and AS/NZS3500. Recess bodies are to be Watermark certified to AS3688. Heated water installations for sanitary fixtures shall comply with the temperature requirements of the PCA and AS/NZS3500.

For best results, unit should be inspected and cleaned regularly as per the instructions in the RBA Product Warranty, Cleaning Care Guide, available on our websites.
Important: Installation instructions and current rough-in details should be furnished with each fixture. Do not rough in without certified dimensions. Dimensions are subject to manufacturer's tolerance of +/-10mm.

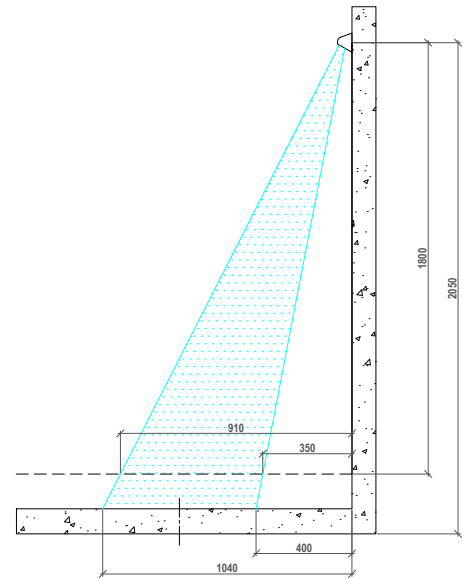
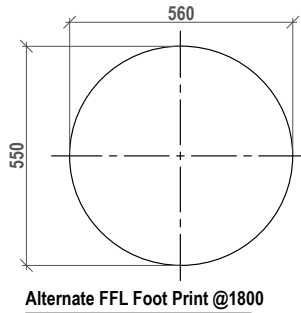
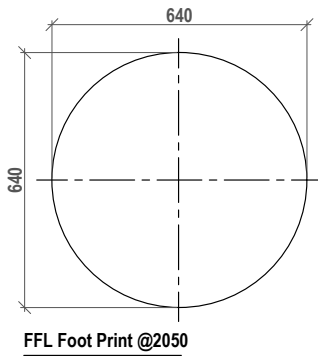


As improvements in the design and performance of RBA products are continuous, specifications may be subject to change without notice. The illustrations and descriptions herein are applicable to production as of the date of this Technical Data Sheet. Revised 02/24 © 2024 by RBA Group TD/Model RBA8519-201/0224

Model RBA8519-201

*All dimensions in mm

Static Pressure: 500kPa
Flow Rate: 5.9L/m



Note: Isolated spray will occur outside of the footprint. Pressure, temperature & other site conditions may slightly vary outcomes.

Please note: While RBA takes all reasonable measures to ensure our ligature resistant products consistently perform as advertised, we do not perform load testing on every item. RBA strongly recommends all customers perform their own load testing on each item prior to installation and at regular intervals throughout the life of the product.

RBA does not offer or warrant any of our products as 'anti-ligature' as no product can be truly ligature-free. RBA will not be liable for any claims, losses or damage arising from ligature attachment to our products. It is the responsibility of the purchaser and installer to ensure supplied products are suitable for the environments they are to be installed into.