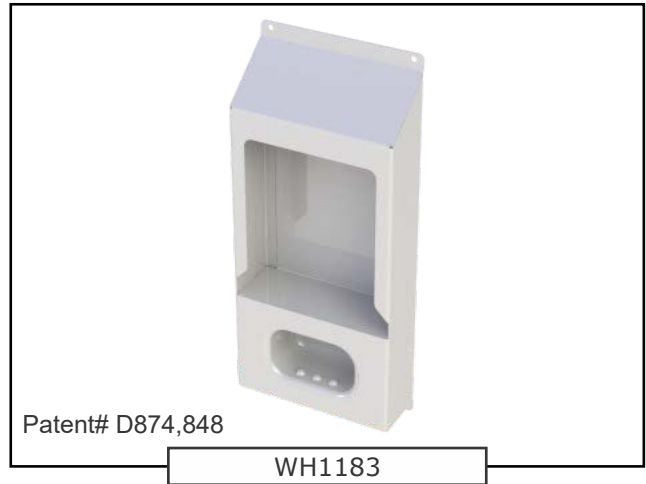




Shower Caddy

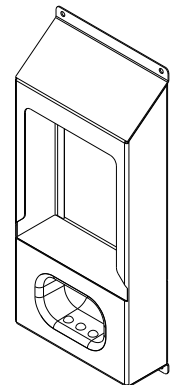
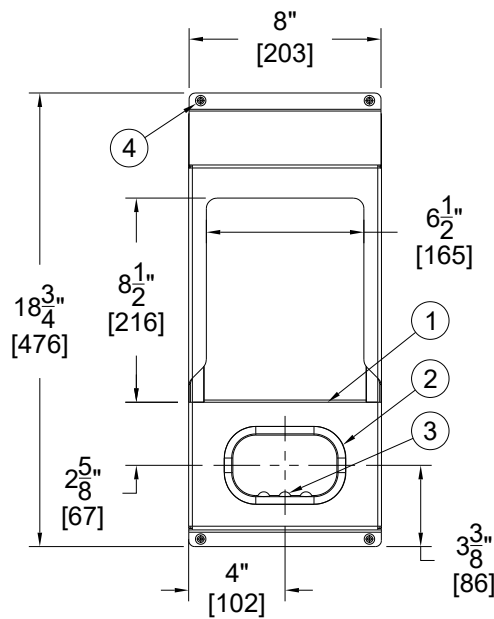
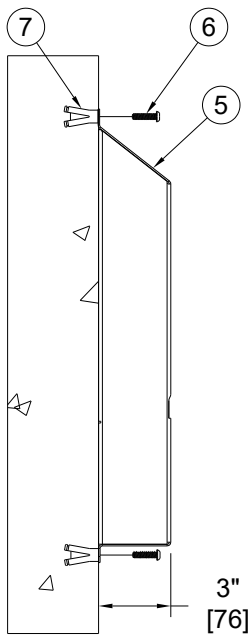
The Whitehall Ligature Resistant Shower Caddy is designed to be used in Shower or Tub areas. The Shower Caddy is installed on finished wall from the front side. The Sloping Top makes this item ideal for ligature resistant applications. The open Shelf design is easily inspected preventing the concealment of contraband. The die formed Soap Dish has raised dimples to provide air circulation around the soap bar, keeping it dry. This Shower Caddy is fabricated from 16 gage, type 304 stainless steel with all exposed surfaces powder coated white. -SS stainless steel finish is also available. Furnished with 1/4"-20 UNC Tamper Resistant Screws for used with Wall Anchors provided by others.



MODEL NUMBER AND OPTIONS SELECTION:

BASE MODEL NUMBER

- o WH1183 Shower Caddy (White)
- o WH1183-SS Shower Caddy (Stainless Steel)



- 1- Storage Shelf
- 2- Soap Dish
- 3- Raised Dimples
- 4- 9/32" Mounting Holes
- 5- Sloped Top
- 6- 1/4-20 UNC Vandal Resistant Button Head Screws
- 7- Wall Anchors, by others

DISCLAIMER:

This product is designed to decrease the probability that it may be utilized as an apparatus for ligature. It is not a replacement for professionals who are trained in the proper evaluation, management and supervision of persons at risk of suicide.

WARNING: Cancer and Reproductive Harm - www.P65Warnings.ca.gov

SELECTION SUMMARY & APPROVAL FOR MANUFACTURING

Model Number & Options _____ Quantity _____
 Company _____ Date _____
 Contact _____ Title _____
 Approval for Manufacturing/Signature _____



All dimensions are nominal and subject to manufacturer's change without notice. Whitehall assumes no responsibility for use of void or superseded data © Whitehall Manufacturing, Member of Morris Group International. Please visit www.whitehallmfg.com for most current specifications.



Whitehall Manufacturing®
 Manufacturer of Healthcare and Rehabilitation Products since 1946

BestCare®
 Patients, Not Prisoners®

**Healthcare and Ligature
 Resistant Products**

Division of
 Acorn Engineering Company®



A MEMBER OF



Please note: While RBA takes all reasonable measures to ensure our ligature resistant products consistently perform as advertised, we do not perform load testing on every item. RBA strongly recommends all customers perform their own load testing on each item prior to installation and at regular intervals throughout the life of the product.

RBA does not offer or warrant any of our products as 'anti-ligature' as no product can be truly ligature-free. RBA will not be liable for any claims, losses or damage arising from ligature attachment to our products. It is the responsibility of the purchaser and installer to ensure supplied products are suitable for the environments they are to be installed into.



DISCLAIMER:

This product is designed to decrease the probability that it may be utilized as an apparatus for ligature. It is not a replacement for professionals who are trained in the proper evaluation, management and supervision of persons at risk of suicide.

⚠ WARNING: Cancer and Reproductive Harm - www.P65Warnings.ca.gov

SELECTION SUMMARY & APPROVAL FOR MANUFACTURING

Model Number & Options _____ Quantity _____
 Company _____ Date _____
 Contact _____ Title _____
 Approval for Manufacturing/Signature _____

All dimensions are nominal and subject to manufacturer's change without notice. Whitehall assumes no responsibility for use of void or superseded data © Whitehall Manufacturing, Member of Morris Group International. Please visit www.whitehallmfg.com for most current specifications.

Whitehall Mfg. • P.O. Box 3527 • City of Industry, CA 91744 • (800) 782-7706 • (626) 968-6681

WH1183

Revised: 09/08/2023