



Whitehall Manufacturing®

Manufacturer of Healthcare and Rehabilitation Products since 1946

BestCare®

Patients, Not Prisoners®

Healthcare and Ligature Resistant Products

Division of
Acorn Engineering Company®



A MEMBER OF



Vanity Shelf

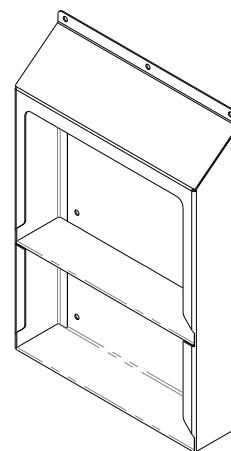
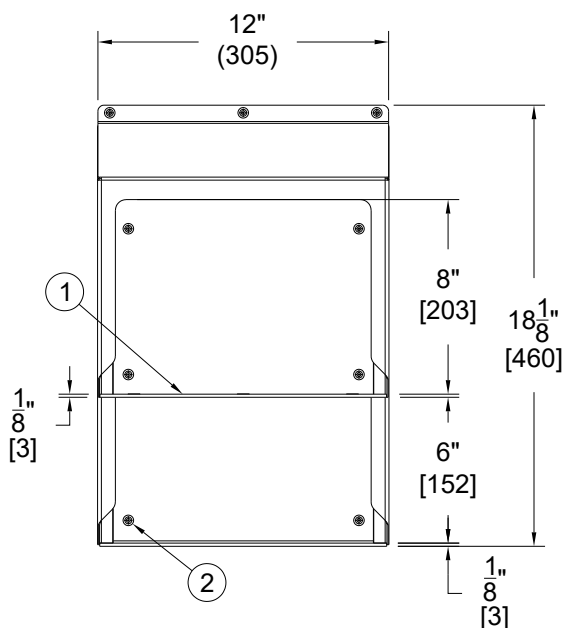
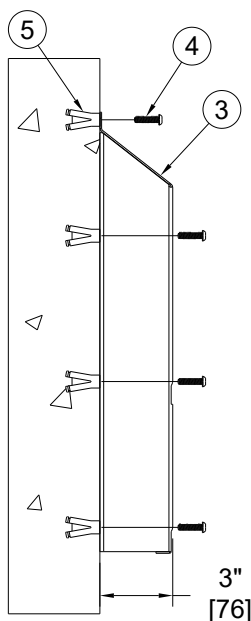
The Whitehall Ligature Resistant Vanity Shelf is designed to be used in place of Medicine Cabinets where concealment of items is not recommended. The Vanity Shelf is installed on finished wall from the front side. The Sloping Top makes this item ideal for ligature resistant applications. The open Shelf design is easily inspected preventing the concealment of contraband. The Two-Shelf design allows storage for short and tall items. This Vanity Shelf is fabricated from 16 gage, type 304 stainless steel with all exposed surfaces powder coated white. -SS stainless steel finish is also available. Furnished with 1/4"-20 UNC Tamper Resistant Screws for used with Wall Anchors provided by others.



MODEL NUMBER AND OPTIONS SELECTION:

BASE MODEL NUMBER

- o WH1182 Vanity Shelf (White)
- o WH1182-SS Vanity Shelf (Stainless Steel)



1. Storage Shelf
2. 9/32" Mounting Holes
3. Sloping Top
4. 1/4"-20 UNC Vandal Resistant Button Head Screws
5. Wall Anchors, by others

DISCLAIMER:

This product is designed to decrease the probability that it may be utilized as an apparatus for ligature. It is not a replacement for professionals who are trained in the proper evaluation, management and supervision of persons at risk of suicide.

WARNING: Cancer and Reproductive Harm - www.P65Warnings.ca.gov



Member of
U.S. Green
Building
Council



Recyclable
Product

All dimensions are nominal and subject to manufacturer's change without notice. Whitehall assumes no responsibility for use of void or superseded data © Whitehall Manufacturing, Member of Morris Group International. Please visit www.whitehallmfg.com for most current specifications.

SELECTION SUMMARY & APPROVAL FOR MANUFACTURING

Model Number & Options _____ Quantity _____

Company _____ Date _____

Contact _____ Title _____

Approval for Manufacturing/Signature _____

Whitehall Mfg. • P.O. Box 3527 • City of Industry, CA 91744 • (800) 782-7706 • (626) 968-6681 • Fax (626) 855-4862

WH1182

Revised: 03/30/2020



Whitehall Manufacturing[®]
 Manufacturer of Healthcare and Rehabilitation Products since 1946

BestCare[®]
 Patients, Not Prisoners[®]

**Healthcare and Ligature
 Resistant Products**

Division of
 Acorn Engineering Company[®]



A MEMBER OF



Please note: While RBA takes all reasonable measures to ensure our ligature resistant products consistently perform as advertised, we do not perform load testing on every item. RBA strongly recommends all customers perform their own load testing on each item prior to installation and at regular intervals throughout the life of the product.

RBA does not offer or warrant any of our products as 'anti-ligature' as no product can be truly ligature-free. RBA will not be liable for any claims, losses or damage arising from ligature attachment to our products. It is the responsibility of the purchaser and installer to ensure supplied products are suitable for the environments they are to be installed into.

DISCLAIMER:

This product is designed to decrease the probability that it may be utilized as an apparatus for ligature. It is not a replacement for professionals who are trained in the proper evaluation, management and supervision of persons at risk of suicide.

⚠ WARNING: Cancer and Reproductive Harm - www.P65Warnings.ca.gov



Member of
 U.S. Green
 Building
 Council



Recyclable
 Product

All dimensions are nominal and subject to manufacturer's change without notice. Whitehall assumes no responsibility for use of void or superseded data © Whitehall Manufacturing, Member of Morris Group International. Please visit www.whitehallmfg.com for most current specifications.

SELECTION SUMMARY & APPROVAL FOR MANUFACTURING

Model Number & Options _____ Quantity _____
 Company _____ Date _____
 Contact _____ Title _____
 Approval for Manufacturing/Signature _____

Whitehall Mfg. • P.O. Box 3527 • City of Industry, CA 91744 • (800) 782-7706 • (626) 968-6681 • Fax (626) 855-4862

WH1182

Revised: 03/30/2020