

Model RBA8117-101



Materials & Features

Constructed from a single sheet of reflective polycarbonate, including countersunk holes. Corners are radiused for ligature and vandal resistance. Meets the requirements for AS1428.1 when installed correctly. Suitable for safety and security applications

Technical Detail

Material: Reflective polycarbonate, 6.0mm
 Fixings: Supplied by others

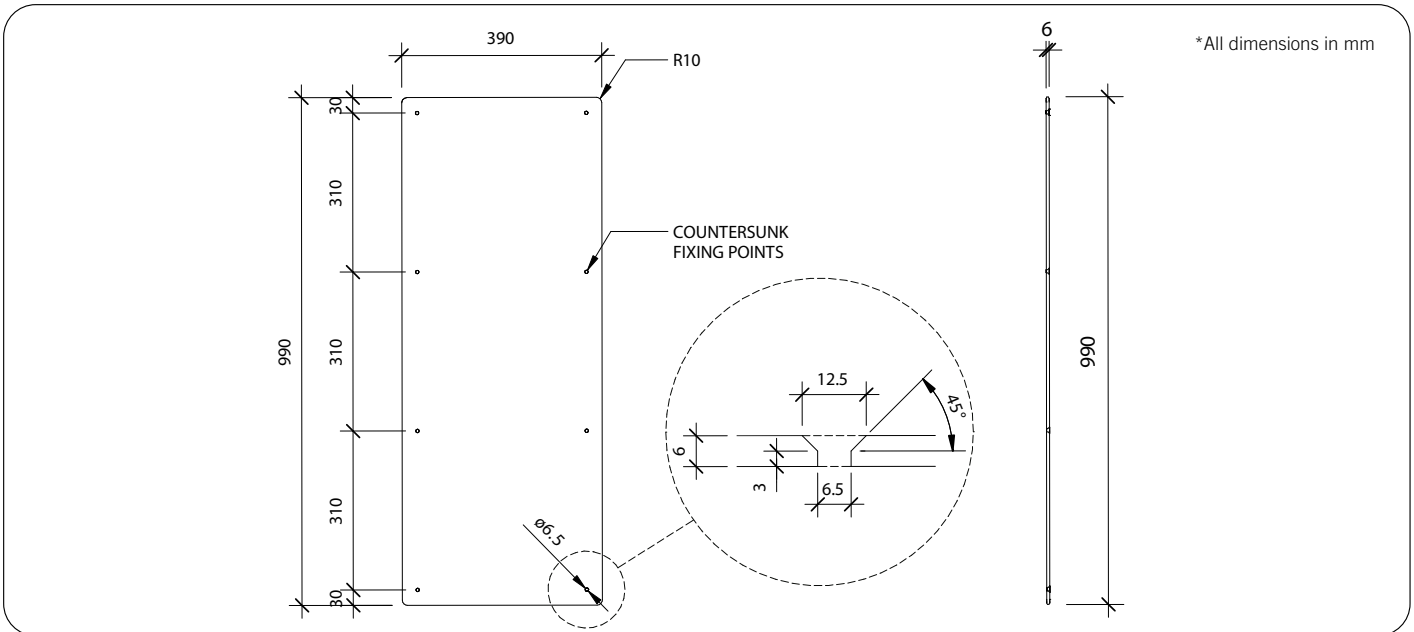
Available Models

RBA8117-101 Polycarbonate Mirror to AS1428.1

Related Products

- RBA8141-118** Ligature Resistant Toilet Roll Holder
- RBA8519-201** Coolum Commercial Ligature Resistant Shower Set
- RBA8130-103** Ligature Resistant Hook | Adjustable

Important: Installation instructions and current rough-in details should be furnished with each fixture. Do not rough in without certified dimensions. Dimensions are subject to manufacturer's tolerance of +/-10mm.



As improvements in the design and performance of RBA products are continuous, specifications may be subject to change without notice. The illustrations and descriptions herein are applicable to production as of the date of this Technical Data Sheet. Revised 02/24 © 2024 by RBA Group TD/Model RBA8117-101/0224



Please note: While RBA takes all reasonable measures to ensure our ligature resistant products consistently perform as advertised, we do not perform load testing on every item. RBA strongly recommends all customers perform their own load testing on each item prior to installation and at regular intervals throughout the life of the product.

RBA does not offer or warrant any of our products as 'anti-ligature' as no product can be truly ligature-free . RBA will not be liable for any claims, losses or damage arising from ligature attachment to our products. It is the responsibility of the purchaser and installer to ensure supplied products are suitable for the environments they are to be installed into.