

Model RBA4805-911



Materials & Features

Modular PVD-coated 90° WC grab rail to meet the requirements of AS1428.1 when installed correctly. PVD coating is a premium coating process in which a solid material is vaporised and slowly layered onto a fixture. This results in a durable, versatile finish that's more environmentally friendly than traditional coating methods. Find out more at rba.com.au/pvd.

Technical Detail

Rail: 32mm [Dia], 304 Stainless Steel
 Finish: PVD Brushed Brass
 Fixings: Supplied by others

Available Model

RBA4805-911 Modular 90° Toilet Grab Rail | Right Hand | PVD Brushed Brass

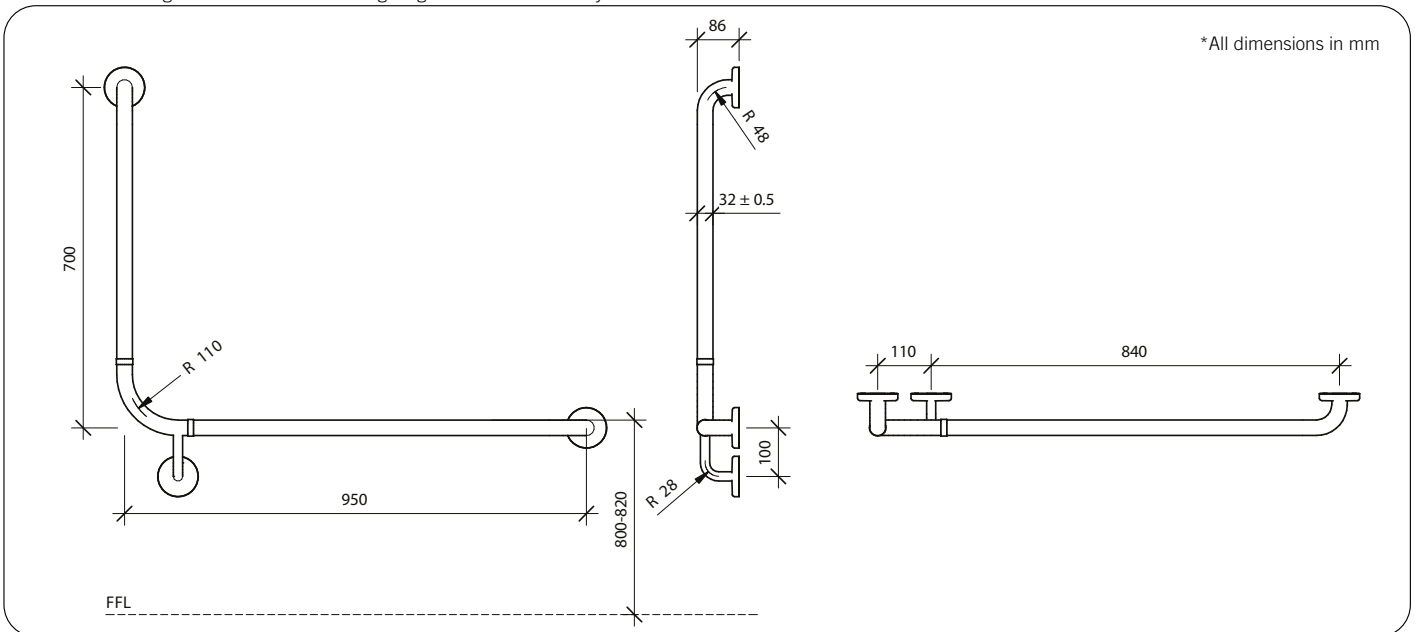
Related Products

- RBA4805-045** Modular Straight Grab Rail 450mm | PVD Brushed Brass
- RBA4805-901** Modular 90° Toilet Grab Rail | Left Hand | PVD Brushed Brass
- RBA4150-101** Accessible Compliant Backrest

Installation

Warning: Grab rails are no stronger than the anchors or walls to which they are attached and must be firmly secured in order to support the loads for which they are intended. Refer to local codes and Installation Instructions for location of fixing points, method of attachment, etc.

For best results, unit should be inspected and cleaned regularly as per the instructions in the RBA Product Warranty, Cleaning Care Guide, available on our websites.
Important: Installation instructions and current rough-in details should be furnished with each fixture. Do not rough in without certified dimensions. Dimensions are subject to manufacturer's tolerance of +/-10mm. Due to the semi-reflective nature of PVD, colours may appear differently depending on surface shape and lighting conditions. RBA recommends viewing fixtures under the same lighting conditions where they are to be installed.



As improvements in the design and performance of RBA products are continuous, specifications may be subject to change without notice. The illustrations and descriptions herein are applicable to production as of the date of this Technical Data Sheet. Revised 02/24 © 2024 by RBA Group TD/Model RBA4805-911/0224