

## Model RBA4805-721



### Materials & Features

Modular PVD-coated shower T-rail kit to meet the requirements of AS1428.1 when installed correctly. Rails are ambidextrous, allowing the vertical rail to be positioned left, right or centre to suit site requirements. PVD coating is a premium coating process in which a solid material is vaporised and slowly layered onto a fixture. This results in a durable, versatile finish that's more environmentally friendly than traditional coating methods. Find out more at [rba.com.au/pvd](http://rba.com.au/pvd).

### Technical Detail

Rail:	32mm [Dia], 304 Satin Stainless Steel
Hose:	1.5m
Finish:	PVD Brushed Brass
Inlet Connection:	DN 15mm [1/2"] BSP
	Includes backflow prevention
Water Pressure:	150-500 kPa
Water Temperature:	50°C Maximum
Flow Rate:	6.0 LPM
WELS:	5 Star
WELS Reg. Number:	S14913

**Available Model**  
RBA4805-721

Modular Shower T-Rail Kit | PVD Brushed Brass

**Related Products**  
B819687  
RBA4171-101  
RBA4805-711

Bobrick Accessible Compliant Folding Shower Seat  
Shower Curtain Rail + 2 Curtains & Hooks  
Modular Shower T-Rail | PVD Brushed Brass

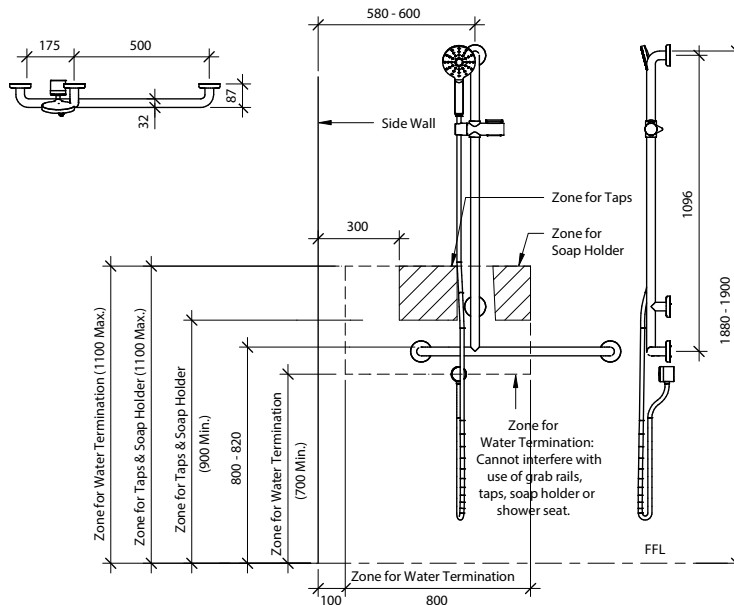
### Installation

Warning: Grab rails are no stronger than the anchors or walls to which they are attached and must be firmly secured in order to support the loads for which they are intended. Refer to local codes and Installation Instructions for location of fixing points, method of attachment, etc.

For best results, unit should be inspected and cleaned regularly as per the instructions in the RBA Product Warranty, Cleaning Care Guide, available on our websites.

**Important:** Installation instructions and current rough-in details should be furnished with each fixture. Do not rough in without certified dimensions. Dimensions are subject to manufacturer's tolerance of +/-10mm. Due to the semi-reflective nature of PVD, colours may appear differently depending on surface shape and lighting conditions. RBA recommends viewing fixtures under the same lighting conditions where they are to be installed.

#### Potential Installation - Left Hand



\*All dimensions in mm



As improvements in the design and performance of RBA products are continuous, specifications may be subject to change without notice. The illustrations and descriptions herein are applicable to production as of the date of this Technical Data Sheet. Revised 02/24 © 2024 by RBA Group TD/Model RBA4805-721/0224