

Model RBA7740-777-018



Materials & Features

Matte black double toilet roll holder in Type 304 stainless steel with Type 304 stainless steel concealed fixing plates for additional strength.

Technical Detail

| | |
|-------------------|--------------------------------|
| Shell and Flange: | 0.8mm Type 304 Stainless Steel |
| Support Posts: | Heavy-duty Cast Zamak |
| Finish: | Matte Black |
| Fixings: | Supplied by others |

Available Models

RBA7740-777-018 Double Toilet Roll Holder | Matte Black

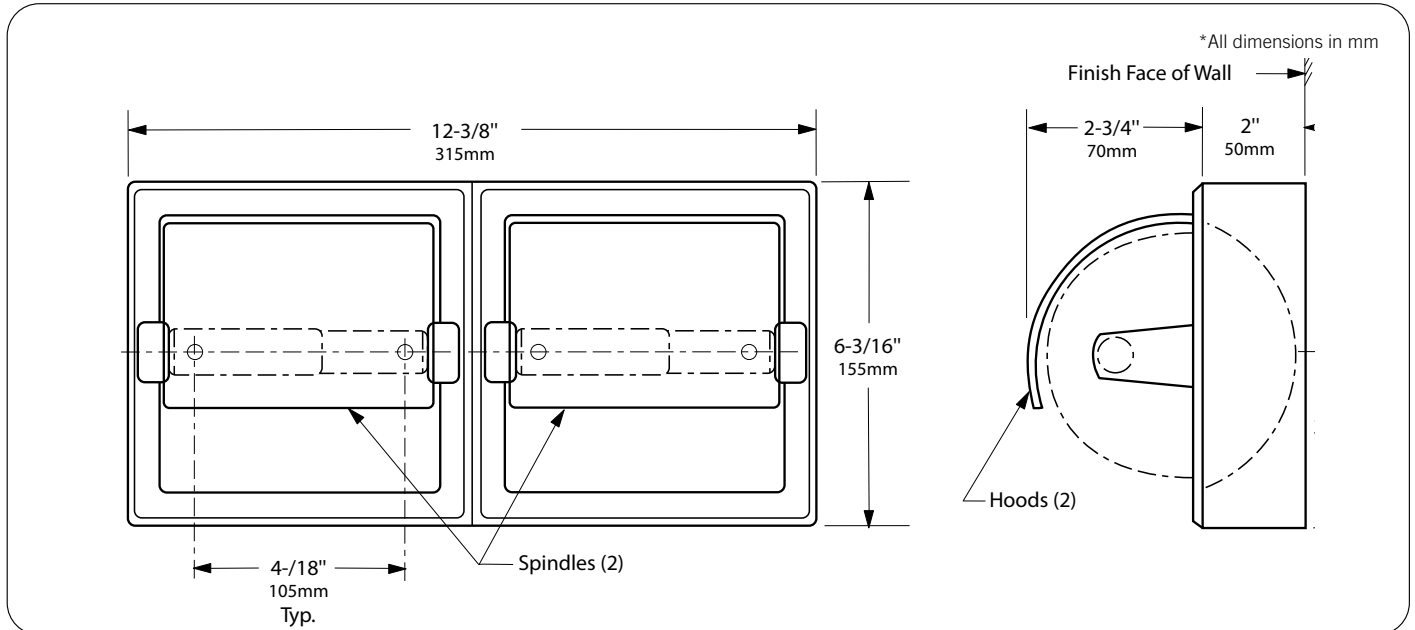
Related Products

RBA7742-777-002 Liquid Soap Dispenser | Matte Black

RBA7742-777-003 Paper Towel Dispenser | Matte Black

RBA7742-777-004 Jumbo Toilet Roll Holder | Matte Black

Important: Installation instructions and current rough-in details should be furnished with each fixture. Do not rough in without certified dimensions. Dimensions are subject to manufacturer's tolerance of +/-10mm.



As improvements in the design and performance of RBA products are continuous, specifications may be subject to change without notice. The illustrations and descriptions herein are applicable to production as of the date of this Technical Data Sheet. Revised 09/23 © 2023 by RBA Group TD/Model RBA7740-777-018/0923