

## Model RBA4901-711

### Materials & Features

Modular stainless steel shower T-rail to meet the requirements of AS1428.1 when installed correctly. Steri+Shield™ is a protective sanitary seal system that prevents the buildup of bacteria and grime. Independent laboratory testing has shown Steri+Shield™ to be up to 99% effective at reducing the microbial growth of common washroom microbes E.Coli and S.Aureus within 24 hours.

### Technical Detail

Rail: 32mm [Dia], 304 Satin Stainless Steel  
 Fixings: Supplied



**Available Model**  
**RBA4901-711**

Steri+Shield™ Shower T-Rail | Satin

**Related Products**  
**B819687**  
**RBA4171-101**  
**RBA4901-722**

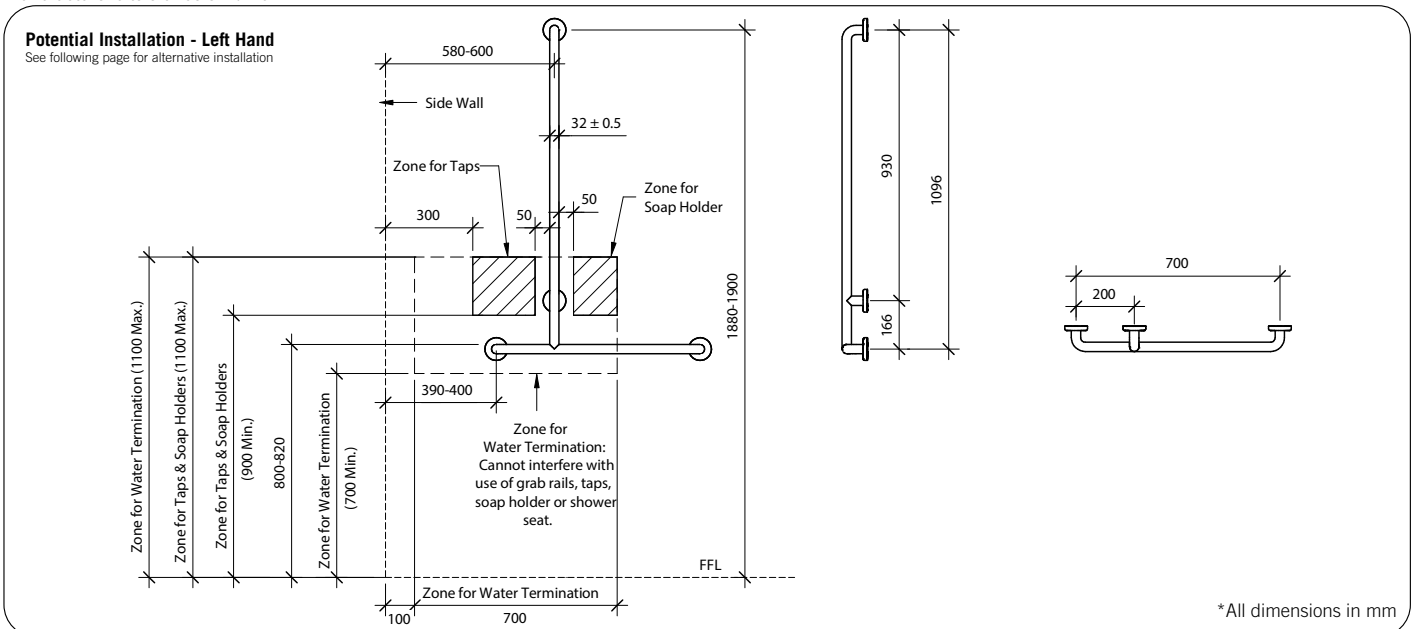
Bobrick Accessible Compliant Folding Shower Seat  
 Shower Curtain Rail + 2 Curtains & Hooks  
 Steri+Shield™ Shower T-Rail Kit & Mixer | Satin

### Installation

Warning: Grab rails are no stronger than the anchors or walls to which they are attached and must be firmly secured in order to support the loads for which they are intended. Refer to local codes and Installation Instructions for location of fixing points, method of attachment, etc.

For best results, unit should be inspected and cleaned regularly as per the instructions in the RBA Product Warranty, Cleaning Care Guide, available on our websites.

Important: Installation instructions and current rough-in details should be furnished with each fixture. Do not rough in without certified dimensions. Dimensions are subject to manufacturer's tolerance of +/-10mm.



## Model RBA4901-711

