

## Models RBA5600-001-850 RBA5600-001-851



### Materials & Features

External surface is satin finish. Internal bowl is bright polished and designed for hygiene, easy cleaning and scale resistance. Supplied with security toilet seat without lid to suit AS1428.1 compliance. Suitable for front or rear fix. P-trap or S-trap variants available [see Available Models below]. Stainless Steel cistern cover provided for vandal resistance.

### Technical Detail

Outlet Connection:	P or S-Trap 100mm OD
Pan Collar:	Standard [by others]
Bowl and Trap:	1.2mm, 304 Satin Stainless Steel
Housing:	1.5-2mm, 304 Satin Stainless Steel
Rear Fix Kit:	4 x M12 bolts [by others]
Front Fix Kit:	4 x M10 expansion bolts [by others]
Flush Pipe Configuration:	50mm PVC Flush Pipe
Cistern:	4.5/3L 4-Star (3.5L avg. flush)
Water Inlet:	15mm water supply to be located for concealed rear entry 425mm off FFL.

### Available Models

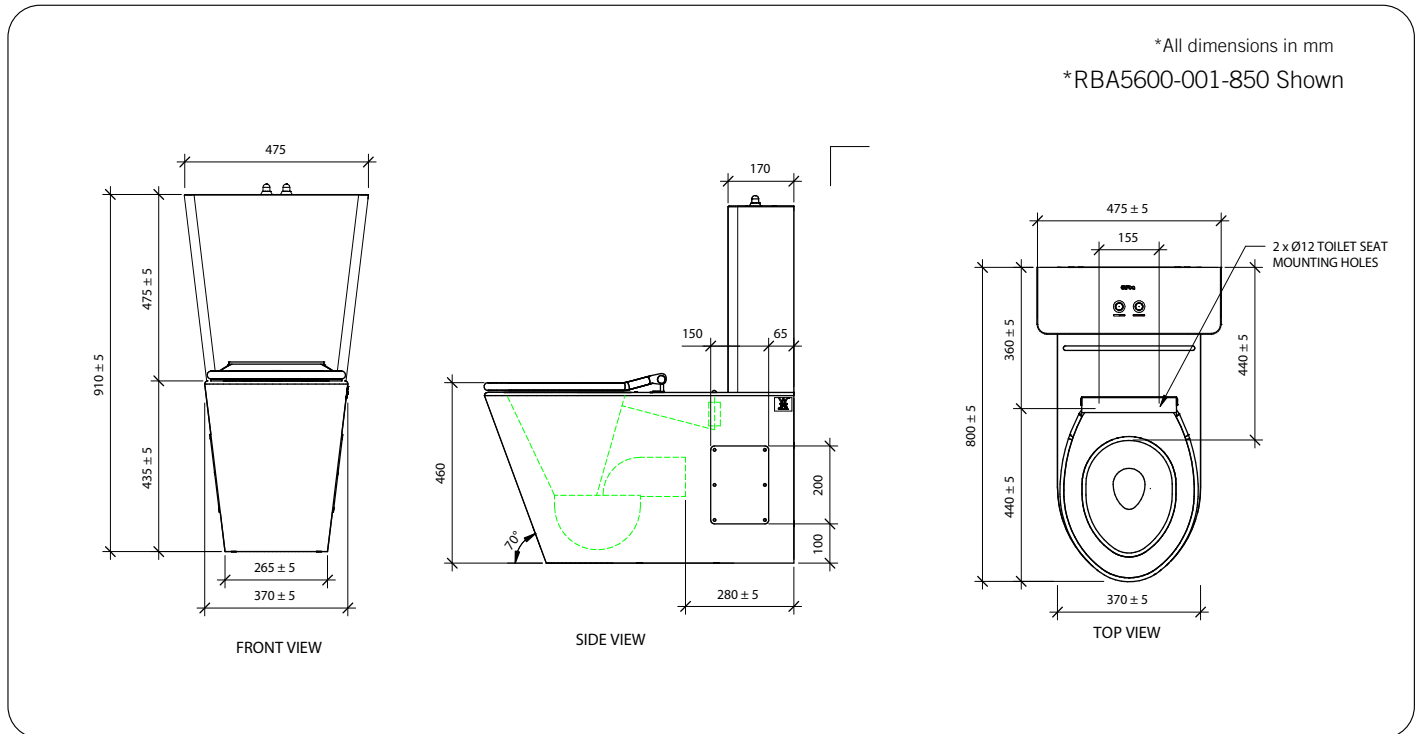
<b>RBA5600-001-850</b>	4 Star Stainless Steel WC Suite 4.5L/3L [Accessible] + Seat [P-Trap]
<b>RBA5600-001-851</b>	4 Star Stainless Steel WC Suite 4.5L/3L [Accessible] + Seat [S-Trap]

### Related Products

<b>RBA5600-001-800</b>	4 Star Stainless Steel WC 4.5L/3L [Accessible] + Seat [P-Trap]
<b>RBA5600-001-801</b>	4 Star Stainless Steel WC 4.5L/3L [Accessible] + Seat [S-Trap]
<b>RBA8186-104</b>	White Round WC seat, no Lid, Suitable for AS1428.1

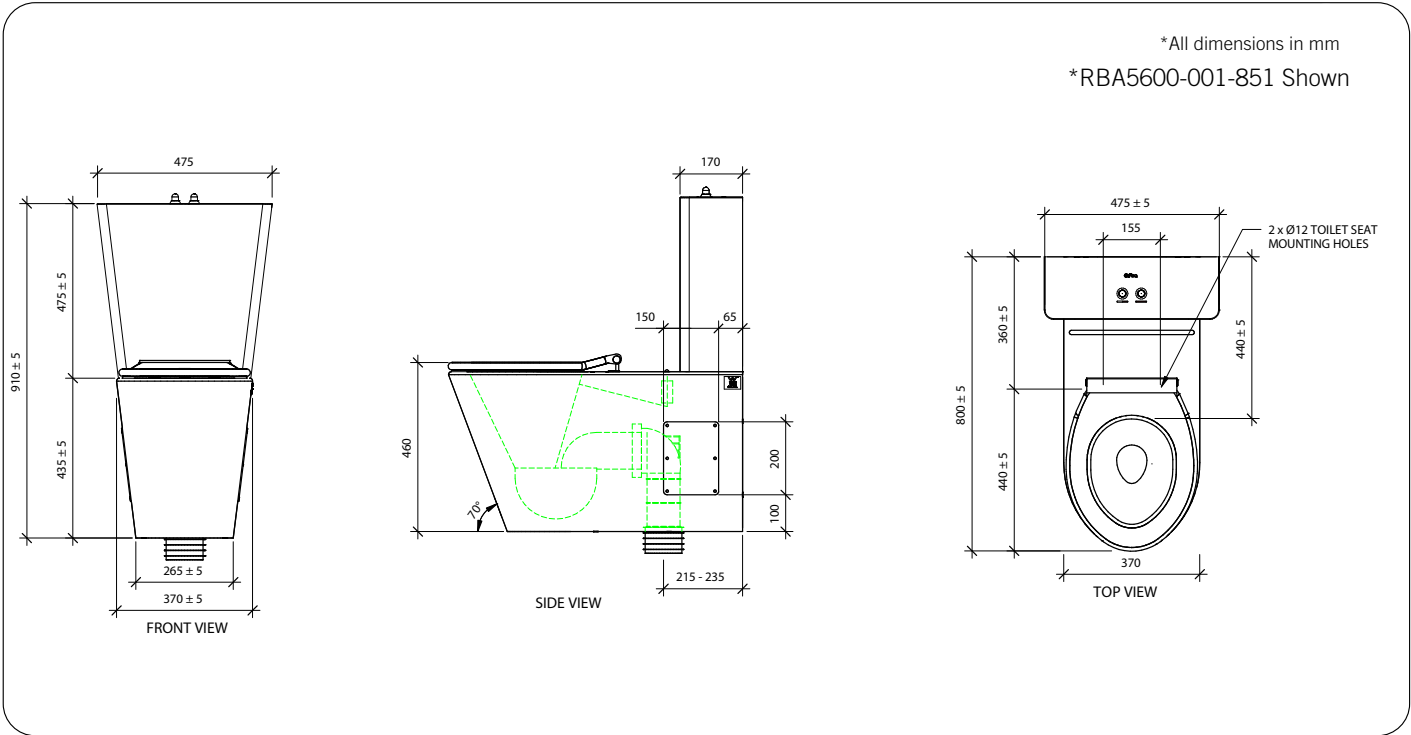
For best results, unit should be inspected and cleaned regularly as per the instructions in the RBA Product Warranty, Cleaning Care Guide, available on our websites.

**Important:** Installation instructions and current rough-in details should be furnished with each fixture. **Do not rough in without certified dimensions.** Dimensions are subject to manufacturer's tolerance of +/-10mm.



As improvements in the design and performance of RBA products are continuous, specifications may be subject to change without notice. The illustrations and descriptions herein are applicable to production as of the date of this Technical Data Sheet. Revised 08/23 © 2023 by RBA Group TD/Model RBA5600-001-850/0823

## Model RBA5600-001-850 & RBA5600-001-851



As improvements in the design and performance of RBA products are continuous, specifications may be subject to change without notice. The illustrations and descriptions herein are applicable to production as of the date of this Technical Data Sheet. Revised 08/23 © 2023 by RBA Group TD/Model RBA5600-001-850/0823