

MODELS

WHITE BARIATRIC DROP DOWN GRAB RAIL

RBA4007-212

White Bariatric Drop Down Rail, Left Hand

RBA4007-213

White Bariatric Drop Down Rail, including Toilet Roll Holder, Left Hand

RBA4007-214

White Bariatric Drop Down Rail, Right Hand

RBA4007-215

White Bariatric Drop Down Rail, including Toilet Roll Holder, Right Hand

RBA4007-216

White Bariatric Drop Down Rail, including Nurse Call Button [Comms by Others], Left Hand

RBA4007-217

White Bariatric Drop Down Rail, including Nurse Call Button [Comms by Others], Right Hand



Description

Drop down grab rail, fabricated from 38mm [Dia] type 304 stainless steel. All exposed surfaces are electropolished and corners ground to a rounded surface.

Pre-Installation

1. Fixings are to be supplied by others. RBA recommends M12 or equivalent screw to suit install location.
2. Measure site to ensure correct size and location. Where required, ensure unit is installed to meet local building codes and specifiers instructions.
3. Ensure wall construction in fixing locations are able to support the unit, and the loads it will be subjected to.
4. This unit should be installed by suitably qualified persons, in a fit for purpose application, with suitable materials where required.

Installation

1. Verify that product supplied matches the provided rough in dimensions before drilling.
2. Using the dimensions provided, mark up mounting locations on wall to meet mounting heights specified in AS1428.1. Please note that these grab rails are NOT suitable for accessible or ambulant-compliant installations.
3. Place the rail on the wall in the horizontal position to verify all marking holes are correct.



4. Secure unit to wall at all 4 mounting points using suitable fixings.
5. Check to see if rail moves freely from horizontal to vertical position, and locks in the vertical position. Pull the loading knob near the hinge to release the rail from the vertical position and slowly lower back to horizontal.
6. Apply a small amount of force to release the support leg, slowly lower until it is locked into position. To fold back up, pull the loading knob located near its hinge to release, slowly lift leg back up and apply a small amount of force to lock it into position.



7. Adjust the foot on the bottom of support leg and the foot on the back of rail to its desired length as to support the rail in a horizontal position. Lock nut securely into position against the bottom of the support leg to prevent movement.
8. The drop down grab rail can be folded up when not in use.

Operation & Maintenance

The rail can be lowered to the horizontal position by pulling the loading knob and slowly lowering it. The support leg can then be lowered by applying a small force to release and slowly lowering it until it enter the locked position.

The rail can sit in the horizontal position to provide assistance to the user. The rail can then be folded up back into the vertical position when not in use.

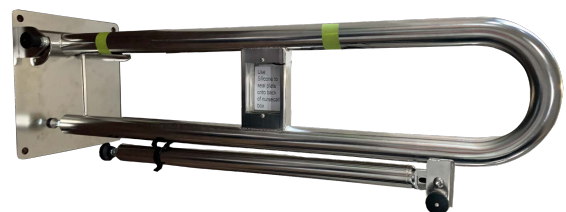
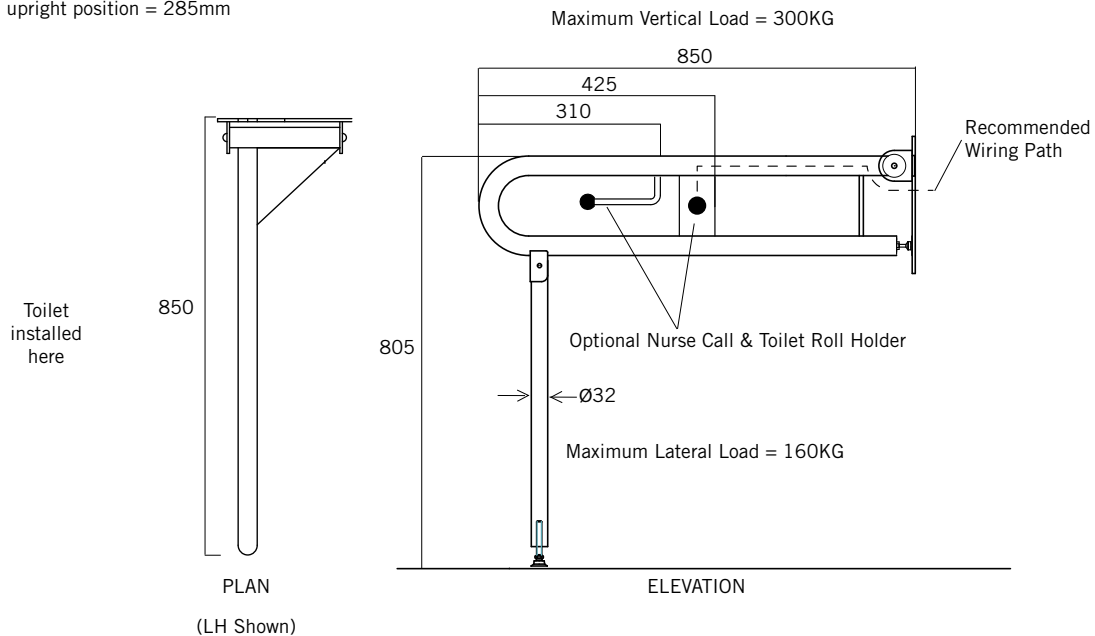
Unit should be inspected regularly to ensure correct function of the drop down arm mechanism, no deformation of the structure and that there are no general wear and tear issues that may affect performance or safety. Hinge-bolt may be tightened to ensure rail stays in the upright position when required.

For best results, unit should be inspected and cleaned regularly as per the instructions in the RBA Product Warranty, Cleaning Care Guide, available on our websites.

Wiring Nurse Call Button

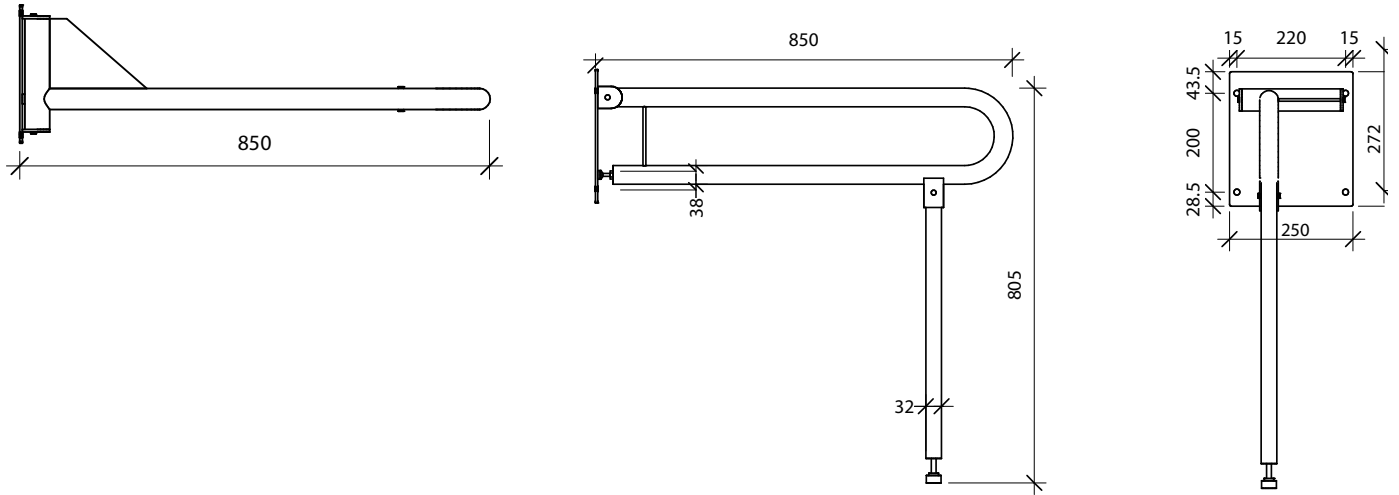
- The nurse-call cavity is sized to suit most standard Australian power socket wall plates with 84mm centre-to-centre screw fixings.
- Wiring can run through conduit underneath the hinge or through optional wiring hole [by others] as shown on rough in.
- Attach the wire to the string protruding from the rail nearest the main hinge.
- Feed and pull the wire through using the string until it comes out of the button cavity,

Note: Wall clearance when in upright position = 285mm

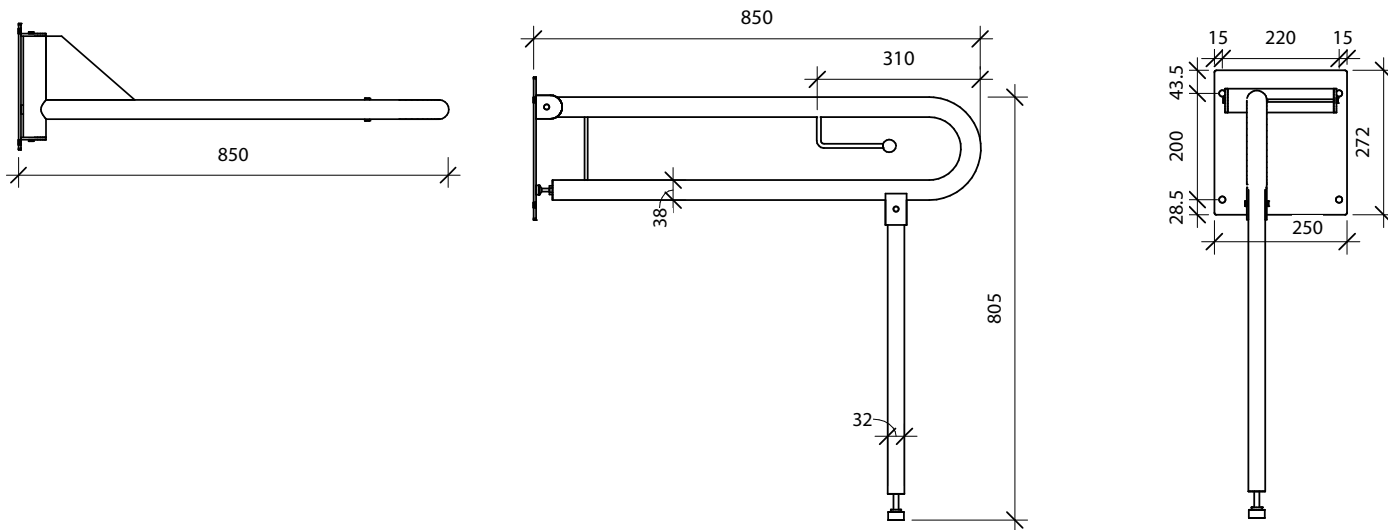


Dimensions & Rough In

RBA4007-212

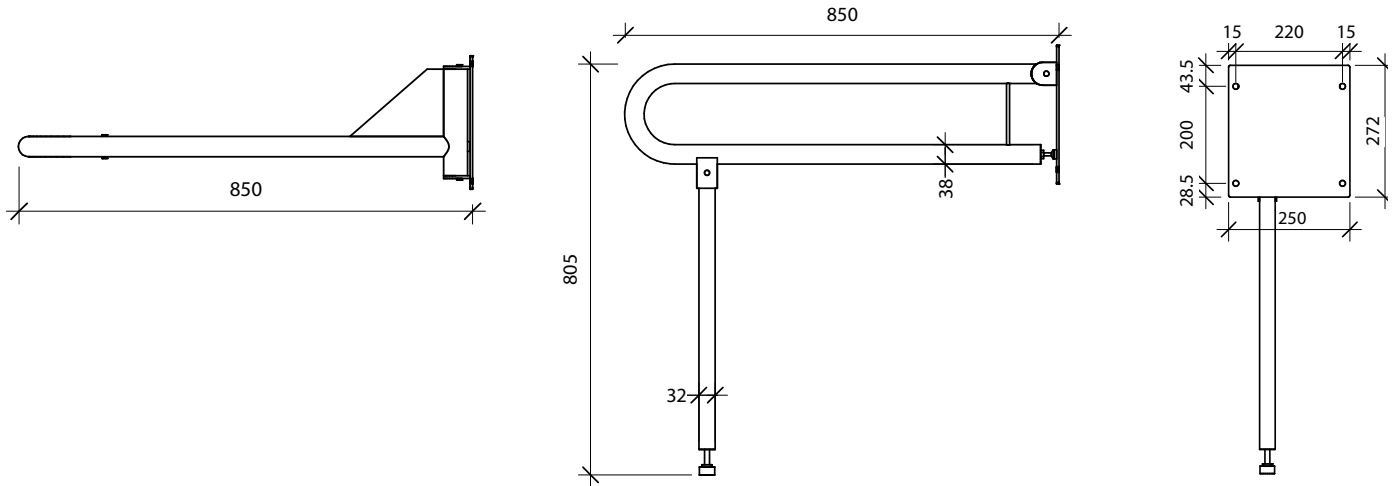


RBA4007-213

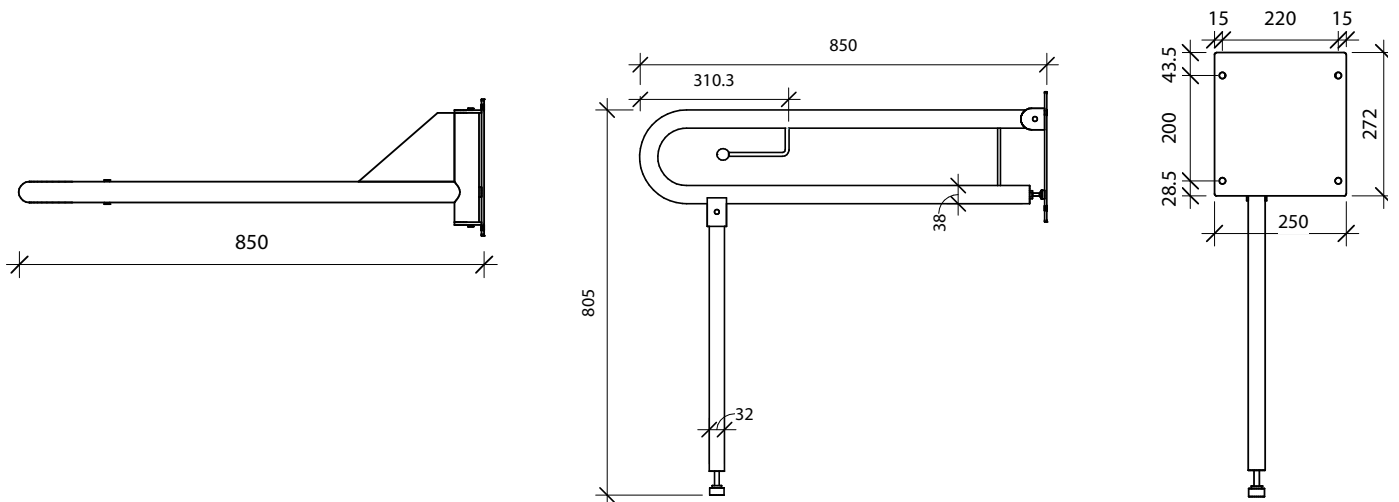


Dimensions & Rough In

RBA4007-214

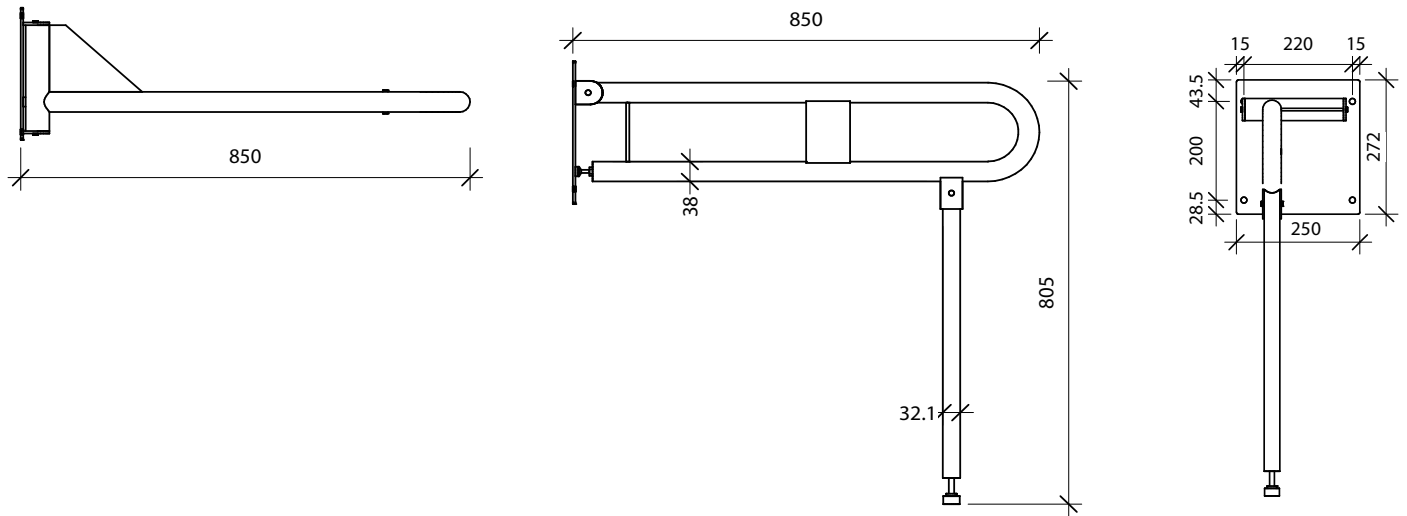


RBA4007-215

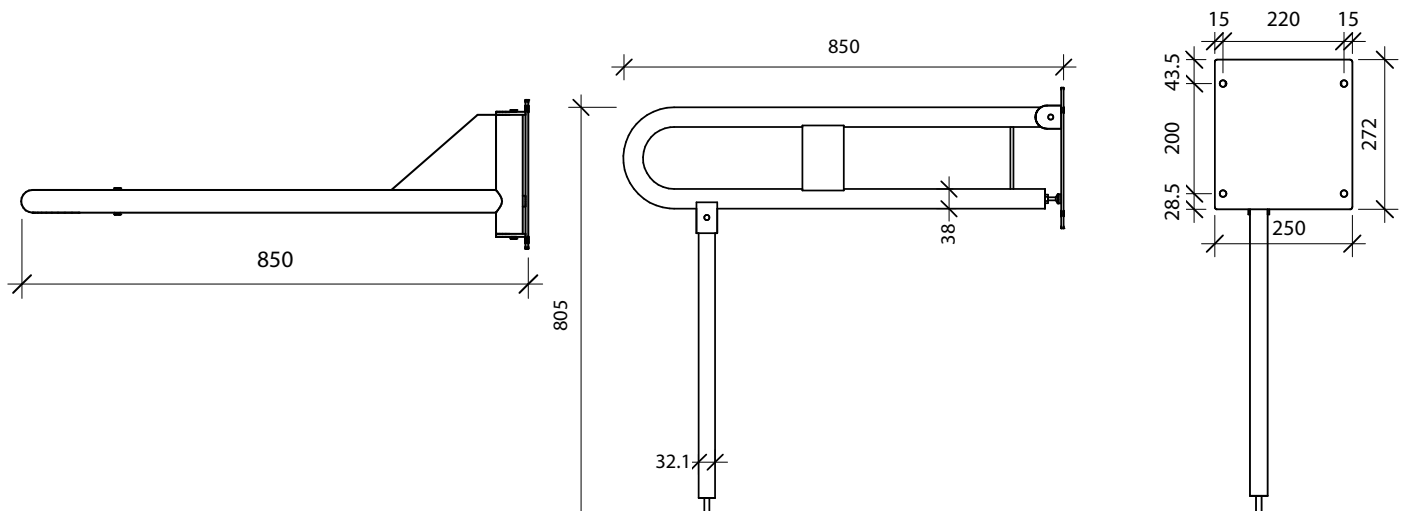


Dimensions & Rough In

RBA4007-216



RBA4007-217



Warning: Grab rails are no stronger than the anchors or walls to which they are attached and must be firmly secured in order to support the loads for which they are intended.

Note: This product should be installed, by suitably qualified persons, in a fit for purpose application, to suitable materials, using suitable fixings and to comply with any relevant codes. It should be inspected periodically for signs of wear and tear that may affect performance or safety.

Dimensions are subject to manufacturer's tolerance of +/-10mm. Rough-in should be completed with each fixture.

Important: Installation Instructions are subject to change without notice.

Please visit **our websites** for latest revision.