

## Model RBA4801-911



### Materials & Features

Modular stainless steel 90° WC grab rail to meet the requirements of AS1428.1 when installed correctly. Snap flange cover conceals fixings after installation.

### Technical Detail

Rail 32mm [Dia], 304 Satin Stainless Steel  
 Fixings Supplied

### Available Model

**RBA4801-911** Modular 90° Toilet Grab Rail | Right Hand

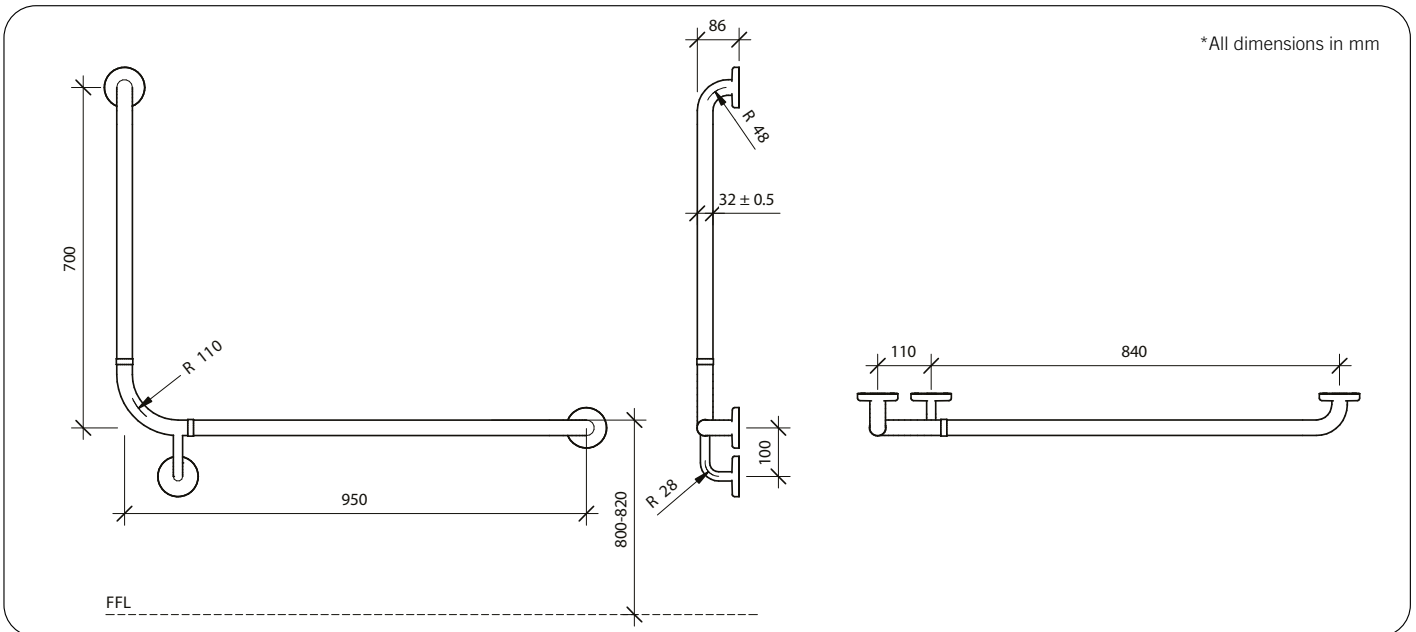
### Related Products

**RBA4801-040** Modular Straight Grab Rail 400mm  
**RBA4801-901** Modular 90° Toilet Grab Rail | Left Hand  
**RBA4150-101** Accessible Compliant Backrest

### Installation

Warning: Grab rails are no stronger than the anchors or walls to which they are attached and must be firmly secured in order to support the loads for which they are intended. Refer to local codes and Installation Instructions for location of fixing points, method of attachment, etc.

**Important:** Installation instructions and current rough-in details should be furnished with each fixture. Do not rough in without certified dimensions. Dimensions are subject to manufacturer's tolerance of +/-10mm.



As improvements in the design and performance of RBA products are continuous, specifications may be subject to change without notice. The illustrations and descriptions herein are applicable to production as of the date of this Technical Data Sheet. Revised 03/23 © 2023 by RBA Group TD/Model RBA4801-911/0323